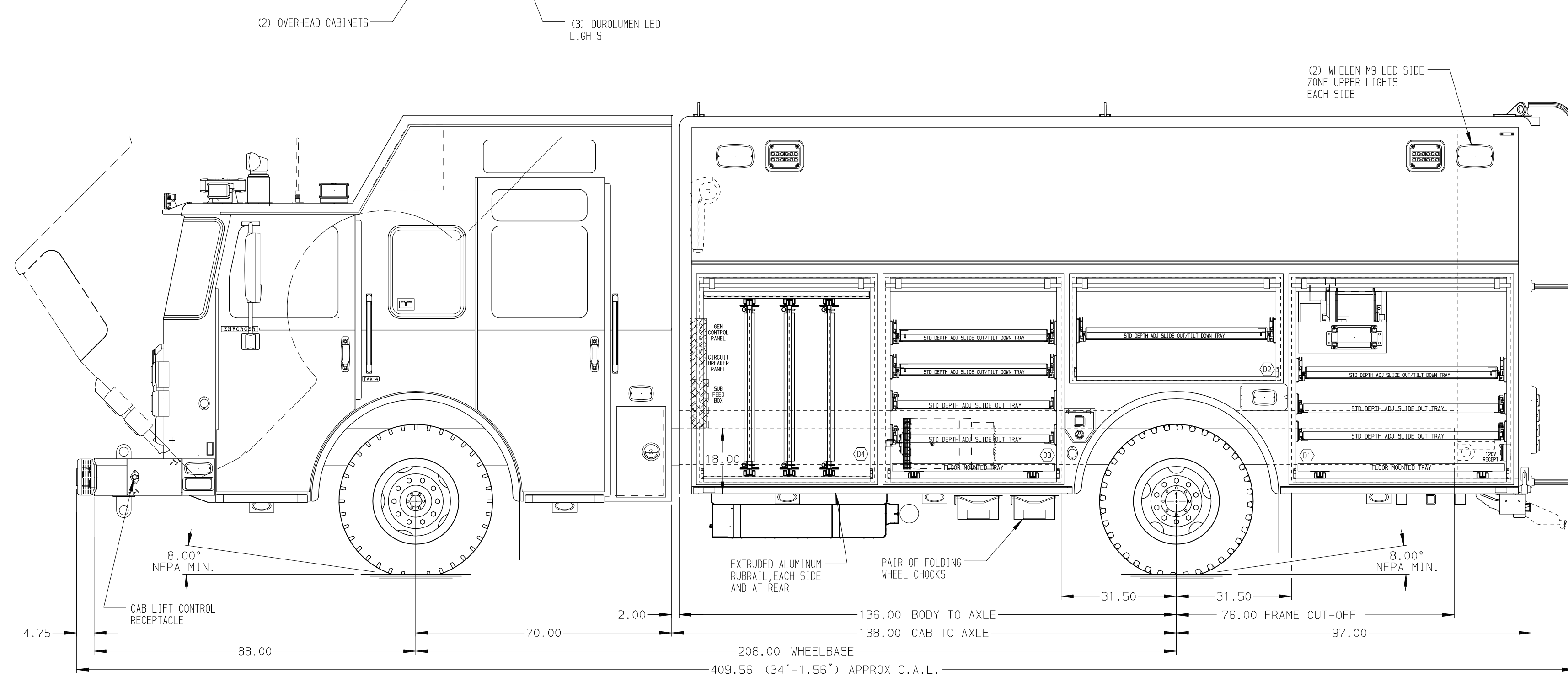
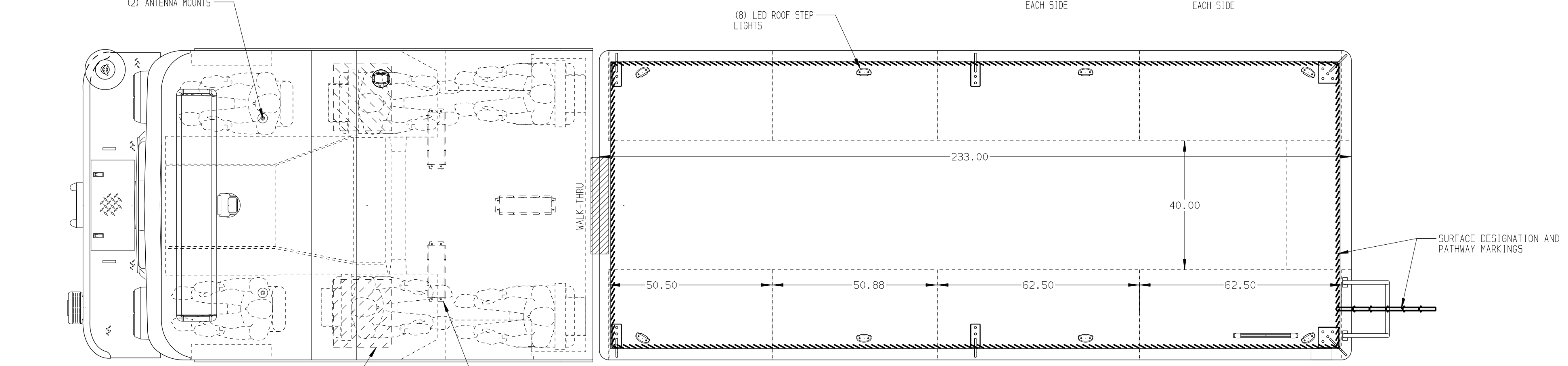
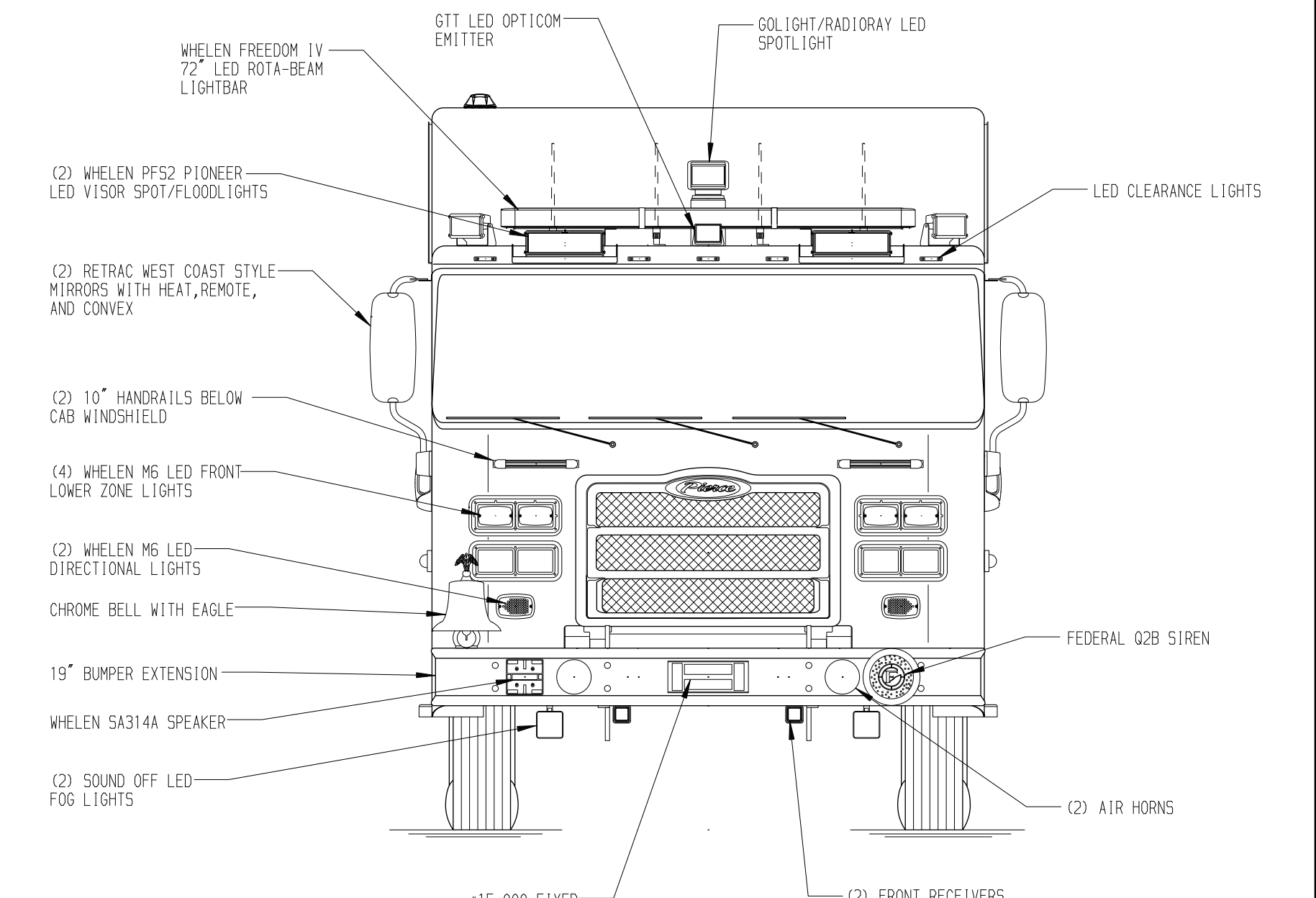
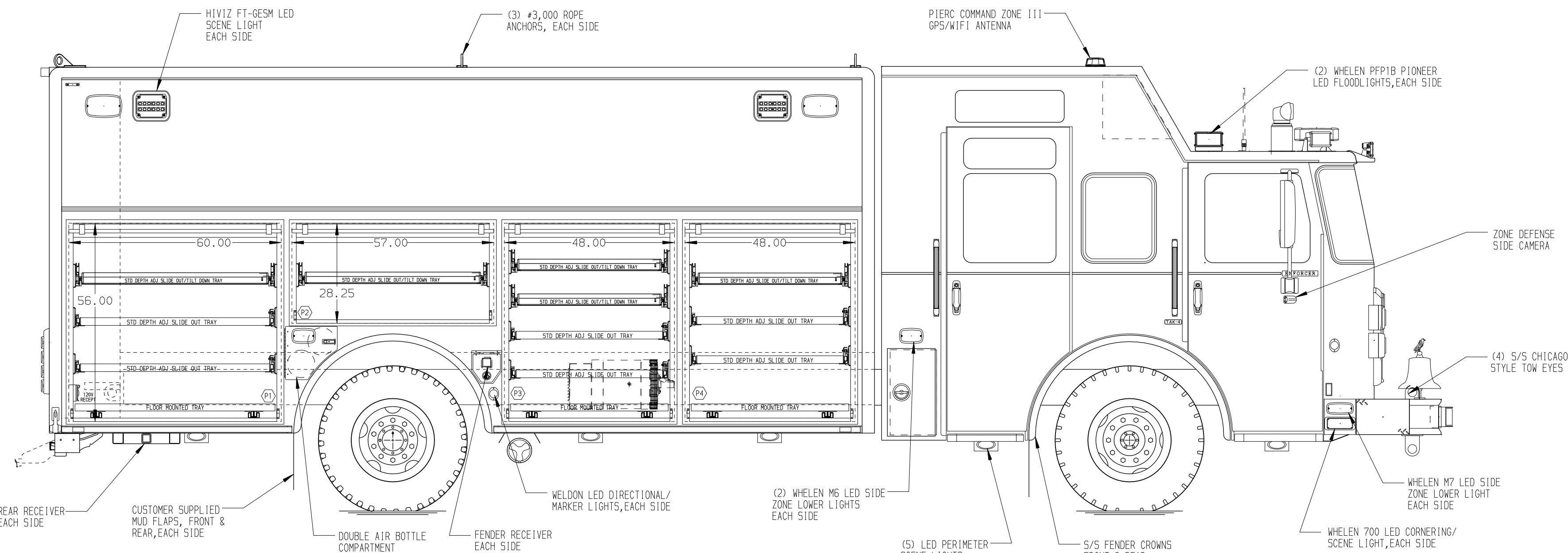


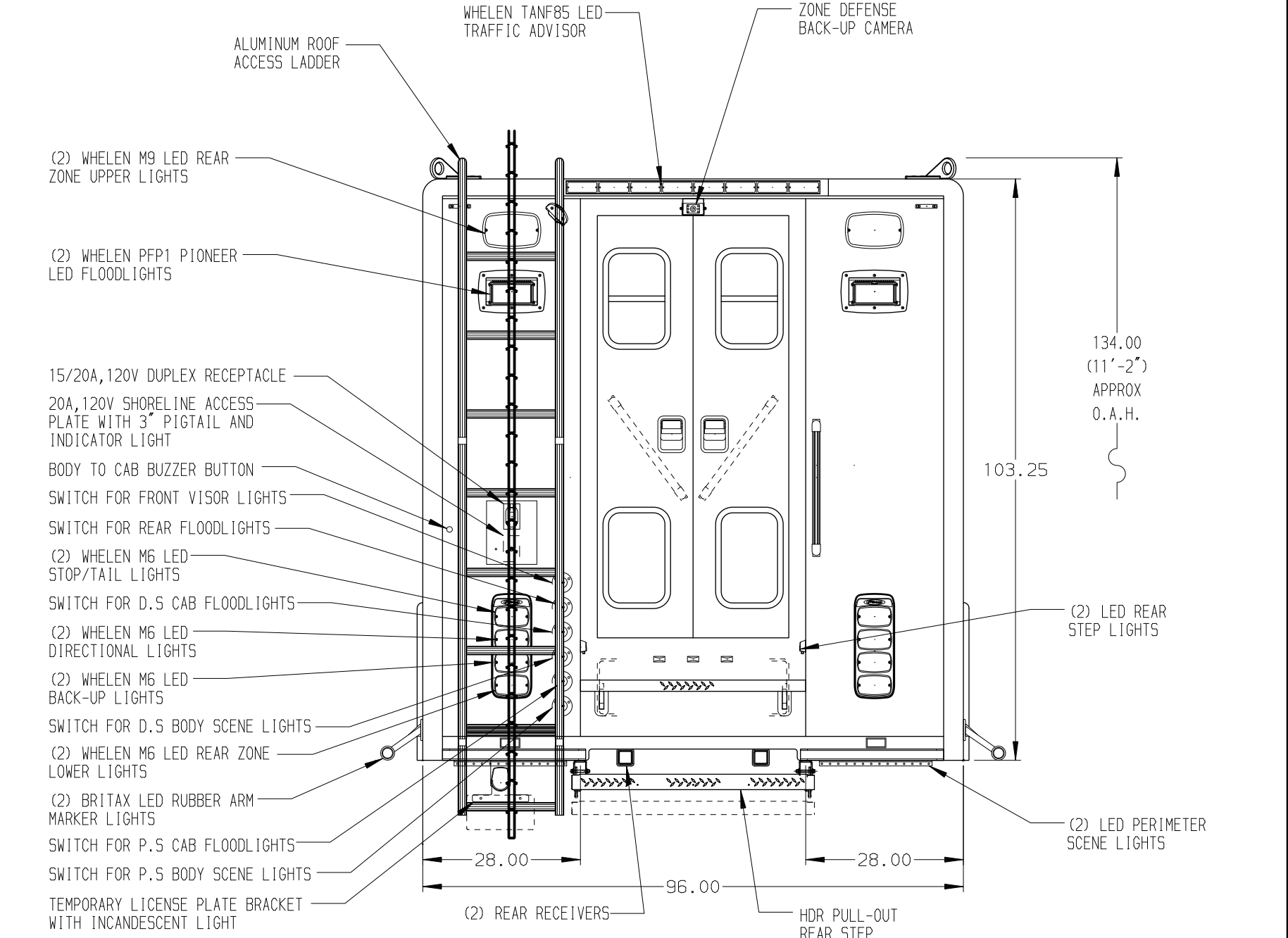
PASSENGER'S SIDE COMPARTMENTS CONTAIN THE FOLLOWING:

- COMPARTMENT P1 CONTAINS:
 - (2) STD DEPTH ADJ SLIDE OUT TRAYS
 - (1) STD DEPTH ADJ SLIDE OUT/TILT TRAY
 - (1) FLOOR MOUNTED TRAY
 - (1) 20A, 120V TL RECEPTACLE
- COMPARTMENT P2 CONTAINS:
 - (1) STD DEPTH ADJ SLIDE OUT/TILT TRAY
- COMPARTMENT P3 CONTAINS:
 - (2) STD DEPTH ADJ SLIDE OUT TRAYS
 - (2) STD DEPTH ADJ SLIDE OUT/TILT TRAYS
 - (1) FLOOR MOUNTED TRAY
- COMPARTMENT P4 CONTAINS:
 - (2) STD DEPTH ADJ SLIDE OUT TRAYS
 - (3) STD DEPTH ADJ SLIDE OUT/TILT TRAY
 - (1) FLOOR MOUNTED TRAY



DRIVER'S SIDE COMPARTMENTS CONTAIN THE FOLLOWING:

- COMPARTMENT D1 CONTAINS:
 - (2) STD DEPTH ADJ SLIDE OUT TRAYS
 - (1) STD DEPTH ADJ SLIDE OUT/TILT TRAY
 - (1) FLOOR MOUNTED TRAY
 - (1) ELECTRIC CORD REEL WITH 200' OF 10/4 BLACK CORD
 - (1) ON SCENE ROLLER GUIDE EXTENSION
 - (1) 20A, 120V TL RECEPTACLE
- COMPARTMENT D2 CONTAINS:
 - (1) STD DEPTH ADJ SLIDE OUT/TILT TRAY
- COMPARTMENT D3 CONTAINS:
 - (2) STD DEPTH ADJ SLIDE OUT TRAYS
 - (2) STD DEPTH ADJ SLIDE OUT/TILT TRAYS
 - (1) FLOOR MOUNTED TRAY
- COMPARTMENT D4 CONTAINS:
 - (3) STD DEPTH ADJ SLIDE OUT PAC TRAC TOOLBOARDS
 - CIRCUIT BREAKER PANEL
 - SUB FEED PANEL
 - GENERATOR METER PANEL



NOTE
 DIMENSIONS SHOWN ARE APPROXIMATE AND ARE SUBJECT TO MINOR DEVIATIONS AS MAY OCCUR OR BE NECESSARY IN CONSTRUCTION. MINOR DETAILS NOT SHOWN.

- NOTES:**
- ONAN 25kW SINGLE PHASE PTO DRIVEN GENERATOR WITH SPLASH GUARD LOCATED BETWEEN THE FRAME RAILS
 - AIR INLET/OUTLET WITH DISCONNECT FITTING LOCATED IN DRIVER'S STEP WELL OF CAB
 - IMMERSION HEATER INLET LOCATED BEHIND THE DRIVER'S SEAT
 - POLISHED S/S SCUFFPLATES ON CAB DOOR JAMBS
 - FLOOR IN CAB AND CREW CAB TO BE PADDED RUBBER
 - 10TA 45 AMP CHARGER LOCATED BEHIND THE DRIVER'S SEAT
 - PULL STRAPS FOR ALL BODY EXTERIOR COMPARTMENT DOORS
 - S/S GUARDS OVER ALL ROLL-UP DOORS
 - LED LIGHT STRIPS IN ALL BODY COMPARTMENTS
 - TURTLE TILE ON ALL BODY COMPARTMENT SHELVES AND TRAYS
 - TURTLE TILE ON FLOORS OF COMPARTMENTS D2 AND P2
 - (B) POLY TOOL BOXES SHIPPED LOOSE
 - COMPARTMENT VENTILATION SYSTEM FOR ALL EXTERIOR BODY COMPARTMENTS

(SIDE ROLL AND FRONTAL IMPACT PROTECTION)

CLEAR DOOR WIDTH KEY		REV	DATE	BY	CH
AMOR ROLL UP DOORS:	-2 1/4"				
CURTILE ROLL UP DOORS:	-2 1/2"				
PIERCE DOUBLE LIP DOORS:	-4 1/4"	08JAN18	DHE	AZU	
PIERCE LIFT-UP LIP DOORS:	-1 1/2"	17NOV17	ALZ	AZU	
(EX: 60" F-F - 2 1/4" = 57 3/4" CLEAR) (F-F) = FRAME TO FRAME		28SEP17	DHE	CDK	

		JOB NO.	31688
		SCALE	DATE
TITLE	HEAVY DUTY RESCUE WALKIN	DRAWN BY	DHE
FOR	PORTLAND FIRE & RESCUE PORTLAND, OR	CHECKED BY	AZU
DWG NO.	31688AD-SH1	SHEET SIZE	SHEET NO.
			1 OF 2