

PASSENGER'S SIDE COMPARTMENTS CONTAIN THE FOLLOWING:

COMPARTMENT P1 CONTAINS:

- (1) FLOOR MOUNTED SLIDE OUT TRAY
- (1) FLOOR MOUNTED SLIDE OUT TRAY WITH TOOLBOARD
- (1) VERTICAL PEGBOARD COMPARTMENT DIVIDER
- (1) STD DEPTH ADJ SHELF
- (1) TOOL AIR OUTLET
- ALUMINUM PEGBOARD ON SIDE AND REAR WALLS

COMPARTMENT P2 CONTAINS:

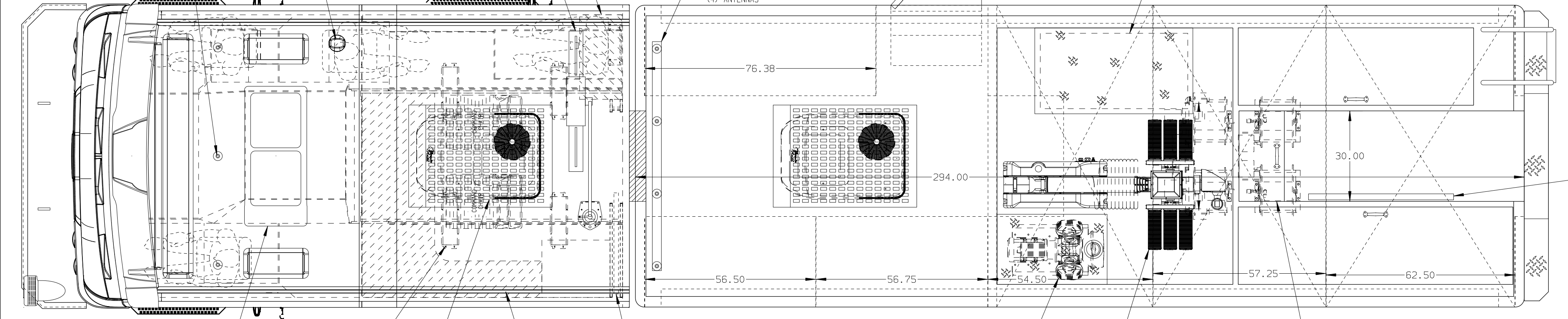
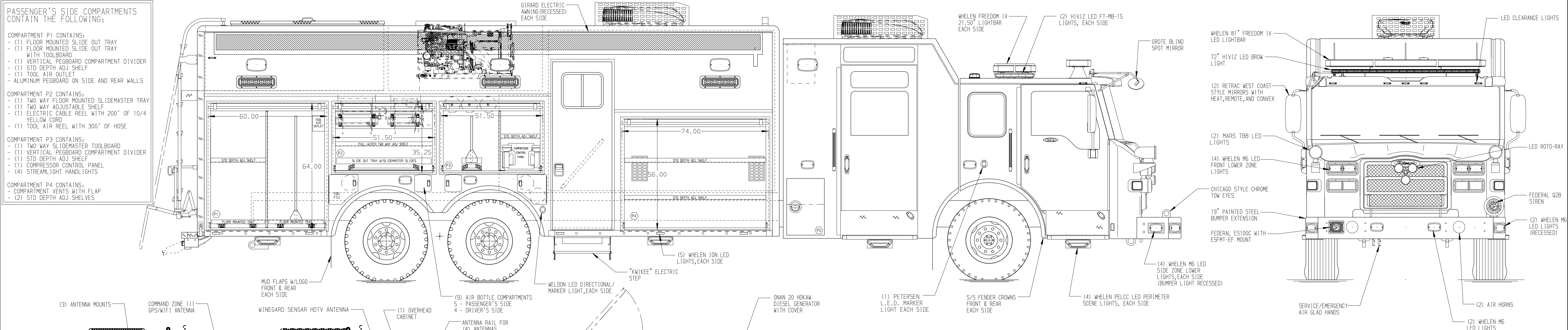
- (1) TWO WAY FLOOR MOUNTED SLIDEMASTER TRAY
- (1) TWO WAY ADJUSTABLE SHELF
- (1) ELECTRIC CABLE REEL WITH 200' OF 10/4 YELLOW CORD
- (1) TOOL AIR REEL WITH 300' OF HOSE

COMPARTMENT P3 CONTAINS:

- (1) TWO WAY SLIDEMASTER TOOLBOARD
- (1) VERTICAL PEGBOARD COMPARTMENT DIVIDER
- (1) STD DEPTH ADJ SHELF
- (1) COMPRESSOR CONTROL PANEL
- (4) STREAMLIGHT HANDLIGHTS

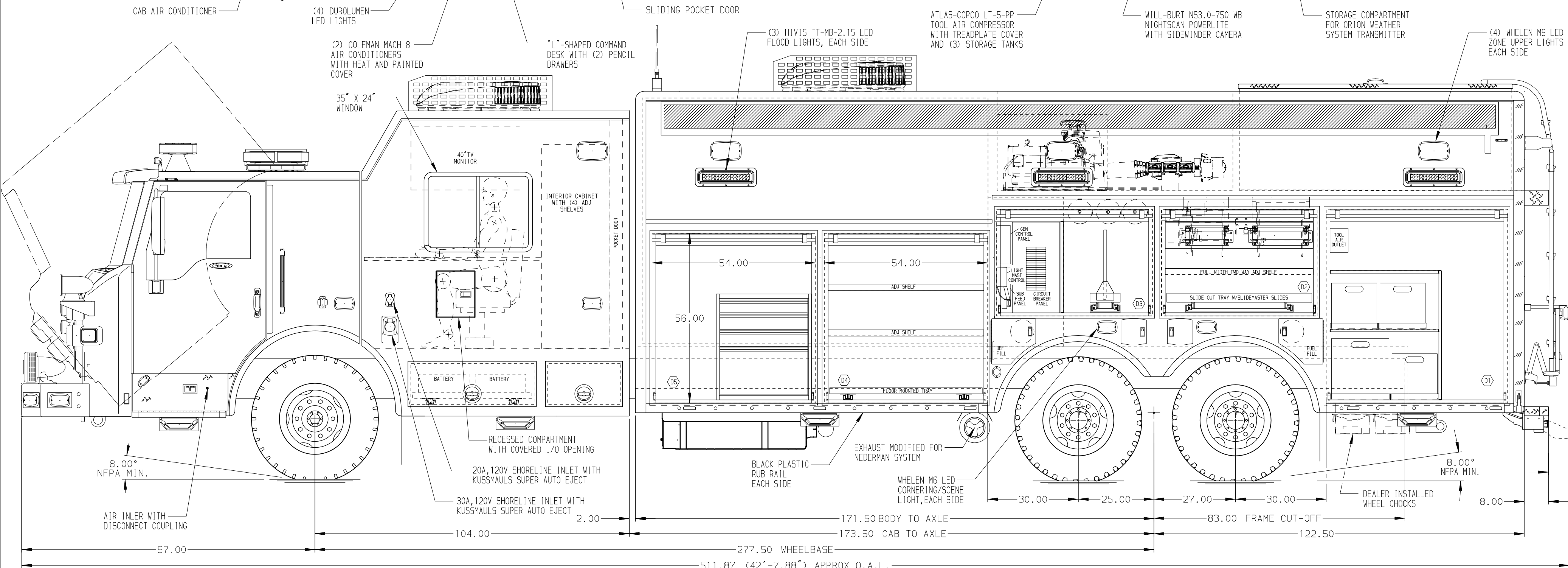
COMPARTMENT P4 CONTAINS:

- COMPARTMENT VENTS WITH FLAP
- (2) STD DEPTH ADJ SHELVES



REAR COMPARTMENT CONTAINS THE FOLLOWING:

COMPARTMENT R1 CONTAINS:



DRIVER'S SIDE COMPARTMENTS CONTAIN THE FOLLOWING:

COMPARTMENT D1 CONTAINS:

- (1) VERTICAL PEGBOARD COMPARTMENT DIVIDER
- (2) HORIZONTAL COMPARTMENT DIVIDERS
- (4) SPECIAL SIZED POLY TOOL BOXES
- (1) TOOL AIR OUTLET
- ALUMINUM PEGBOARD ON SIDE AND REAR WALLS

COMPARTMENT D2 CONTAINS:

- (1) TWO WAY FLOOR MOUNTED SLIDEMASTER TRAY
- (1) TWO WAY ADJUSTABLE SHELF
- (1) ELECTRIC CABLE REEL WITH 200' OF 10/4 YELLOW CORD
- (1) TOOL AIR REEL WITH 300' OF HOSE

COMPARTMENT D3 CONTAINS:

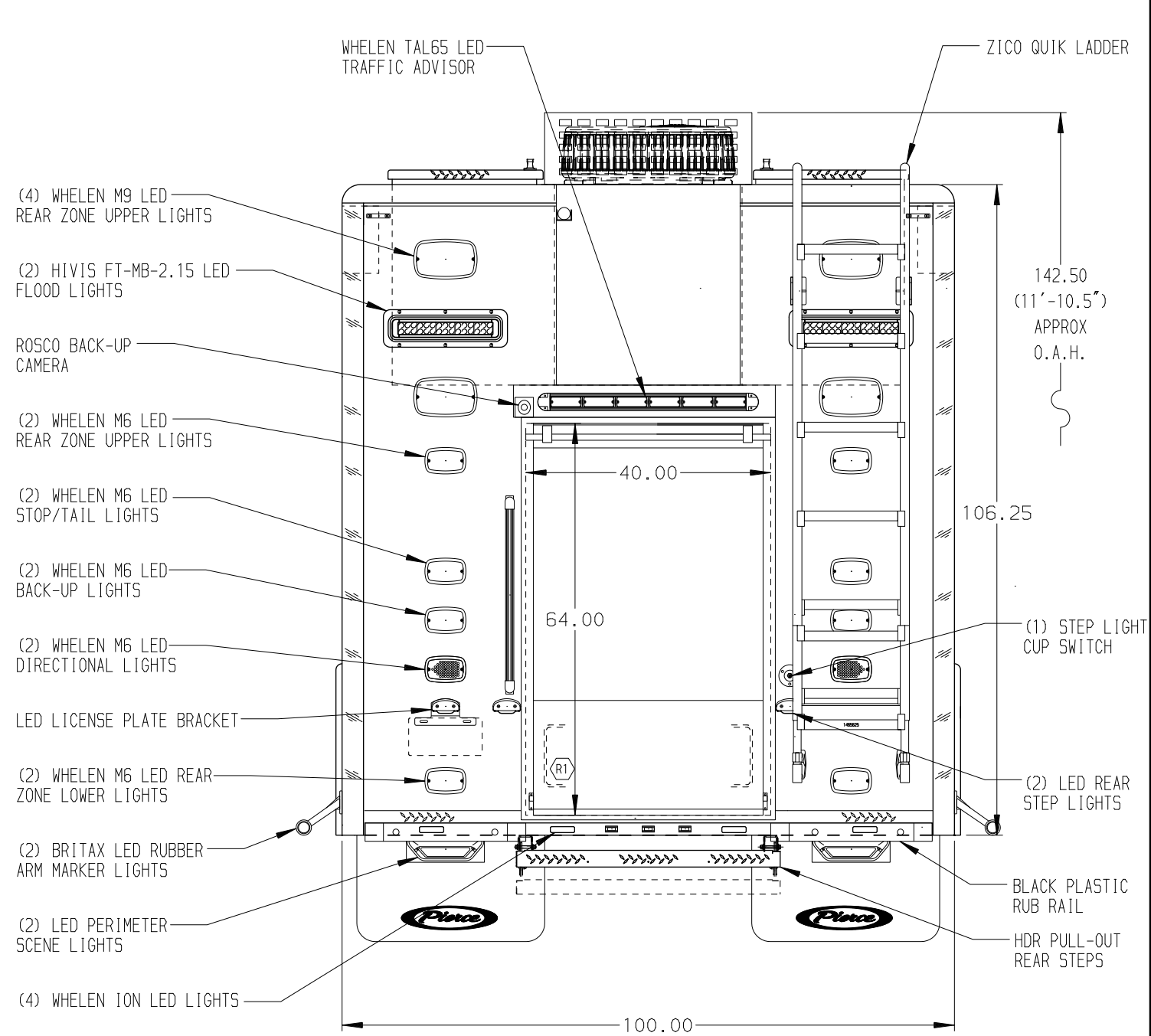
- (1) TWO WAY SLIDEMASTER TOOLBOARD
- (1) VERTICAL PEGBOARD COMPARTMENT DIVIDER
- (1) CIRCUIT BREAKER PANEL
- (1) GENERATOR METER PANEL
- (1) NIGHT SCAN CONTROLLER
- (2) SUB FEED PANELS

COMPARTMENT D4 CONTAINS:

- (1) STD DEPTH FLOOR MOUNTED TRAY
- (2) STD DEPTH ADJ SHELVES

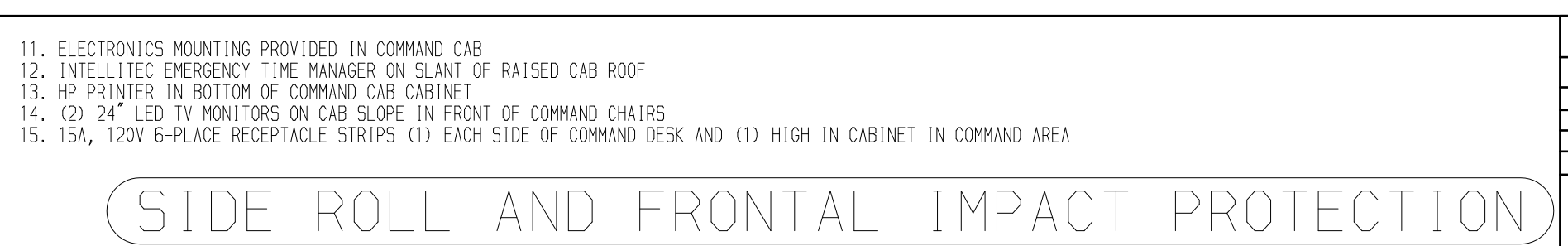
COMPARTMENT D5 CONTAINS:

- (1) 4-DRAWER C-TECH CABINET



NOTE: DIMENSIONS SHOWN ARE APPROXIMATE AND ARE SUBJECT TO MINOR DEVIATIONS AS MAY OCCUR OR BE NECESSARY IN CONSTRUCTION. MINOR DETAILS NOT SHOWN.

- NOTES:
- 5/S SCUFFPLATES ON CAB AND CREW CAB DOOR JAMBS
  - FLOOR IN CAB AND CREW CAB TO BE PADDED RUBBER
  - DAVID CLARK 7-POSITION INTERCOM SYSTEM
  - KUSSMAUL PUMP PLUS 1200 CHARGER LOCATED BEHIND THE DRIVER'S SEAT
  - BATTERY CHARGE INDICATOR LOCATED IN DRIVER'S STEP AREA
  - 5/S SCUFFPLATES AROUND DEF AND FUEL FILL OPENINGS
  - 5/S GUARDS ON ALL BODY ROLL-UP DOORS
  - PIERCE DUAL LED LIGHTS STRIPS IN ALL BODY COMPARTMENTS
  - (2) ADDITIONAL SHELF TRACKS ON REAR WALL OF COMPARTMENT P4 AND IN EACH HATCH COMPARTMENT
  - ELECTRONICS MOUNTING PROVIDED IN COMMAND CAB
  - INTELLITEC EMERGENCY TIME MANAGER ON SLANT OF RAISED CAB ROOF
  - HP PRINTER IN BOTTOM OF COMMAND CAB CABINET
  - (2) 24\"/>



| CLEAR DOOR WIDTH KEY      |         | REV     | DATE | BY  | CH | CHASSIS DATA | TITLE                          |
|---------------------------|---------|---------|------|-----|----|--------------|--------------------------------|
| AMDR ROLL UP DOORS:       | -1 7/8" | 03JAN17 | DHE  | AZU |    |              | HEAVY DUTY RESCUE HAZ-MAT UNIT |
| CORTITE ROLL UP DOORS:    | -2 3/4" | 28OCT16 | ALZ  | AZU |    | MAKE         | PRINCE GEORGE'S COUNTY         |
| PIERCE DOUBLE LAP DOORS:  | -4 1/4" | 27OCT16 | ALZ  | AZU |    | PIERCE       | PRINCE GEORGE'S COUNTY, MD     |
| PIERCE LIFT-UP LAP DOORS: | -1 1/2" | 08JUN16 | DHE  | AZU |    | MODEL        | RANDY SCHWARTZ                 |
| (EX: 60\"/>               |         |         |      |     |    |              |                                |

**Pierce MANUFACTURING INC.**

JOB NO. 29483

SCALE 1:24 DATE

DRAWN BY DHE 17MAY16

CHECKED BY AZU 20MAY16

SHEET SIZE D SHEET NO. 1 OF 1

DWG NO. 29483AD-SH1

(SIDE ROLL AND FRONTAL IMPACT PROTECTION)