

**PASSENGER'S SIDE COMPARTMENTS CONTAIN THE FOLLOWING:**

**COMPARTMENT P1 CONTAINS:**

- (1) WINCH POWER RECEPTACLE
- (1) STD DEPTH ADJ SHELF
- (1) VERTICAL COMPARTMENT DIVIDER
- (1) ELECTRIC CORD REEL W/200' OF 10/4 BLACK CORD
- (1) SLIDE OUT ROLLER GUIDE BRACKET
- (1) 15A, 120V DUPLEX RECEPTACLE
- (1) POLY TOOL BOX

**COMPARTMENT P2 CONTAINS:**

- (1) STD DEPTH ADJ SLIDE OUT/TILT TRAY
- (4) POLY TOOL BOXES

**COMPARTMENT P3 CONTAINS:**

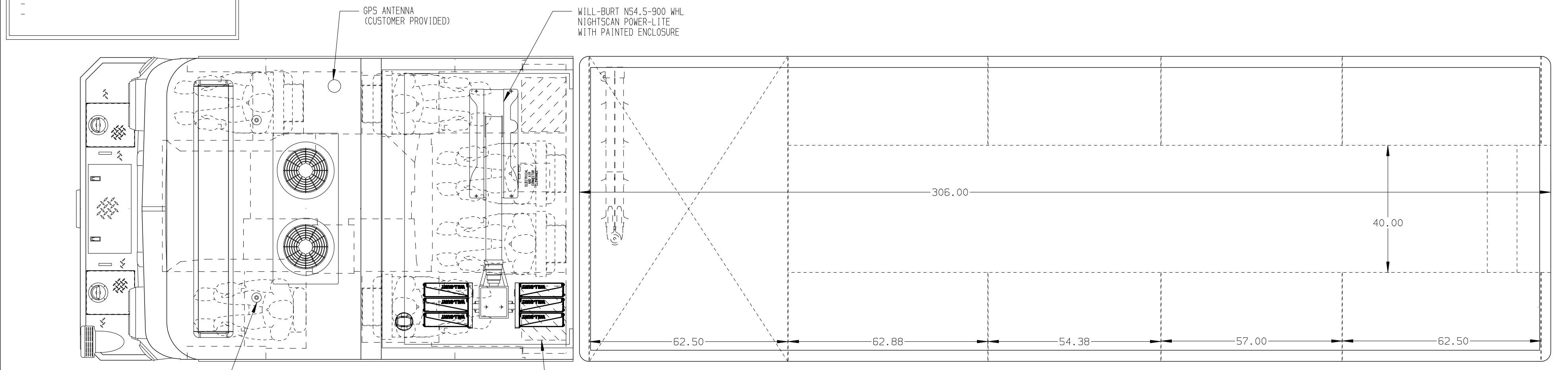
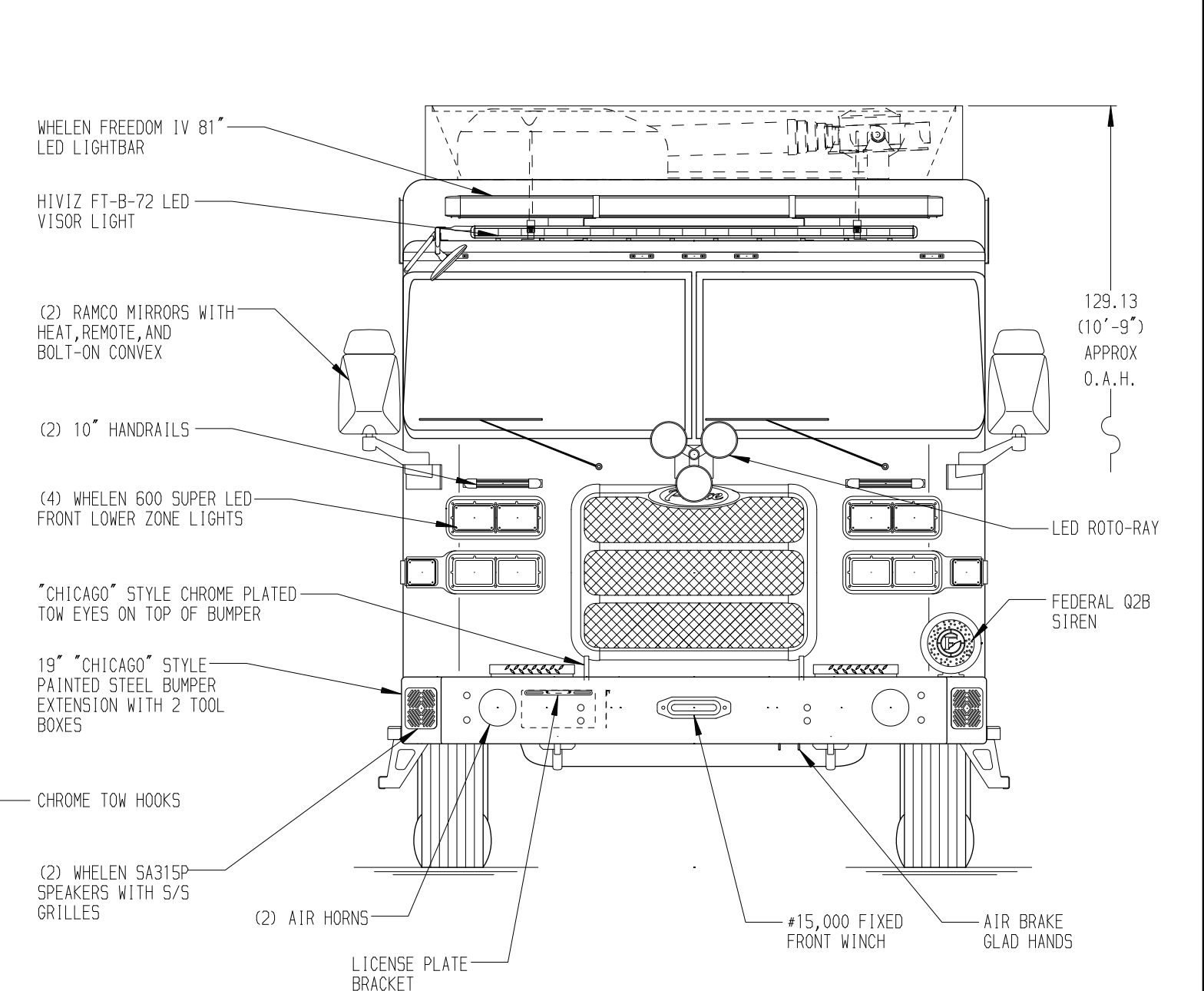
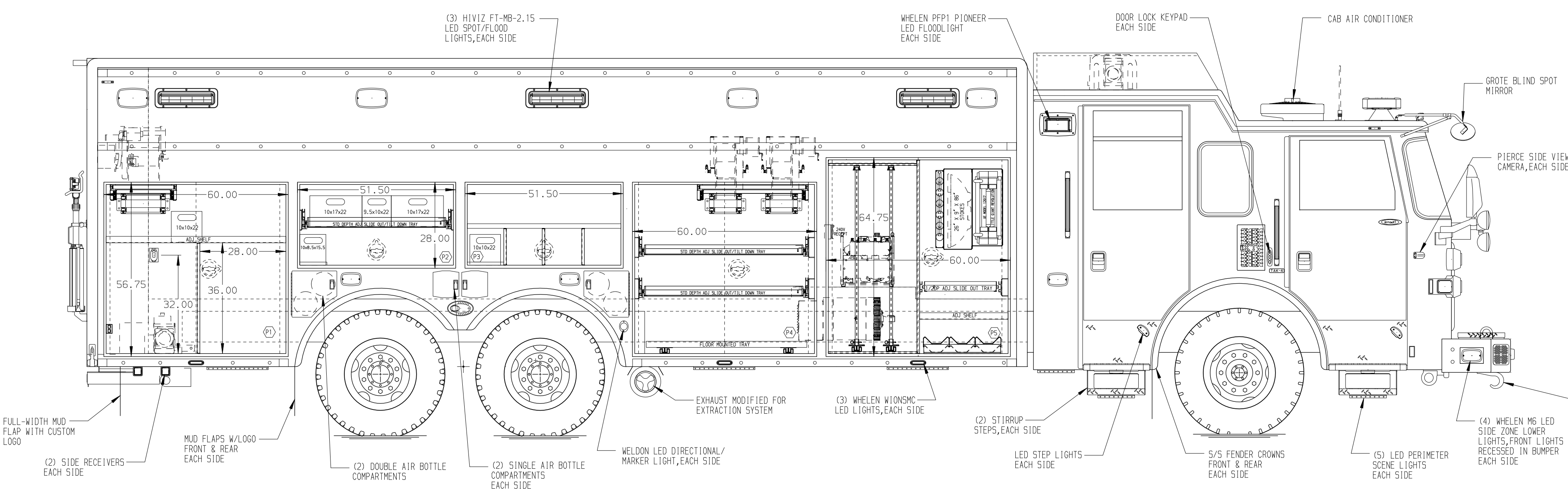
- (1) HORIZONTAL FLOOR EXTENSION
- (3) VERTICAL COMPARTMENT DIVIDERS
- (1) POLY TOOL BOX

**COMPARTMENT P4 CONTAINS:**

- (2) STD DEPTH ADJ SLIDE OUT/TILT TRAYS
- (1) FLOOR MOUNTED TRAY
- (1) SLIDE OUT ROLLER GUIDE BRACKET
- (1) SWITCH FOR 240V RECEPTACLE
- (1) MOUNTING BRACKET FOR HYD POWER UNIT
- (1) RACK FOR 3 EXTINGUISHERS
- (1) STD DEPTH ADJ SHELF
- (1) 1/2 DEPTH ADJ SLIDE OUT TRAY

**COMPARTMENT P5 CONTAINS:**

- (1) RACK FOR 6 PIKE POLES-3 EACH SIDE
- (4) CUSTOM STORAGE TROUGHS
- (2) STD DEPTH ADJ SLIDE OUT TOOLBOARDS
- (1) VERTICAL COMPARTMENT DIVIDER
- (1) STOKES BASKET RACK
- (1) RACK FOR LITTLE GIANT LADDER
- (1) 30A, 240V T. RECEPTACLE
- (1) MOUNTING BRACKET FOR HYD POWER UNIT
- (1) RACK FOR 3 EXTINGUISHERS
- (1) STD DEPTH ADJ SHELF
- (1) 1/2 DEPTH ADJ SLIDE OUT TRAY



**DRIVER'S SIDE COMPARTMENTS CONTAIN THE FOLLOWING:**

**COMPARTMENT D1 CONTAINS:**

- (1) WINCH POWER RECEPTACLE
- (1) STD DEPTH ADJ SHELF
- (2) VERTICAL COMPARTMENT DIVIDERS
- (1) FIXED SHELF-INVERTED
- (1) 14-DRAWER C-TECH CABINET
- (1) ELECTRIC CORD REEL W/200' OF 10/4 BLACK CORD
- (1) 15A, 120V DUPLEX RECEPTACLE
- (1) SLIDE OUT ROLLER GUIDE BRACKET

**COMPARTMENT D2 CONTAINS:**

- (1) RACK FOR 12 AIR BAGS
- (1) STD DEPTH ADJ SLIDE OUT/TILT TRAY
- (2) POLY TOOL BOXES

**COMPARTMENT D3 CONTAINS:**

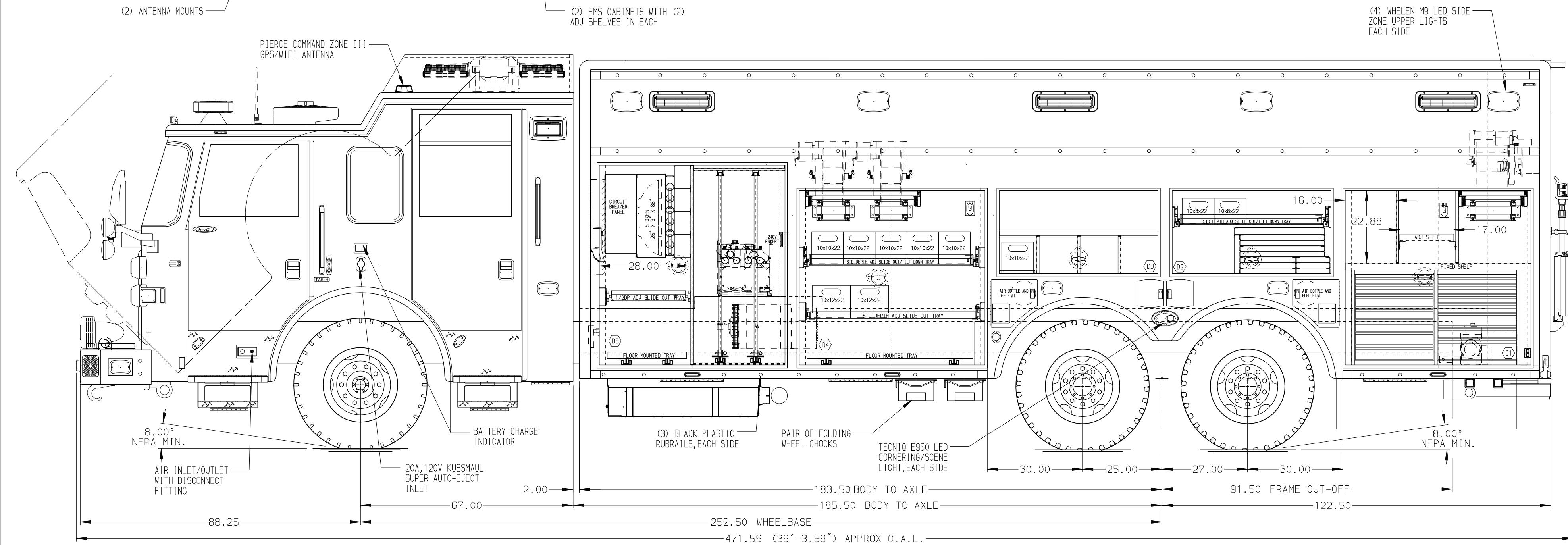
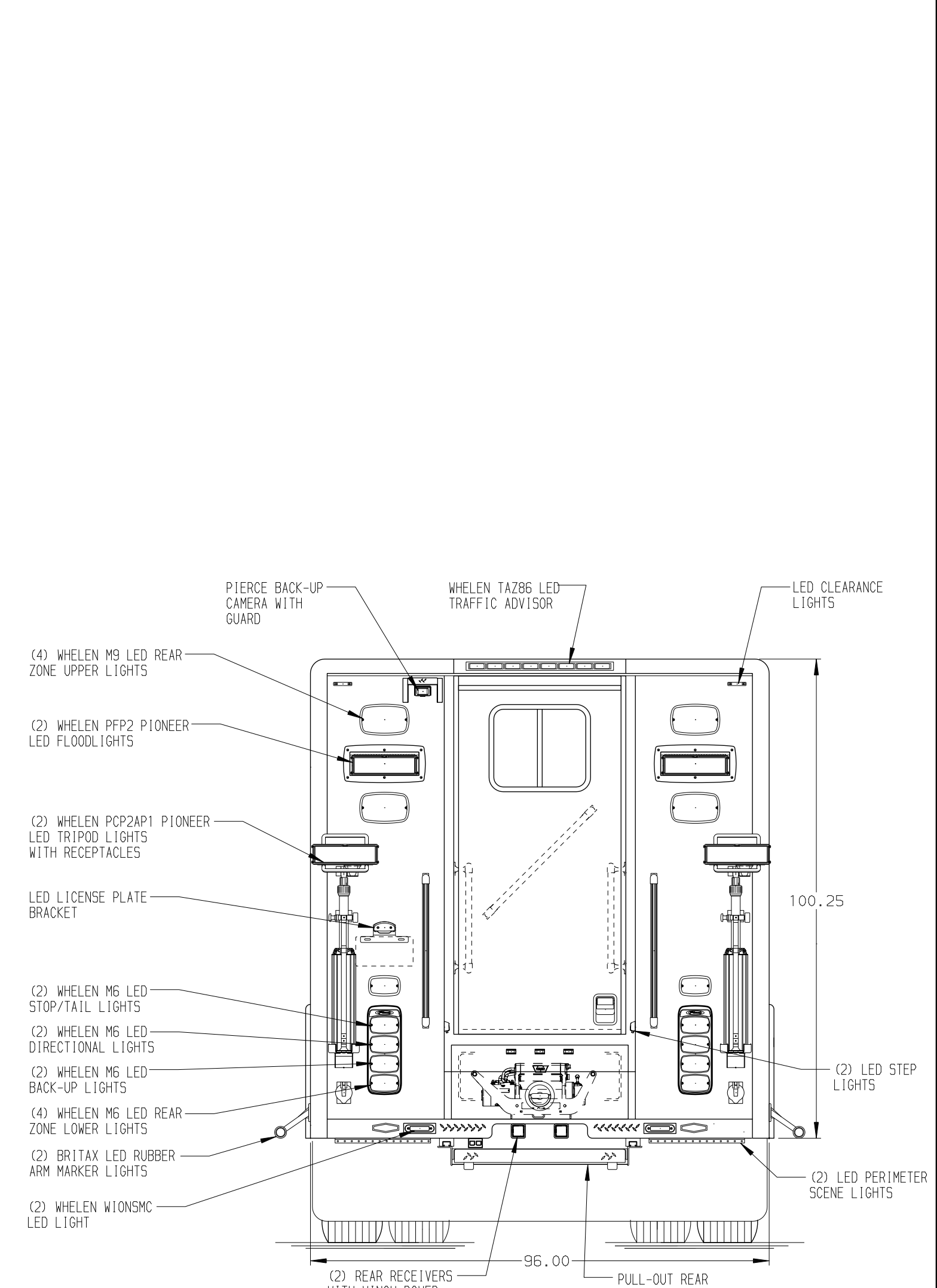
- (1) HORIZONTAL FLOOR EXTENSION
- (1) POLY TOOL BOX
- (3) VERTICAL COMPARTMENT DIVIDERS

**COMPARTMENT D4 CONTAINS:**

- (1) STD DEPTH ADJ SLIDE OUT/TILT TRAY
- (1) STD DEPTH ADJ SLIDE OUT TRAY
- (7) POLY TOOL BOXES
- (1) FLOOR MOUNTED TRAY
- (1) SLIDE OUT ROLLER GUIDE BRACKET
- (1) STOKES BASKET RACK
- (1) 15A, 120V DUPLEX RECEPTACLE
- (1) SWITCH FOR 240V RECEPTACLE
- (1) MOUNTING PROVISIONS FOR 2 HYDRAULIC REELS

**COMPARTMENT D5 CONTAINS:**

- (1) RACK FOR 6 PIKE POLES-3 EACH SIDE
- (4) CUSTOM STORAGE TROUGHS
- (1) 1/2 DEPTH ADJ SLIDE OUT TRAY
- (2) STD DEPTH ADJ SLIDE OUT TOOLBOARDS
- (1) VERTICAL COMPARTMENT DIVIDER
- (1) STOKES BASKET RACK
- (1) CIRCUIT BREAKER PANEL
- (1) GENERATOR METER PANEL
- (1) CAB LIFT CONTROLLER
- (1) NIGHTSCAN CONTROLLER
- (1) 30A, 240V T.L. RECEPTACLE
- (1) MOUNTING BRACKET FOR HYD POWER UNIT
- (1) FLOOR MOUNTED TRAY



**NOTE**  
DIMENSIONS SHOWN ARE APPROXIMATE AND ARE SUBJECT TO MINOR DEVIATIONS AS MAY OCCUR OR BE NECESSARY IN CONSTRUCTION. MINOR DETAILS NOT SHOWN.

**NOTES:**

- ONAN 30kW SINGLE PHASE PTO DRIVEN GENERATOR WITH SPLASH GUARD LOCATED BETWEEN THE FRAME RAILS
- WARN #10,000 PORTABLE WINCH
- FLOOR IN CAB AND CREW CAB TO BE PADDED RUBBER
- 10TA 75A CHARGER WITH COVER LOCATED BEHIND DRIVER'S SEAT
- ONSPOT AUTOMATIC TIRE CHAINS
- PULL STRAPS FOR LAP DOORS IN COMPARTMENTS D2,D3,P2,P3
- PIERCE LED STRIP LIGHTS IN EACH EXTERIOR BODY COMPARTMENT
- KUSSMUL BRAKE SYSTEM COMPRESSOR LOCATED UNDER FORWARD FACING CREW CAB SEATS
- (6) STREAM LIGHT FIRE VULCAN HALL LIGHTS, (4) ABOVE FORWARD FACING CREW CAB SEATS, (1) AT OFFICER'S SIDE DASH AND (1) ON FORWARD WALL OF COMPARTMENT D5
- TURTLE TILE ON FLOORS IN COMPARTMENTS P1,P2,R1,D2, AND IN THE BUMPER TRAYS

**(SIDE ROLL & FRONTAL IMPACT PROTECTION)**

**CLEAR DOOR WIDTH KEY**

AMORR ROLL UP DOORS:	-1 7/8"
CORTITE ROLL UP DOORS:	-2 3/4"
PIERCE DOUBLE LAP DOORS:	-4 1/4"
PIERCE LIFT-UP LAP DOORS:	-1 1/2"

(EX: 60" F-F = 1 7/8" = 58 1/8" CLEAR)  
(F-F) = FRAME TO FRAME

25JUL17	DHE	AZU	MAKE
01JUN17	DHE	AZU	PIERCE
06APR17	DHE	CDK	MODEL
REV	DATE	BY	CH

CHASSIS DATA  
TITLE: HEAVY DUTY RESCUE WALKIN/NON-WALKIN COMBO  
FOR: PRINCE WILLIAM COUNTY VIRGINIA  
PRINCE WILLIAM, VA  
RODNEY GUESSFORD  
DWG NO.: 30681AD-SH1

**Pierce MANUFACTURING INC.**

JOB NO. 30681  
SCALE 1:24  
DATE  
DRAWN BY DHE 22MAR17  
CHECKED BY CDK 24MAR17  
SHEET SIZE D SHEET NO. 1 OF 1