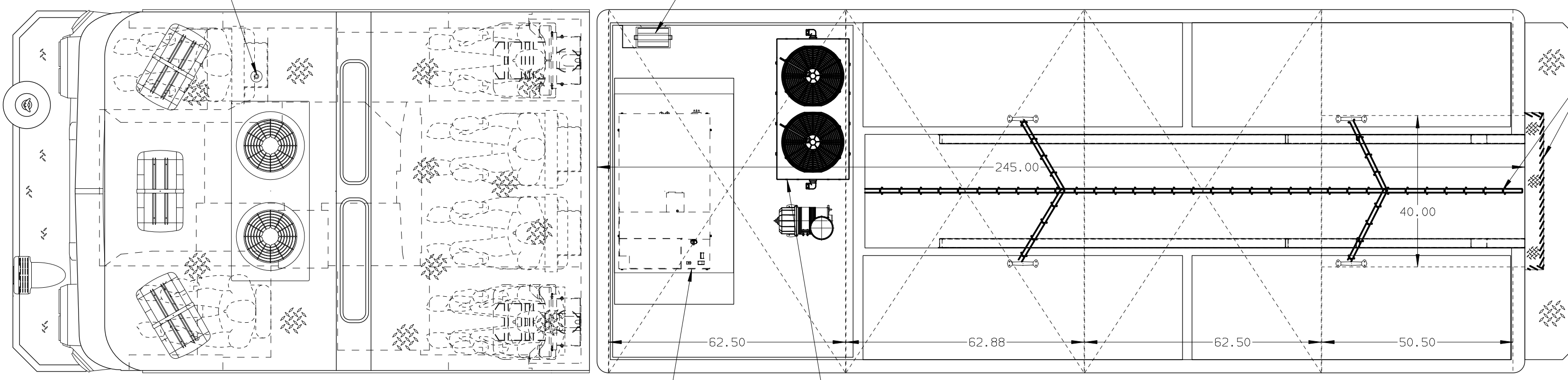
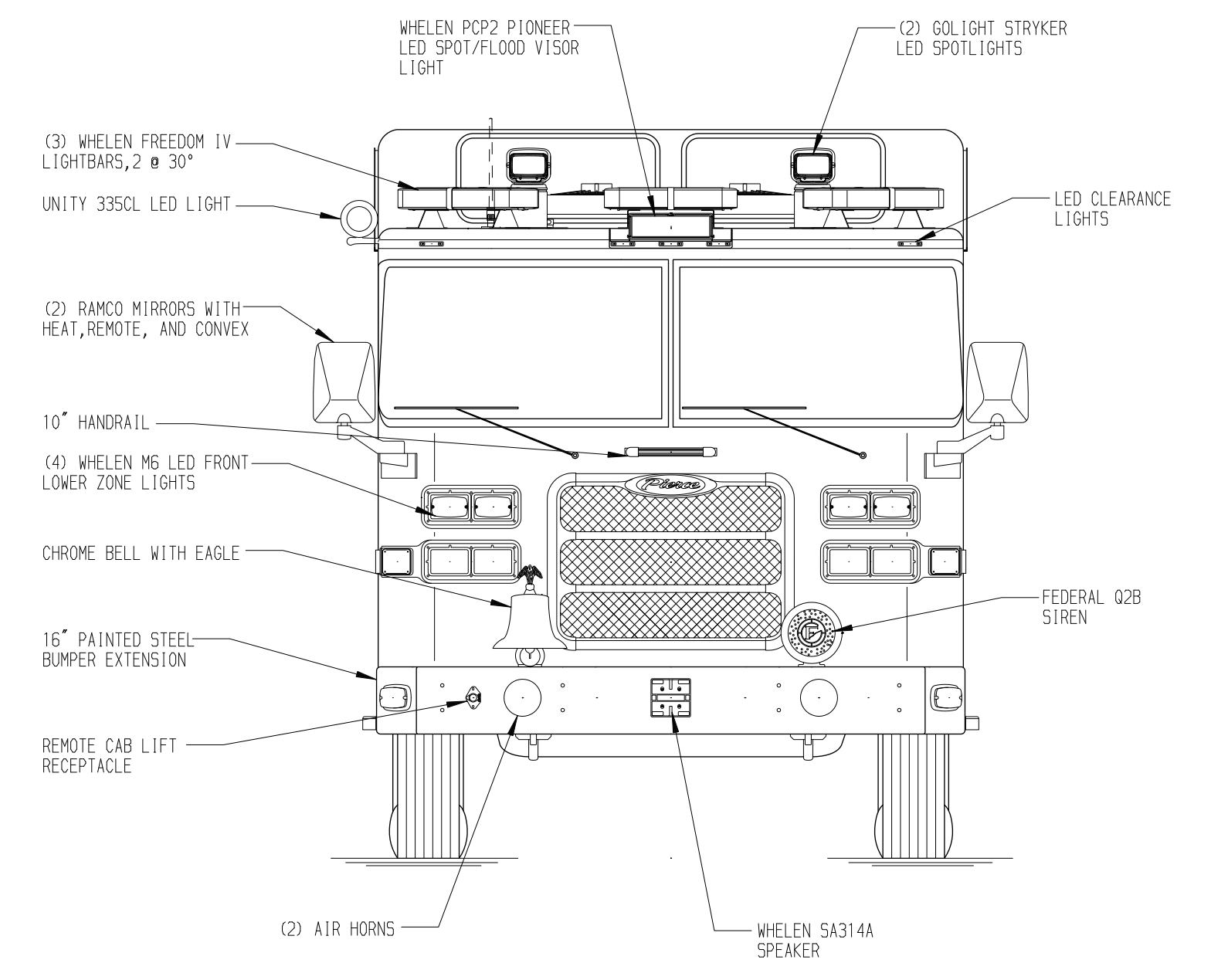
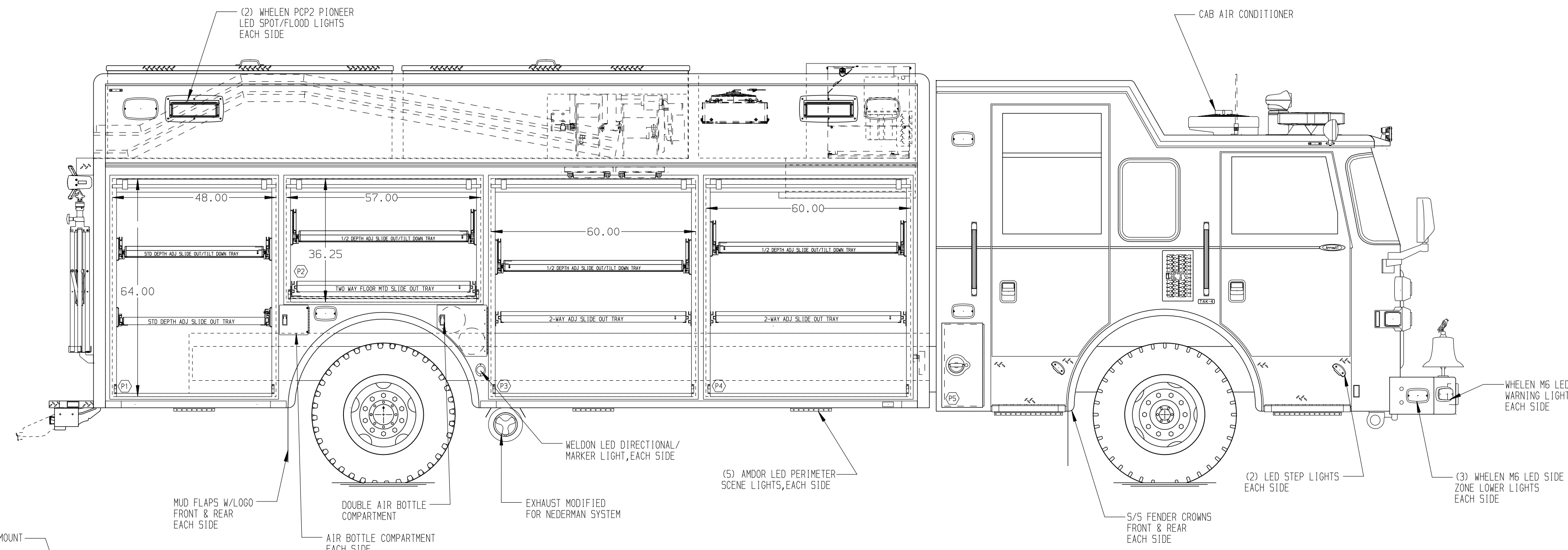


PASSENGER'S SIDE COMPARTMENTS CONTAIN THE FOLLOWING:

- COMPARTMENT P1 CONTAINS:**
 - (1) STD DEPTH ADJ SLIDE OUT/TILT TRAY
 - (1) STD DEPTH ADJ SLIDE OUT TRAY
- COMPARTMENT P2 CONTAINS:**
 - (1) TWO WAY FLOOR MOUNTED SLIDE OUT TRAY
 - (1) 1/2 DEPTH ADJ SLIDE OUT/TILT TRAY

- COMPARTMENT P3 CONTAINS:**
 - (1) 2-WAY ADJ SLIDE OUT TRAY
 - (1) 1/2 DEPTH ADJ SLIDE OUT/TILT TRAY
 - (1) ELECTRIC CORD REEL WITH 200' OF 12/3 YELLOW CORD
 - (1) TOOL AIR REEL W/150' OF HOSE

- COMPARTMENT P4 CONTAINS:**
 - (1) 2-WAY ADJ SLIDE OUT TRAY
 - (1) 1/2 DEPTH ADJ SLIDE OUT/TILT TRAY
 - (1) CAB LIFT CONTROLLER



DRIVER'S SIDE COMPARTMENTS CONTAIN THE FOLLOWING:

- COMPARTMENT D1 CONTAINS:**
 - (2) STD DEPTH FLOOR MOUNTED TRAYS WITH SIDE SLIDES
 - (2) STD DEPTH TOOLBOARDS MTD IN TRAYS
 - (1) CIRCUIT BREAKER PANEL
 - (1) SUB FEED PANEL
 - (1) GENERATOR METER PANEL
 - (1) AIR COMPRESSOR CONTROL PANEL

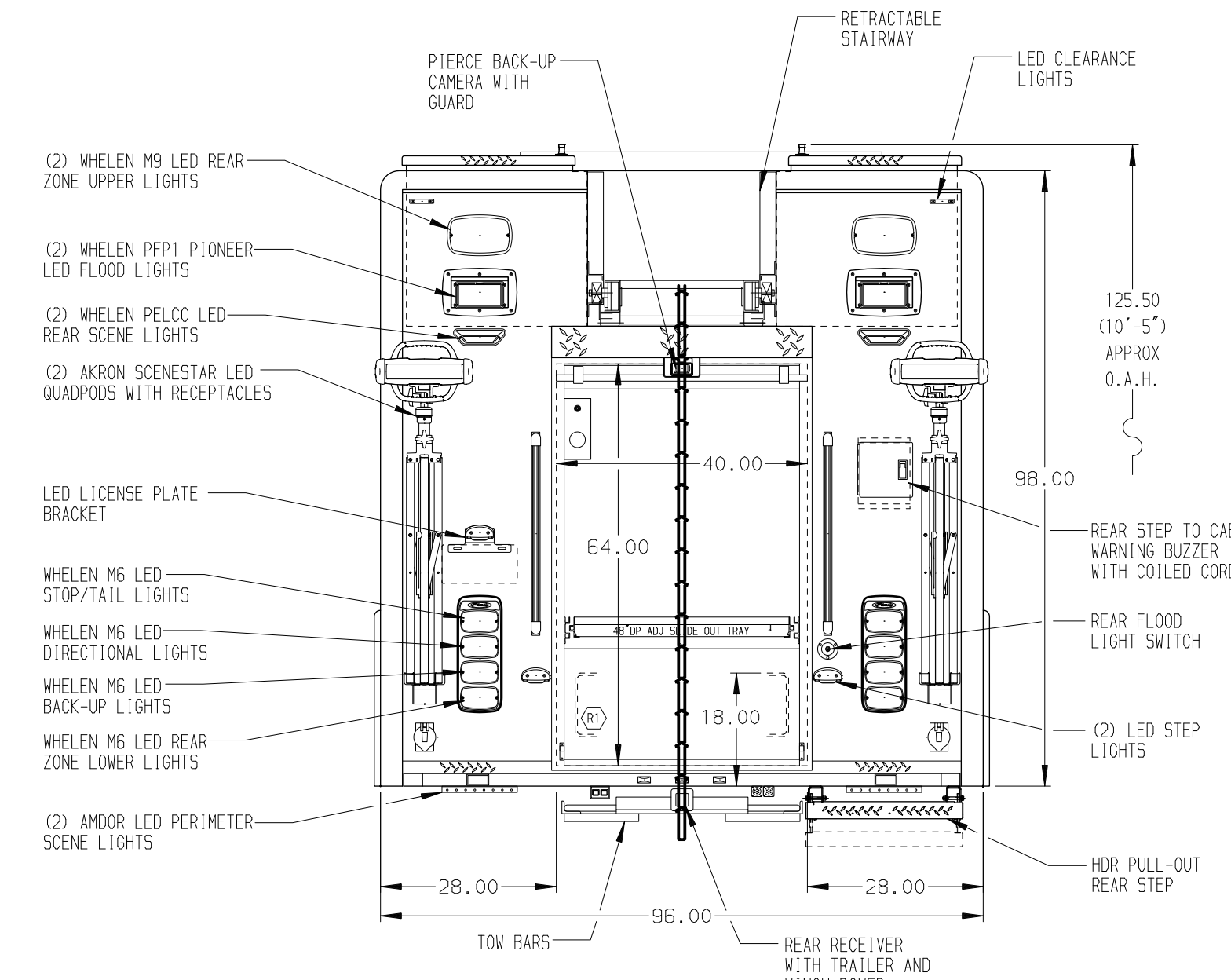
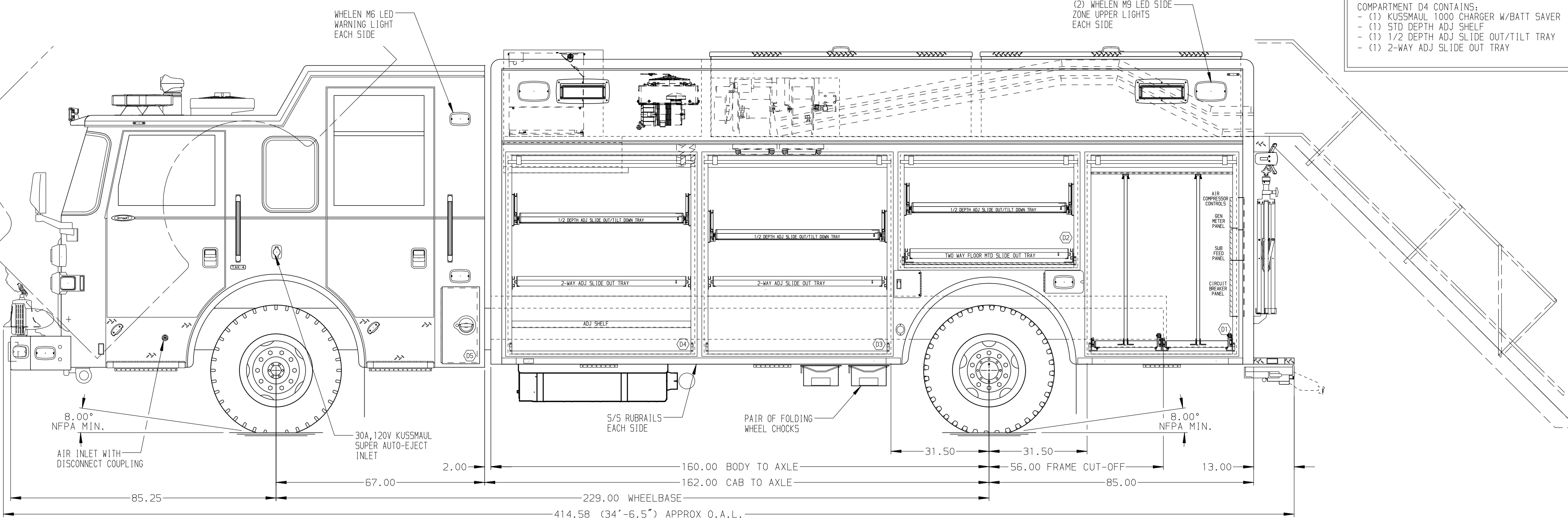
- COMPARTMENT D2 CONTAINS:**
 - (1) 1/2 DEPTH ADJ SLIDE OUT/TILT TRAY
 - (1) TWO WAY FLOOR MOUNTED SLIDE OUT TRAY

- COMPARTMENT D3 CONTAINS:**
 - (1) 1/2 DEPTH ADJ SLIDE OUT/TILT TRAY
 - (1) ELECTRIC CORD REEL WITH 200' OF 12/3 YELLOW CORD
 - (1) TOOL AIR REEL W/150' OF HOSE
 - (1) 2-WAY ADJ SLIDE OUT TRAY

- COMPARTMENT D4 CONTAINS:**
 - (1) KUSSMAUL 1000 CHARGER W/BATT SAVER
 - (1) STD DEPTH ADJ SHELF
 - (1) 1/2 DEPTH ADJ SLIDE OUT/TILT TRAY
 - (1) 2-WAY ADJ SLIDE OUT TRAY

REAR COMPARTMENT CONTAINS THE FOLLOWING:

- COMPARTMENT R1 CONTAINS:**
 - (1) 48" DP ADJ SLIDE OUT TRAY
 - (1) AIR OUTLET FROM TOOL COMPRESSOR



NOTE
 DIMENSIONS SHOWN ARE APPROXIMATE AND ARE SUBJECT TO MINOR DEVIATIONS AS MAY OCCUR OR BE NECESSARY IN CONSTRUCTION. MINOR DETAILS NOT SHOWN.

- NOTES:**
- RUD AUTOMATIC TIRE CHAINS
 - ALUMINUM TREADPLATE SCUFFPLATE ON REAR OF ENGINE TUNNEL AND REAR FACING SEAT RISERS
 - ALUMINUM TREADPLATE ON CAB AND CREW CAB ROOF
 - FULL-WIDTH REAR FACING SHELF WITH SLIDE OUT DRAWER BELOW IN CREW CAB
 - FLOOR IN CAB AND CREW CAB TO BE PADDED RUBBER
 - (2) STREAMLIGHT HANDLIGHTS UNDER EACH OUTBOARD FORWARD FACING SEAT
 - FIRECOM 5 POSITION INTERCOM SYSTEM
 - BATTERY CHARGE INDICATOR LOCATED ON DRIVER'S SEAT WITH BRACKET
 - LED STRIP LIGHTS IN EACH BODY COMPARTMENT
 - S/S GUARDS ON ALL BODY ROLL-UP DOORS
 - (2) 20A, 120V DUPLEX RECEPTACLES ON SHELF IN CAB

FRONTAL IMPACT PROTECTION
 MAXIMUM O.A.H. 130.00"
 MAXIMUM O.A.L. 415.00"

CLEAR DOOR WIDTH KEY		CHASSIS DATA	
AMOR ROLL UP DOORS:	-1 7/8"	05MAY16	DHE AZU MAKE
CORTITE ROLL UP DOORS:	-2 3/4"	16MAR16	DHE AZU PIERCE
PIERCE DOUBLE LAP DOORS:	-4 1/4"	28JAN16	DHE AZU MODEL
PIERCE LIFT-UP LAP DOORS:	-1 1/2"		REV DATE BY CH
(EX: 60" F-F - 1 7/8" = 58 1/8" CLEAR) (F-F) = FRAME TO FRAME		AX6716	

		JOB NO.	29164
		SCALE	DATE
TITLE		HEAVY DUTY RESCUE NON-WALKIN	
FOR		SALT LAKE CITY CORPORATION SALT LAKE CITY, UT	
DWG NO.		29164AD	
DRAWN BY	DHE	06JAN16	
CHECKED BY	AZU	08JAN16	
SHEET SIZE	D	SHEET NO.	1 OF 1