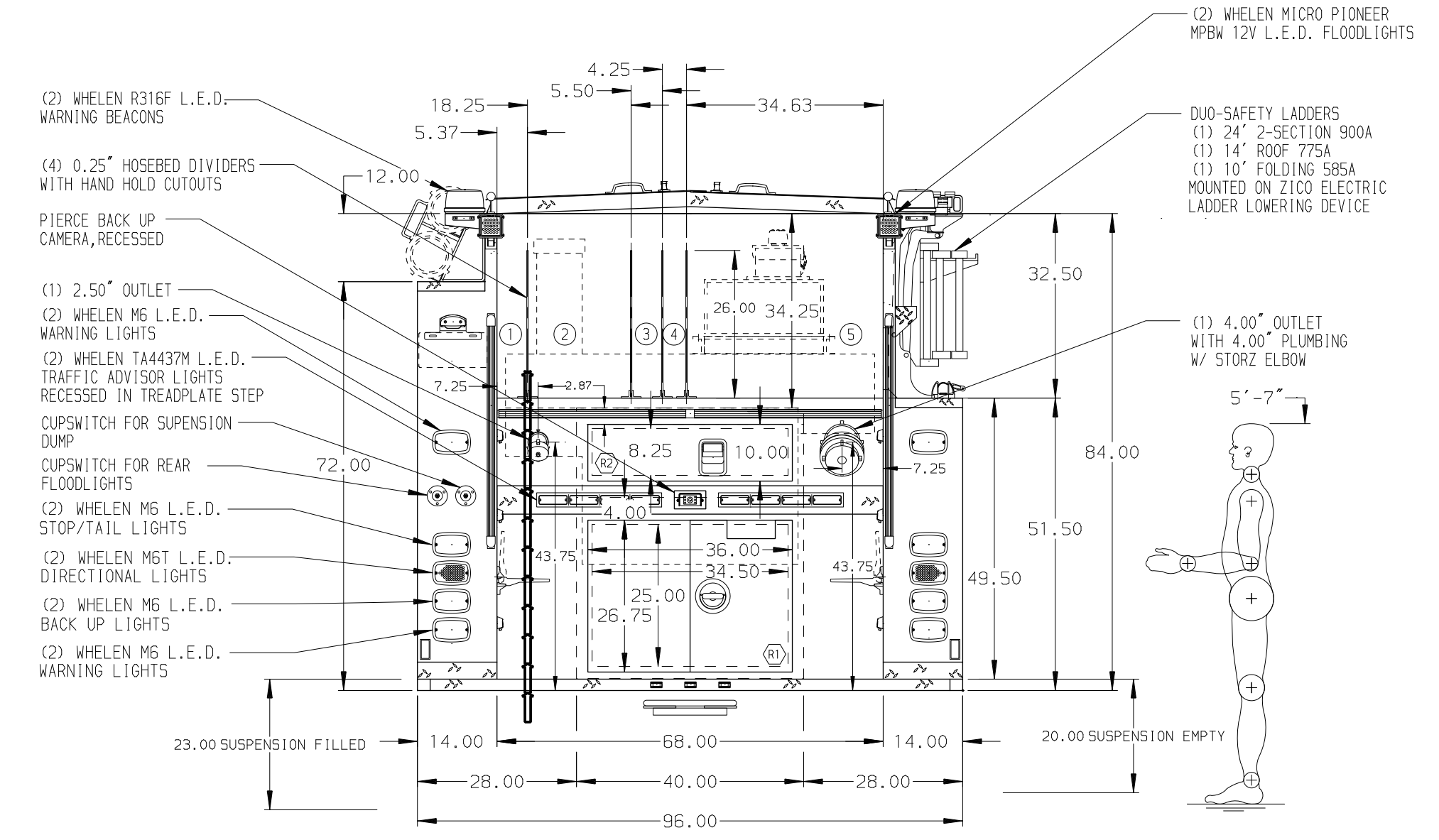
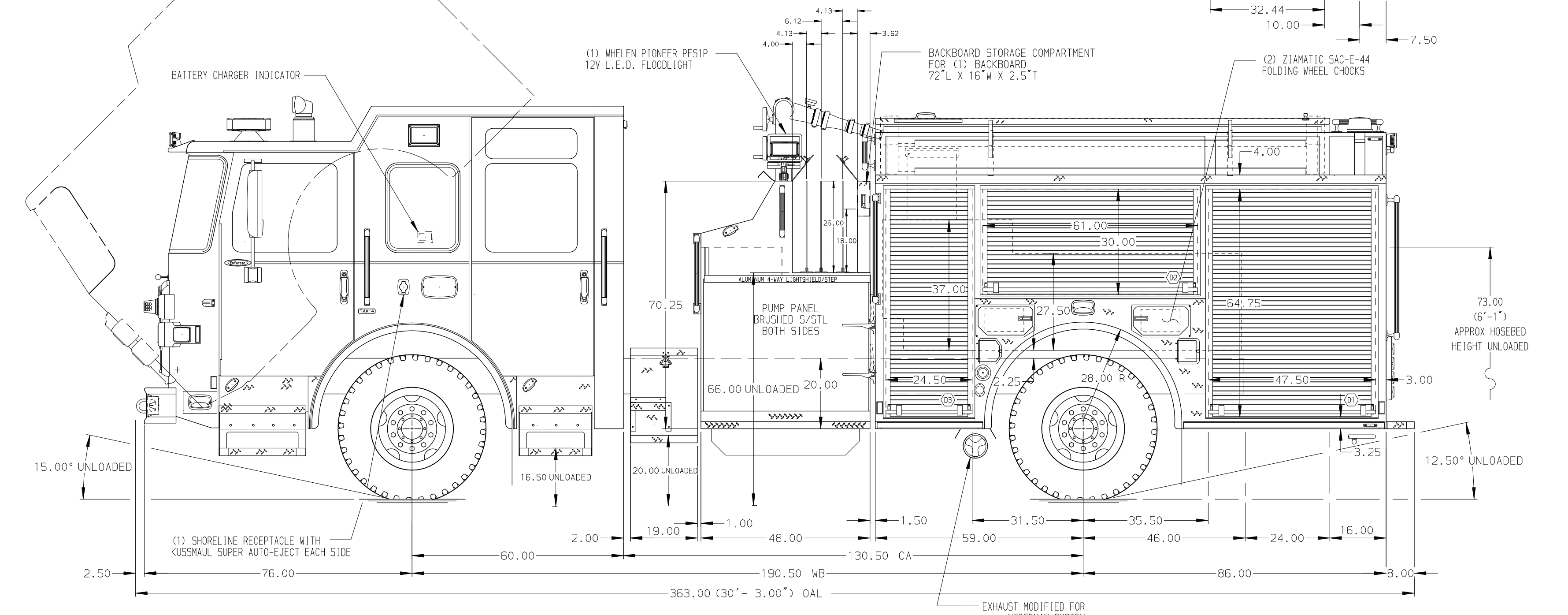


- HOSEBED CAPACITIES**
- ① - 200' OF 2.50" HOSE
  - ② - 600' OF 2.50" HOSE
  - ③ - 200' OF 2.50" HOSE
  - ④ - 200' OF 1.75" HOSE
  - ⑤ - 1000' OF 4.00" HOSE



ALUMINUM BODY      MAXIMUM O.A.L. 363.00"      MAXIMUM O.A.H. 118.00"

**NOTE**  
 DIMENSIONS SHOWN ARE APPROXIMATE AND ARE SUBJECT TO MINOR DEVIATIONS AS MAY OCCUR OR BE NECESSARY IN CONSTRUCTION. MINOR DETAILS NOT SHOWN.

1. BATTERY CHARGER LOCATED BEHIND DRIVERS SEAT
2. S/STL PROTECTIVE GUARD FOR ROLL-UP DOOR ON COMPARTMENT D1, D2, D3, P1, & P3
3. ONE ADJUSTABLE SHELF (FULL DEPTH/FULL WIDTH) IN COMPARTMENTS D2 & P3; AND TWO IN D1 & D3
4. ONE FLOOR MOUNTED SLIDE OUT TRAY IN COMPARTMENT R1
5. TRANSVERSE FULL WIDTH SHELF BETWEEN COMPARTMENTS D1 AND P1
6. NOTCHED PARTITION BETWEEN COMPARTMENTS D1/R1 AND P1/R1
7. FOAMPRO 2002 SINGLE AGENT FOAM SYSTEM
8. AIR INLET/OUTLET WITH DISCONNECT FITTING LOCATED ON DRIVERS SEAT RISER
9. TWO ADJUSTABLE SHELVES WITH 30 DEGREE PITCH LOCATED IN COMPARTMENTS D3
10. ONE ADJUSTABLE SHELF WITH 1.50" SIDES LOCATED IN COMPARTMENT P3
11. BRUSHED ALUMINUM SCUFFPLATE/GUARDS ON WATER AND FOAM DOMES

REV	DATE	BY	CH	ENFORCER
07MAR17	GVH	SHA	MAKE	
09FEB17	GVH	SHA	PIERCE	
12DEC16	GVH	JBL	MODEL	

		JOB NO.	(01-05) 30816
		SCALE	DATE
TITLE	1500-D-500P W/10G FOAM TANK, SPCL 145" BODY DS FH PS 3/4, (2)CROSSLAYS, ZICO LADDER RACK ON PS, DELUGE	DRAWN BY	GVH 23NOV16
FOR	CITY OF SEATTLE SEATTLE, WASHINGTON	CHECKED BY	JBL 28NOV16
DWG NO.	30816AD	SHEET SIZE	SHEET NO. 1 OF 1