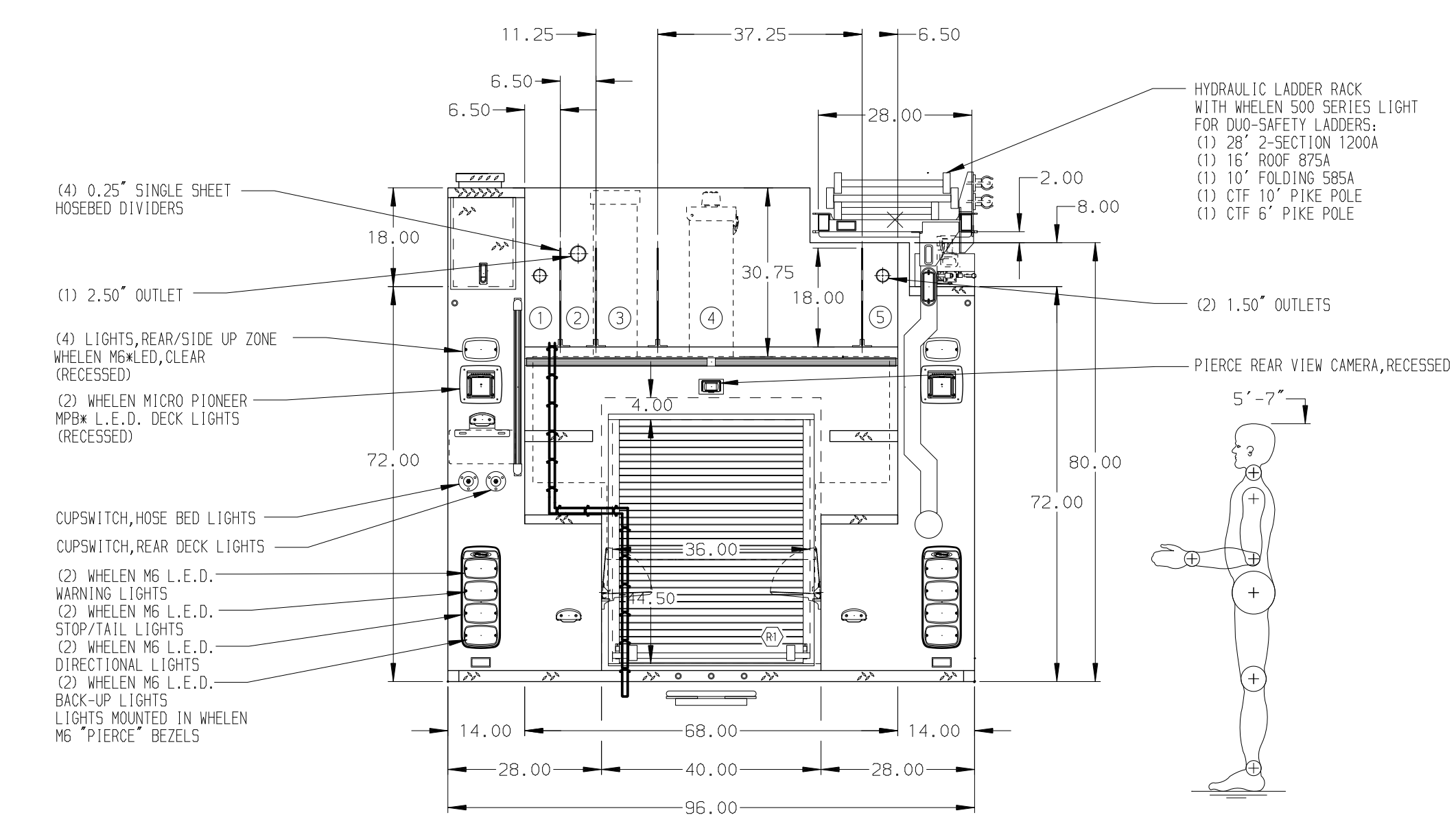
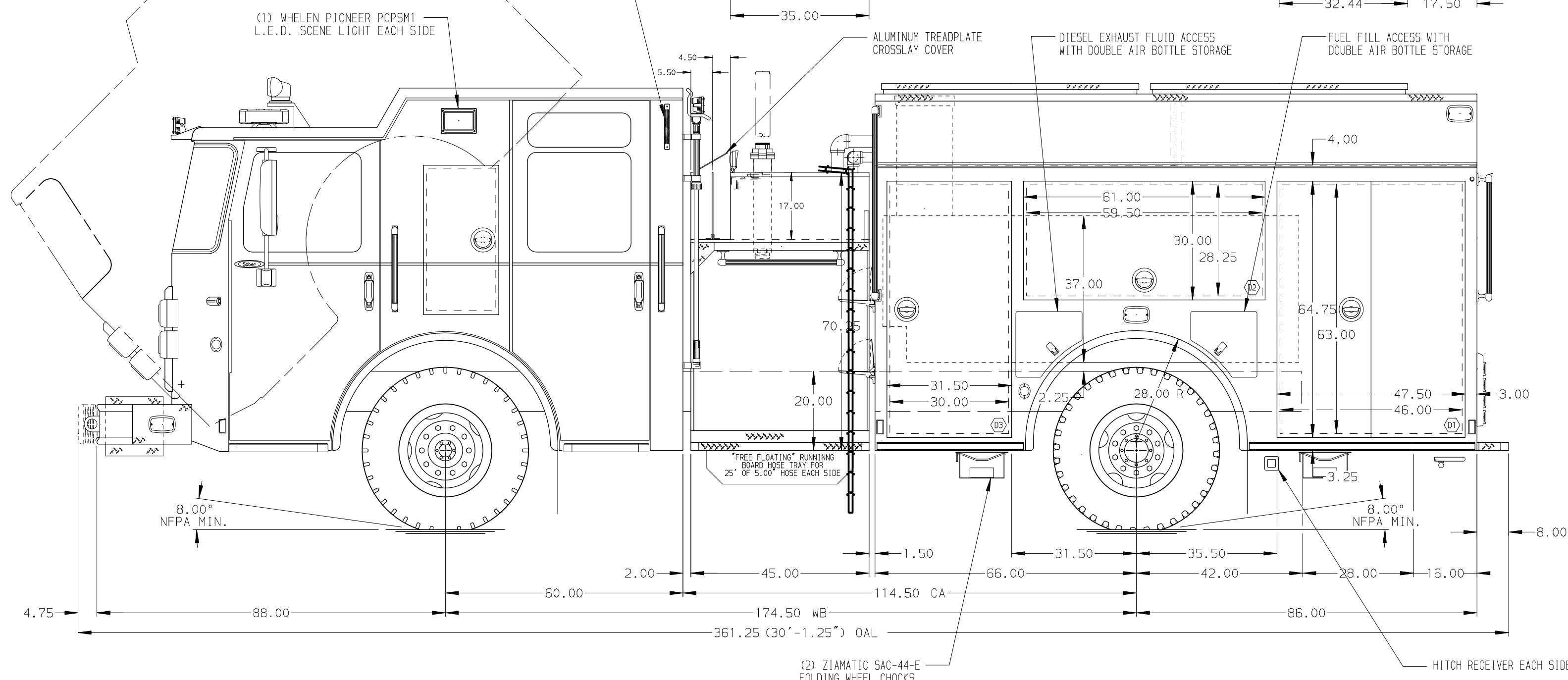
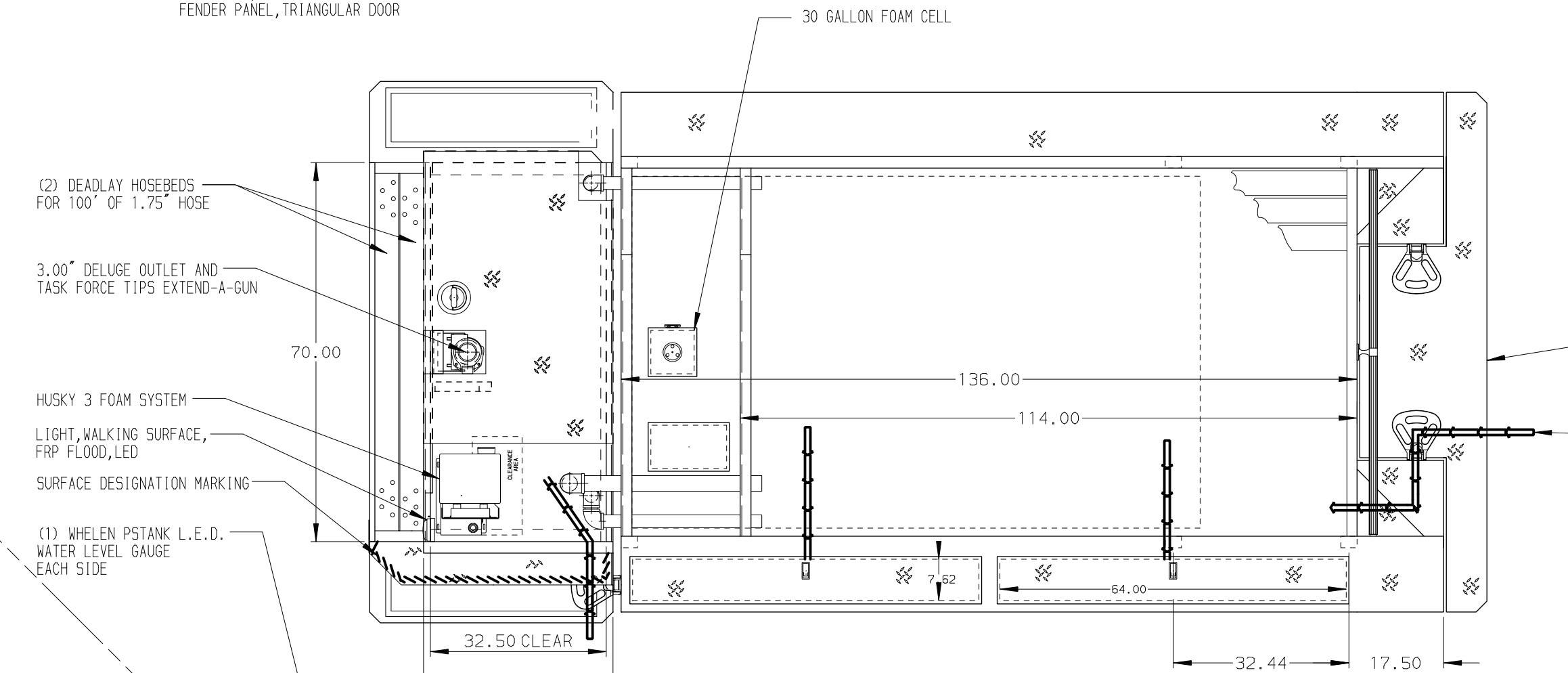


- HOSEBED CAPACITIES
- ① 200' OF 1.75" D.J. POLY HOSE
 - ② 200' OF 2.50" D.J. POLY HOSE
 - ③ 400' OF 2.50" D.J. POLY HOSE
 - ④ 900' OF 5.00" D.J. POLY HOSE
 - ⑤ 200' OF 1.75" D.J. POLY HOSE



ALUMINUM BODY MAXIMUM O.A.H. 114.50"

NOTE
DIMENSIONS SHOWN ARE APPROXIMATE AND ARE SUBJECT TO MINOR DEVIATIONS AS MAY OCCUR OR BE NECESSARY IN CONSTRUCTION. MINOR DETAILS NOT SHOWN.

REV	DATE	BY	CH	SABER FR
15AUG16	JLA	RW1		
18JUL16	JLA	RW1		
19MAY16	-	SMA		

		JOB NO.	30163 01-06
		SCALE	1:24
TITLE 1250-D-750 GAL POLY W/30 GAL FOAM CELL, 152" PUMPER (2) DEADLAYS, DELUGE, HYDRAULIC LADDER RACK, HUSKY 3	MAKE	FOR	SOUTH KITSAP FIRE & RESCUE PORT ORCHARD, WASHINGTON
	MODEL	DWG NO.	30163AD
DRAWN BY COL	CHECKED BY SMA	DATE 28APR16	SHEET NO. 1 OF 1