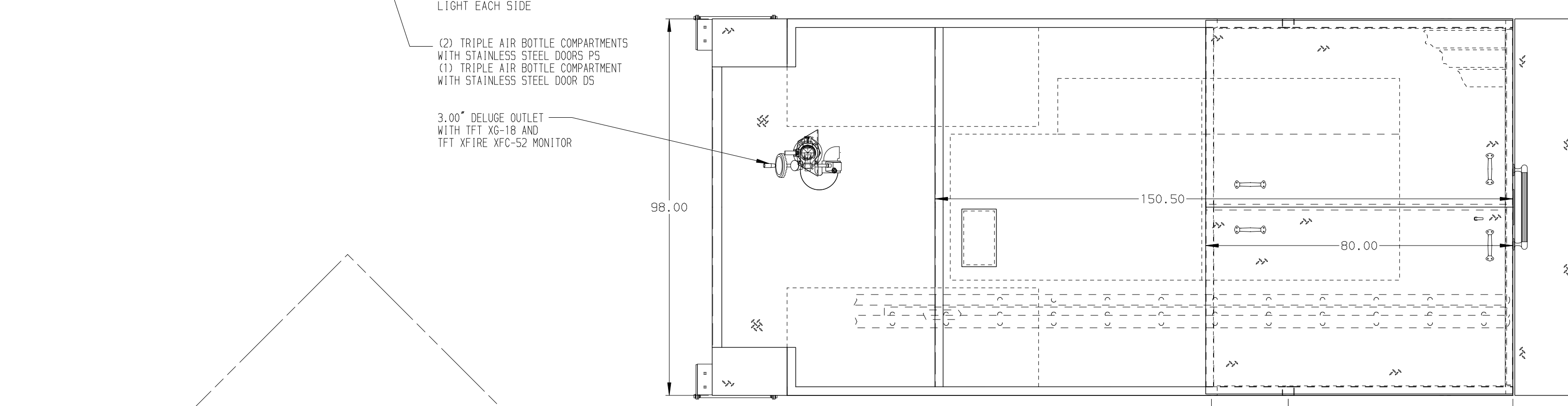
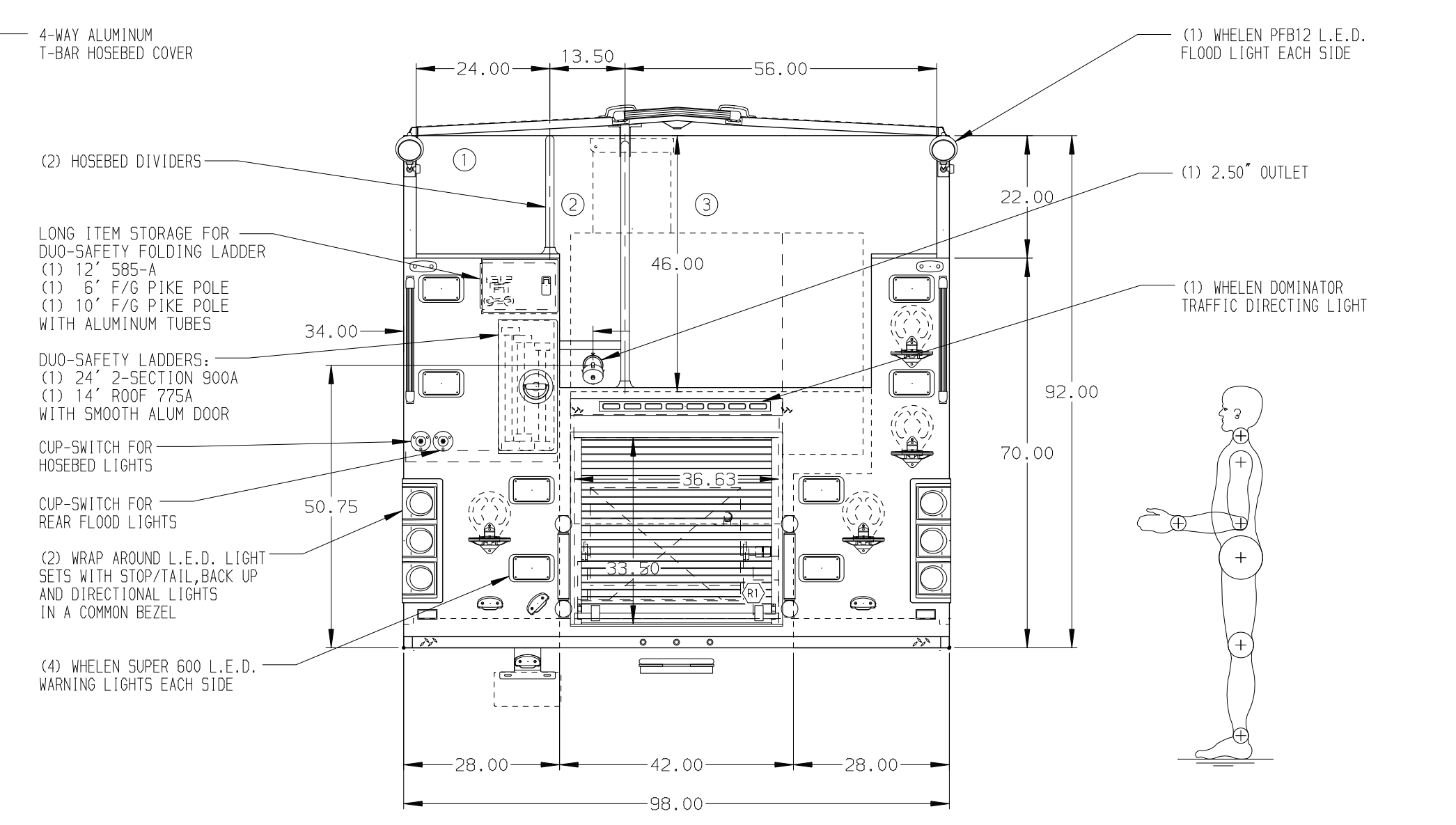
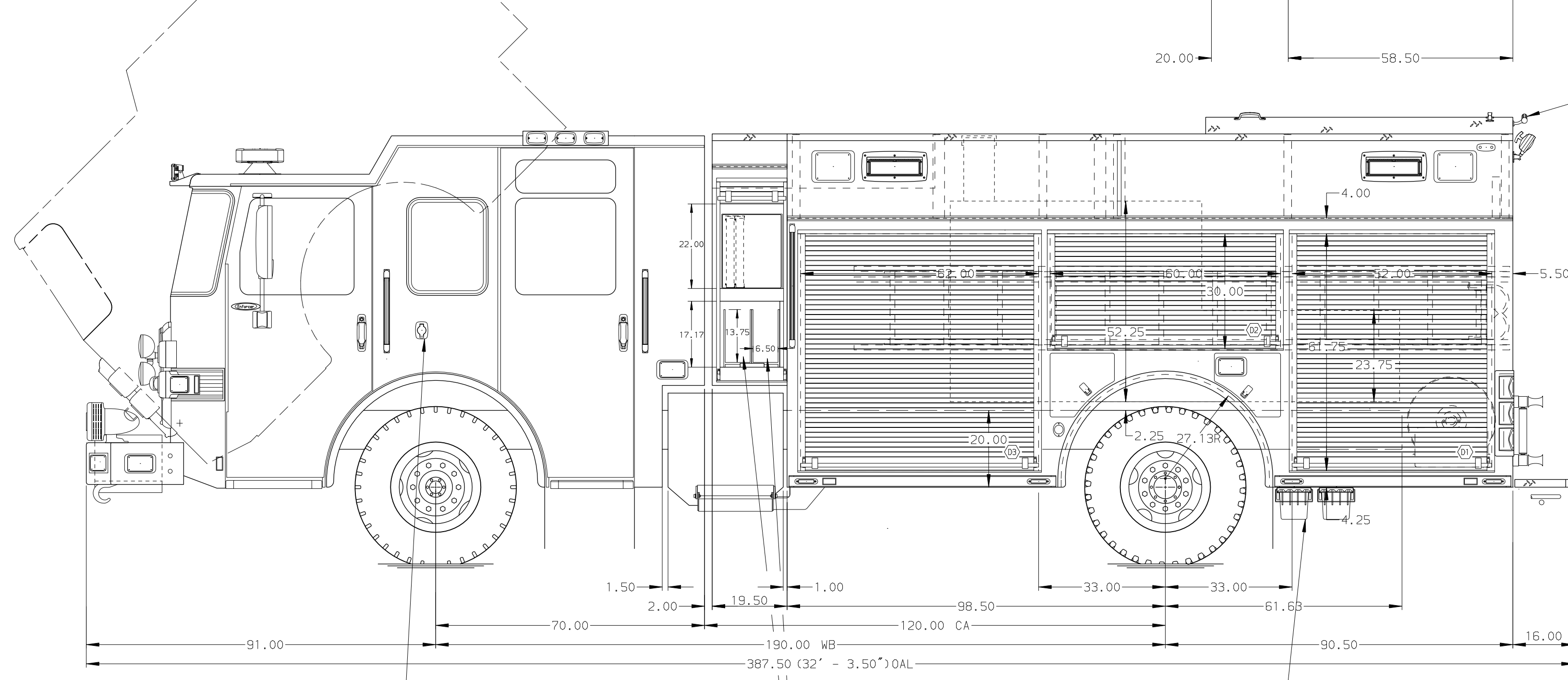


121.00 (10'-1") APPROX O.A.H.



- HOSEBED CAPACITIES
- ① - 550' OF 2.50" D.J. POLY HOSE
 - 150' OF 1.75" D.J. POLY HOSE ON TOP
 - ② - 450' OF 2.50" D.J. POLY HOSE
 - ③ - 800' OF 5.00" LARGE DIAMETER HOSE



ALUMINUM BODY

NOTE
 DIMENSIONS SHOWN ARE APPROXIMATE AND ARE SUBJECT TO MINOR DEVIATIONS AS MAY OCCUR OR BE NECESSARY IN CONSTRUCTION.
 MINOR DETAILS NOT SHOWN.

1. AIR INLET WITH DISCONNECT COUPLING LOCATED ON DS STEP WELL
2. AIR OUTLET WITH SHUT OFF VALVE LOCATED ON DS & PS PUMP PANEL
3. VOSEL LUBE SYSTEM PUMP LOCATED PER SHOP ORDER
4. KUSSMAUL BATTERY CHARGER LOCATED ON BACK WALL BEHIND DRIVER'S SEAT
5. BATTERY CHARGE INDICATOR LOCATED ON D.S. SEAT RISER
6. TWO AMOR LUMBAR H20 AY-9520-040 40.00" RED L.E.D. HOSE BED LIGHTS
7. ONE ADJUSTABLE FULL WIDTH/FULL DEPTH SHELF IN COMPARTMENT P1 & P2, TWO IN D1 & P3, THREE IN D3
8. ONE ADJUSTABLE TILTING SLIDE-OUT TRAY IN COMPARTMENT P3
9. ONE FLOOR MOUNTED SLIDE-OUT TRAY IN COMPARTMENT P1 & P3
10. ONE VERTICAL BOLT-IN PARTITION BETWEEN COMPARTMENTS D1/R1
11. ONE VERTICAL PARTITION IN COMPARTMENT D1
12. HORIZONTAL EQUIPMENT MOUNTING TRACKS IN COMPARTMENT D2
13. ONE HANNAY BOOSTER HOSE REEL MODEL EF34-23-24 WITH CAPACITY FOR 200' OF 1.00" BOOSTER HOSE IN COMPARTMENT R1

		JOB NO.	29843
		SCALE	DATE
TITLE 1500-D-750P 189" LOW HOSEBED PUC, (2) XLAYS, DELUGE DELUGE, LADDER COMPARTMENT DS, FRONT INLET, BELL		DRAWN BY	18APR16
FOR STERLING HEIGHTS FIRE DEPARTMENT STERLING HEIGHTS, MICHIGAN		CHECKED BY	18APR16
DWG NO. 29843AD		SHEET SIZE	SHEET NO.
		D	1 OF 1

REV	DATE	BY	CH	ENFORCER
12SEP16	AMI	COR		CHASSIS DATA
30AUG16	AMI	COR		MAKE
26JUL16	AMI	COR		PIERCE
				MODEL