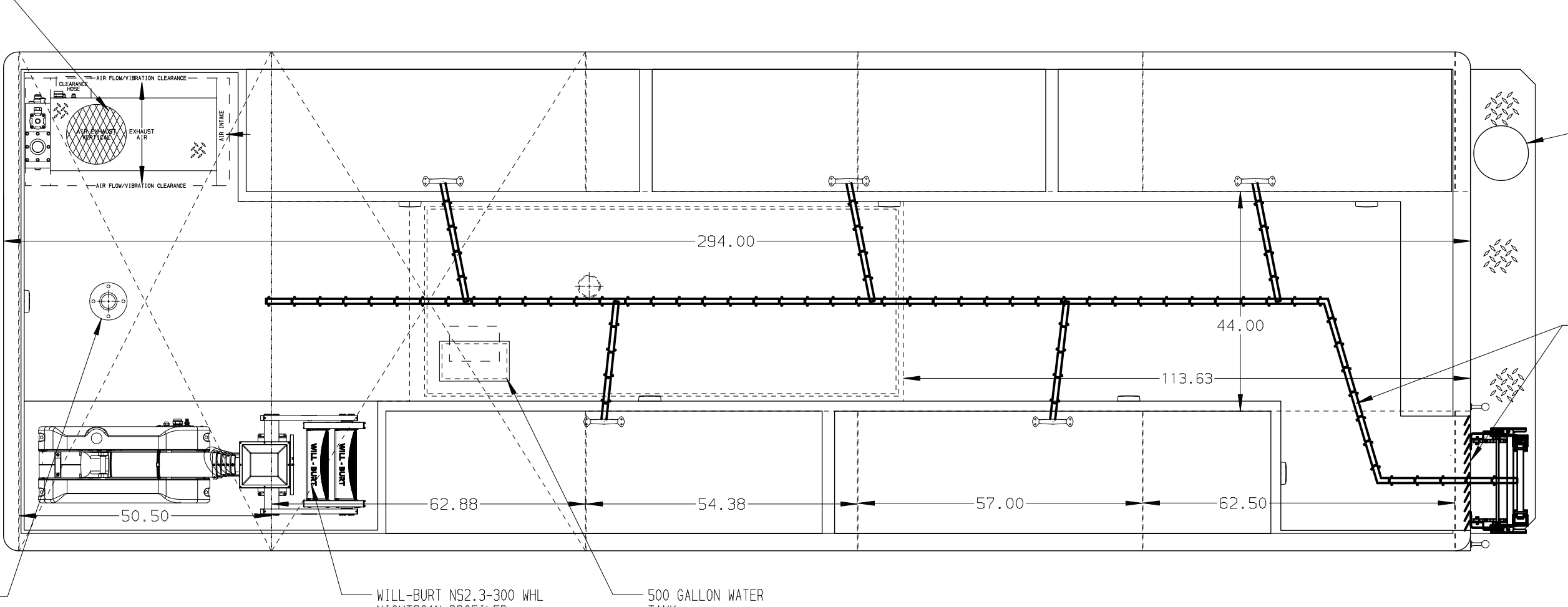
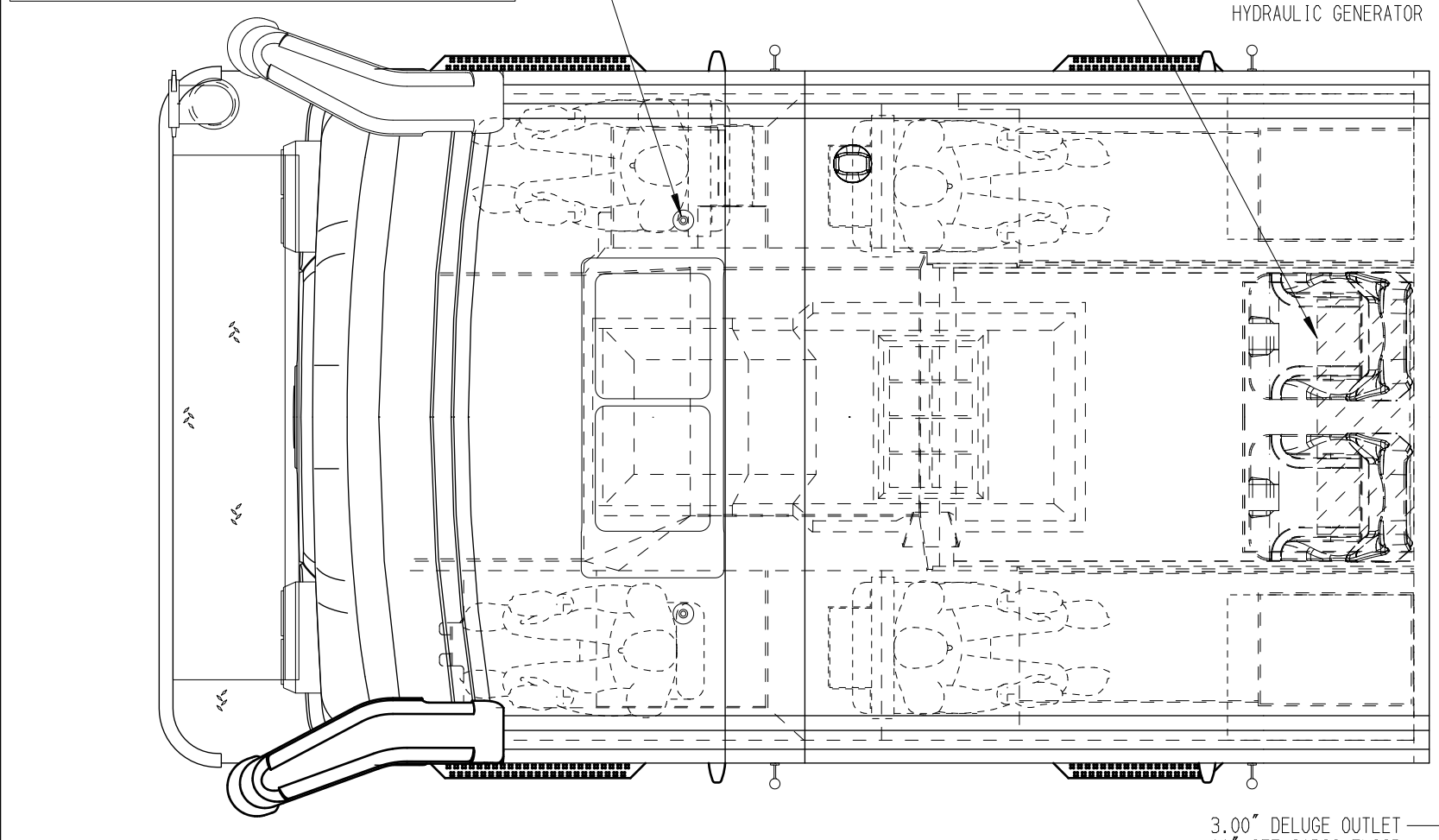
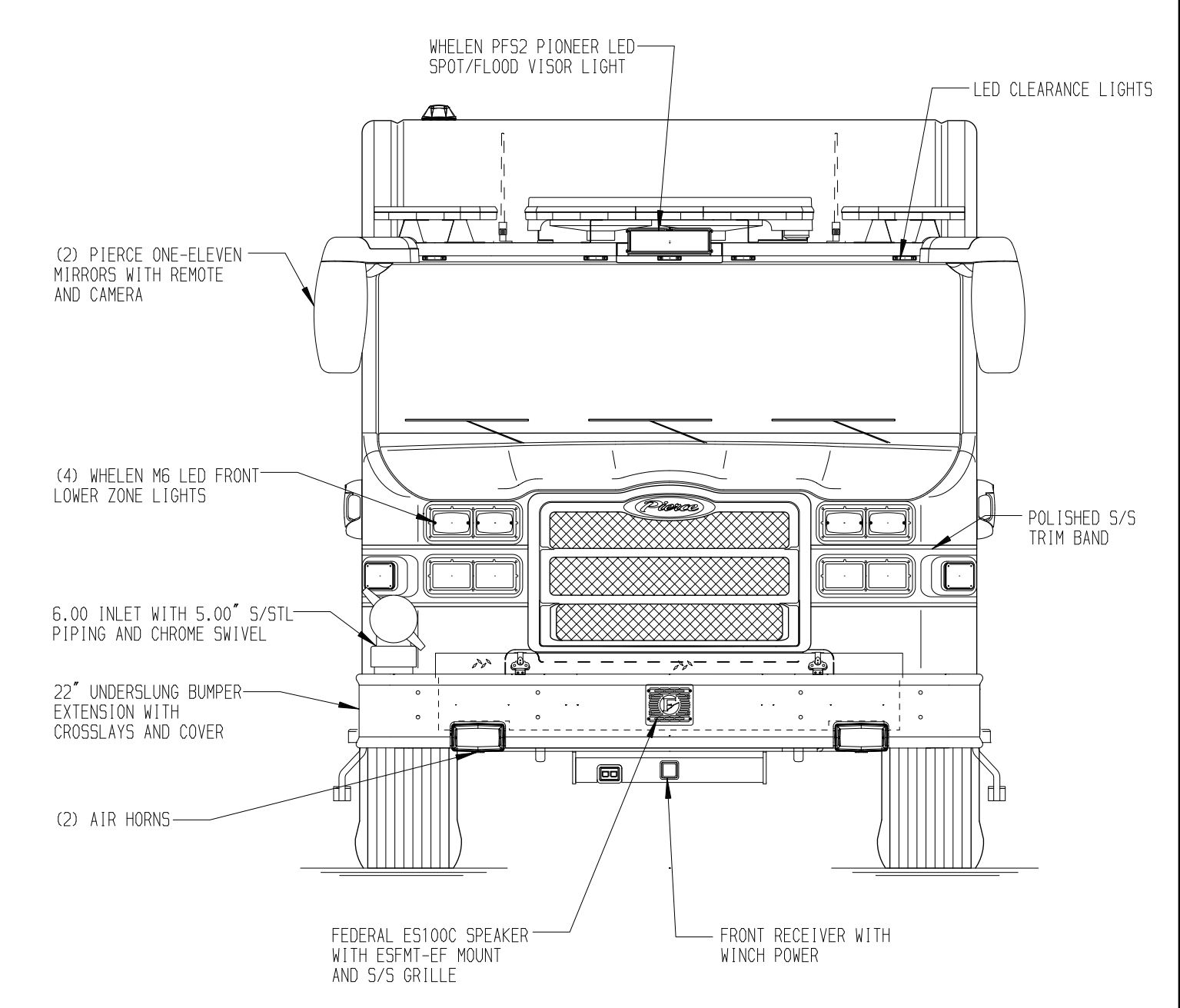
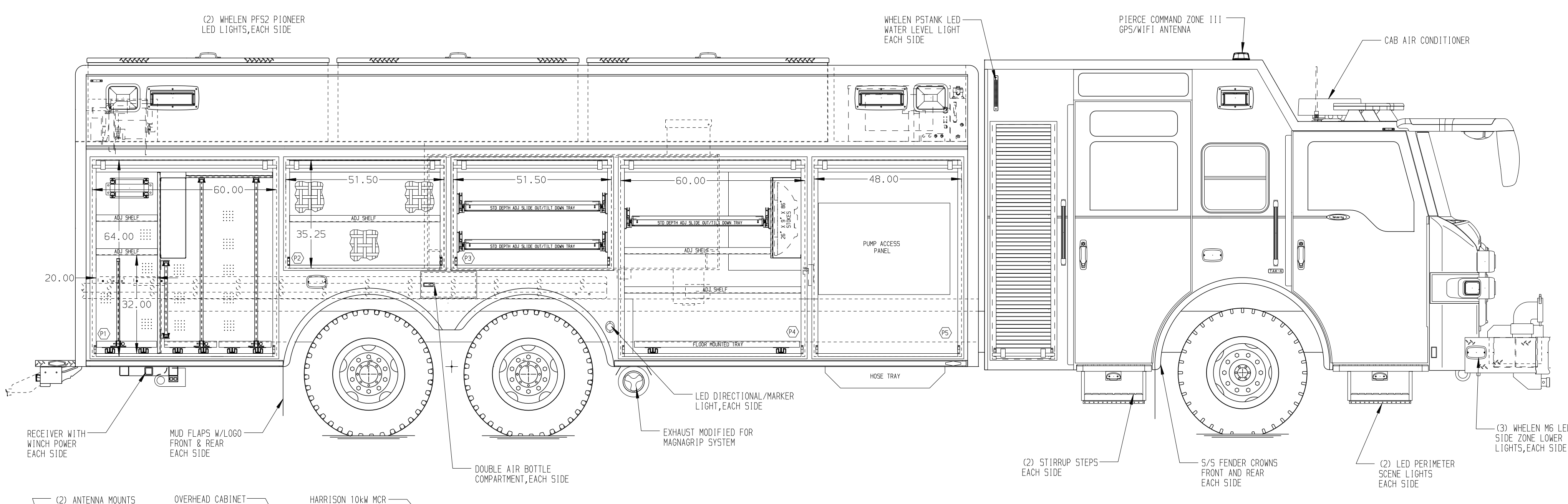
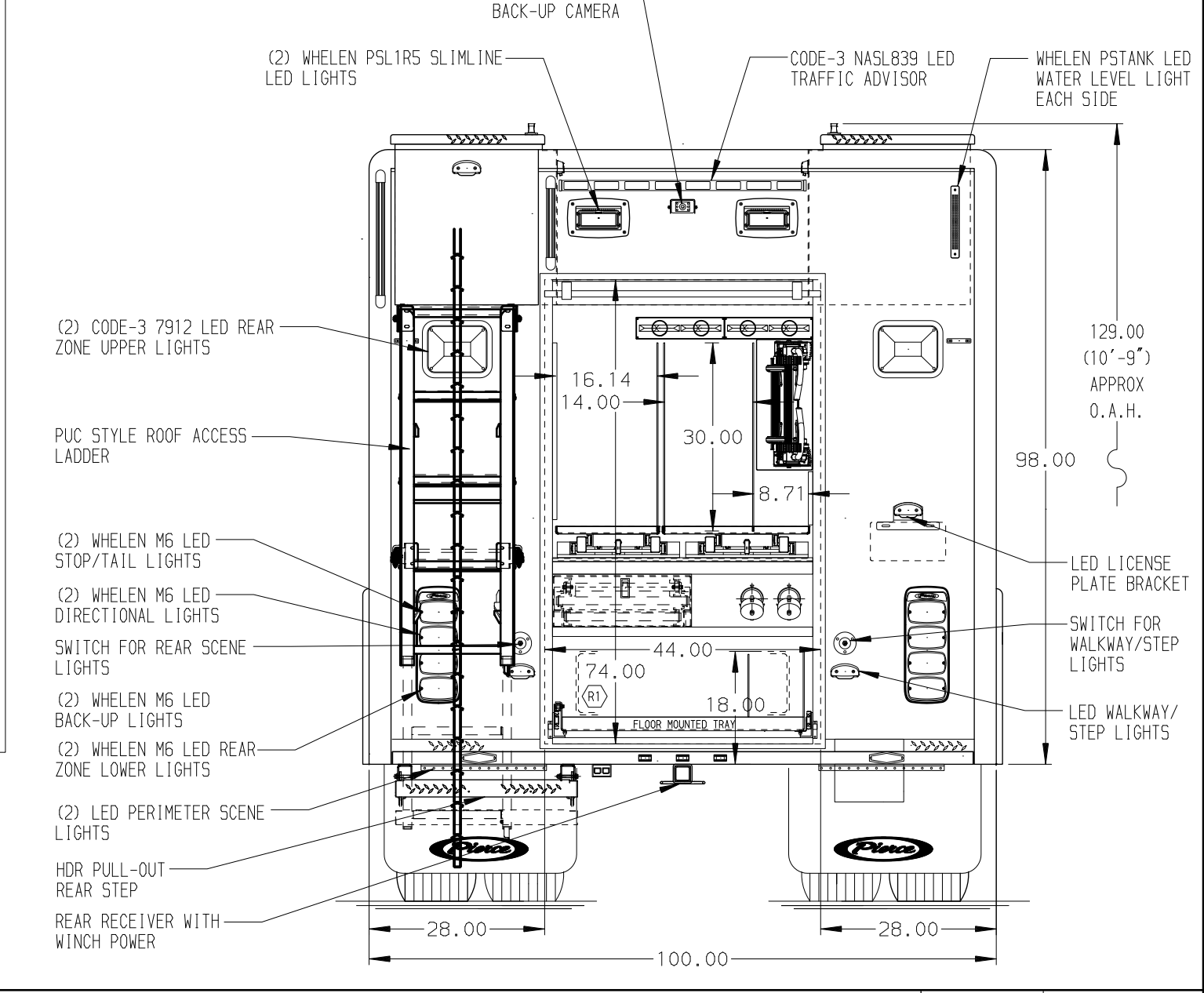


- PASSENGER'S SIDE COMPARTMENTS CONTAIN THE FOLLOWING:
- COMPARTMENT P1 CONTAINS:
 - (1) VERTICAL COMPARTMENT DIVIDER
 - (1) RACK FOR AIR BAG
 - (2) STD DEPTH ADJ SHELVES
 - (3) FLOOR MOUNTED TRAYS WITH ADJUSTABLE TOOLBOARDS
 - PEGBOARD ON REAR WALL OF COMPARTMENT
 - (1) ELECTRIC CORD REEL WITH 200' OF 12/3 YELLOW CORD
 - (1) WALL MOUNTED TOOL BOARD W/TRACK
- COMPARTMENT P2 CONTAINS:
 - CARGO RETENTION NETTING
 - (1) STD DEPTH ADJ SHELF
- COMPARTMENT P3 CONTAINS:
 - (2) STD DEPTH ADJ SLIDE OUT/TILT TRAYS
- COMPARTMENT P4 CONTAINS:
 - (1) CAB LIFT CONTROLLER
 - (1) STOKES BASKET RACK
 - (1) FLOOR MOUNTED TRAY
 - (2) STD DEPTH ADJ SHELVES
 - (1) STD DEPTH ADJ SLIDE OUT/TILT TRAY
 - (1) FLOOR MOUNTED TRAY
- COMPARTMENT P5 CONTAINS:
 -



- DRIVER'S SIDE COMPARTMENTS CONTAIN THE FOLLOWING:
- COMPARTMENT D1 CONTAINS:
 - (1) STD DEPTH ADJ SHELF
 - (1) STD DEPTH ADJ SLIDE OUT/TILT TRAY
 - (1) FLOOR MOUNTED TRAY
 - (2) STD DEPTH ADJ SLIDE OUT TOOLBOARDS
 - (1) VERTICAL COMPARTMENT DIVIDER
 - (1) ELECTRIC CORD REEL WITH 200' OF 12/3 YELLOW CORD
- COMPARTMENT D2 CONTAINS:
 - (2) STD DEPTH ADJ SLIDE OUT/TILT TRAYS
- COMPARTMENT D3 CONTAINS:
 - (1) RACK FOR 3 SCBA BOTTLES
 - (1) RACK FOR 3 EXTINGUISHERS
 - (2) SPECIAL SIZE STORAGE RACKS
- COMPARTMENT D4 CONTAINS:
 - (1) SLIDE OUT TOOL DRAWER
 - (1) STOKES BASKET RACK
 - (1) VERTICAL COMPARTMENT DIVIDER
 - (1) FLOOR MOUNTED TRAY
 - (1) 3/4 DEPTH ADJ SLIDE OUT TOOLBOARD
 - (1) SWING OUT TOOLBOARD
 - (1) CIRCUIT BREAKER PANEL
 - (1) GENERATOR METER PANEL
- COMPARTMENT D5 CONTAINS:
 - (1) KUSSMAUL 1200 CHARGER
 - (1) NIGHT SCAN CONTROLLER

- REAR COMPARTMENT CONTAINS THE FOLLOWING:
- COMPARTMENT R1 CONTAINS:
 - (1) FLOOR MOUNTED TRAY W/SIDE SLIDES
 - (1) HORIZONTAL FLOOR EXTENSION
 - (2) SLIDEMASTER TRAYS WITH DIVIDERS FOR HOSE (108" DEEP, SET BACK IN COMPT
 - (1) RACK FOR 4 PIKE POLES
 - (1) RACK FOR 24" 2-SECTION LADDER AND 14" ROOF LADDER
 - (2) 2.5" OUTLETS GET BACK 12" FROM DOOR
 - (1) RACK FOR LITTLE GIANT LADDER
 - (1) DIVIDER IN FLOOR MOUNTED TRAY
 - (2) WALL DIVIDERS



NOTE
 DIMENSIONS SHOWN ARE APPROXIMATE AND ARE SUBJECT TO MINOR DEVIATIONS AS MAY OCCUR OR BE NECESSARY IN CONSTRUCTION. MINOR DETAILS NOT SHOWN.

- NOTES:
 1. BRUSHED S/5 SCUFFPLATES ON DRIVER, PASSENGERS AND REAR OF ENGINE TUNNEL
 2. POLISHED 5/5 SCUFFPLATES ON CAB DOOR JAMBS
 3. BRUSHED S/5 GUARDS ON REAR CAB CORNERS
 4. FLOOR IN CAB AND CREW CAB TO BE PADDED RUBBER
 5. LED STRIP LIGHTS IN ALL BODY AND HATCH COMPARTMENTS WITH METAL FASTENERS
 6. HALF Q-MAX-1500 1500 GPM WATER PUMP



CLEAR DOOR WIDTH KEY		CHASSIS DATA	
AMOR ROLL UP DOORS:	-1 7/8"	18AUG17	DHE CDK
CORTITE ROLL UP DOORS:	-2 3/4"	15JUN17	DHE SBR
PIERCE DOUBLE LIP DOORS:	-4 1/4"	19APR17	DHE CDK
PIERCE LIFT-UP LAP DOORS:	-1 1/2"		
(EX: 60" F-F = 1 7/8" = 58 1/8" CLEAR) (F-F) = FRAME TO FRAME		REV	DATE BY CH
			VXFR8420

		JOB NO.	30929
		SCALE	DATE
TITLE	HEAVY DUTY RESCUE NON-WALKIN	DRAWN BY	DHE 10APR17
FOR	SCHAUMBURG FIRE DEPARTMENT SCHAUMBURG, IL	CHECKED BY	CDK 10APR17
DWG NO.	30929AD	SHEET SIZE	SHEET NO.
			D 1 OF 1

(SIDE ROLL & FRONTAL IMPACT PROTECTION)