

Installation Instructions

WALL PLENUM AND LOUVER



For use with VRP Units

MODELS: VRPXWPA-8 / VRPXWPB-8 / VRPXWPA-14/ VRPXWPB-14

Please read these instructions completely before attempting installation.

NOTE: These instructions apply to VRP Units ONLY. Refer to Chassis Installation/Operation Manual for additional information.

Parts included in this kit:

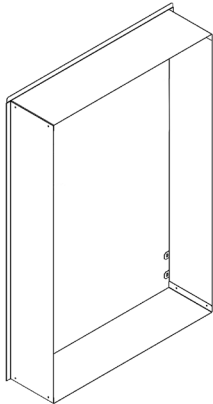
- A. 1 - Outside Wall Plenum
- B. 1- Inside Wall Plenum
- C. 1 - Divider
- D. 1 - Baffle

IMPORTANT

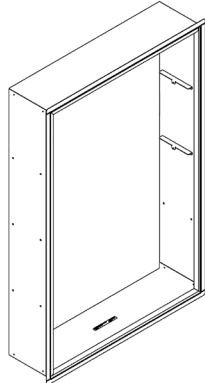
Your Wall Plenum will work only if installed correctly. Take note to install it in the correct orientation as shown in the illustrations. Always Follow Local and National Codes for Proper Installation.

PLENUM KIT

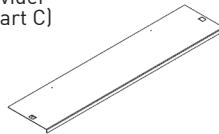
Outside Plenum
(Part A)



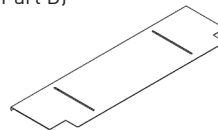
Inside Plenum
(Part B)



Divider
(Part C)



Baffle
(Part D)



FIELD SUPPLIED PARTS

Caulk, Attachment screws and Flashing are field supplied. Silicone caulk is recommended.

VRPXWPA-8 / VRPXWPB-8
adjust for walls up to 4" - 8.0" thick.

VRPXWPA-14/VRPXWPB-14
Adjust for walls up to 8" - 14.0" thick

All Installations are similar

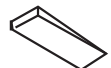


Caulk

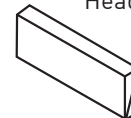
Flashing



Shim



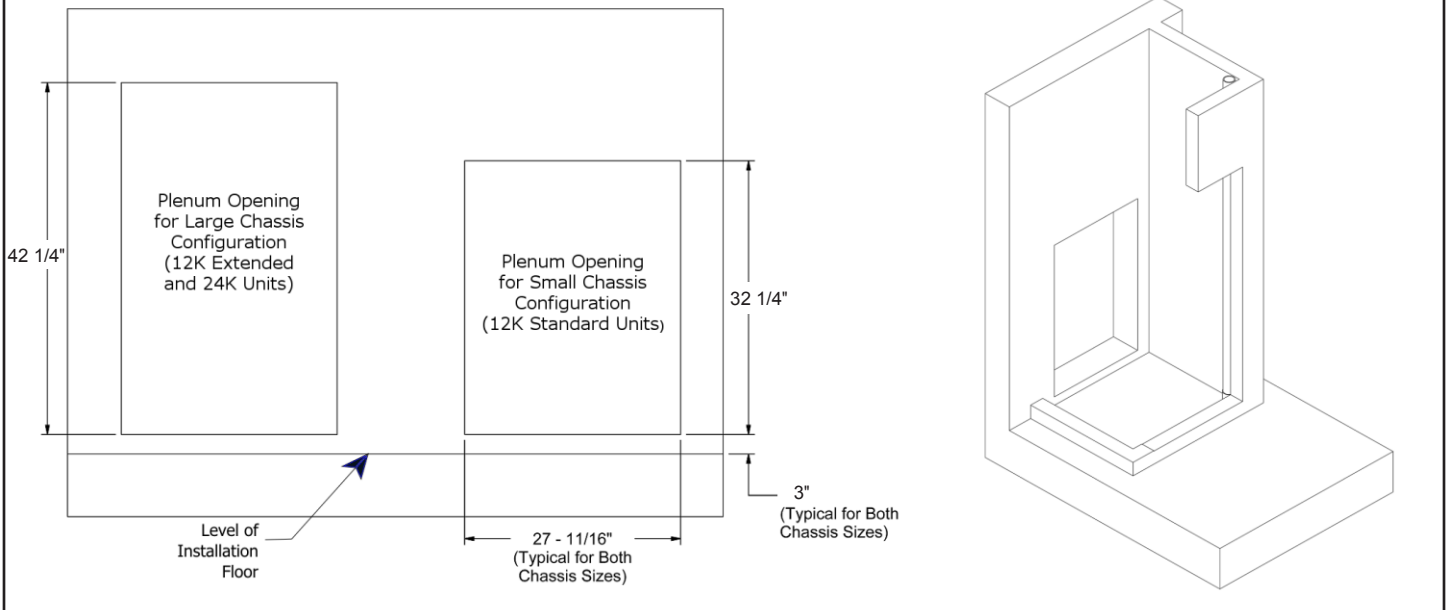
Header materials / wall studs



1" - 3" Screws to attach
the plenum assembly to
the wall studs

OUTSIDE WALL PLENUM OPENING:

The image to the right shows the installation closet for the Front Install configuration (where the wall plenum is opposite the service access door). The near wall has been trimmed away at the door centerline to permit full view of the installation.



The plenum cut out dimensions is

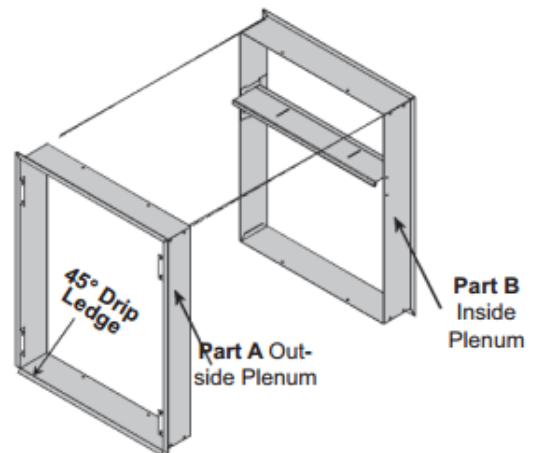
- 27 11/16" " wide x 32 1/4" high for units with compact plenum and louver combo (Only for 12000 Btu units)
- 27 11/16" " wide x 42 1/4" high for units with standard plenum and louver combo (12000 / 24000 Btu units).
The bottom of the rough in opening must be 3" from the surface the unit will sit on.

Measure your outside wall as shown in the illustration. Cut, frame, and square rough opening. The Wall plenum has a 3/4" break all the way around to cover the rough cut opening or required shim.

Correct Orientation:

Wall Plenum Part A Correct Orientation: Louver attachment flanges toward the building outside, 45° Drip Ledge at the bottom.

Wall Plenum Part B Correct Orientation: Large opening to bottom; 3/4" flange toward the inside of the building



PLENUM INSTALLATION:

IMPORTANT

The Architectural Louver is best installed onto the Outside Plenum (Part A) PRIOR to the Wall Plenum installation. The louver installation is easier at this point, and it will help keep the Wall Plenum square during installation.

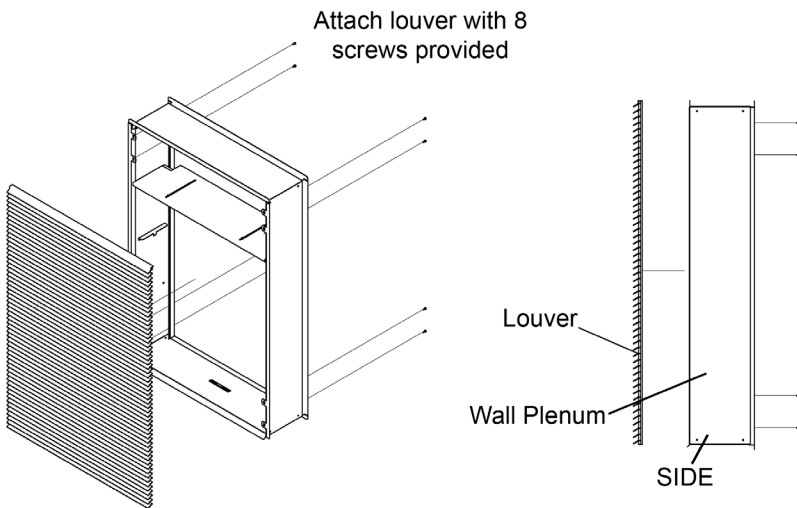
Alternatively, the installer can assemble the Outside Plenum (Part A) to the framed opening and then attach the exterior architectural grill to the installed plenum half.

The contractor should determine which method is most appropriate to the particular installation site on a case by case basis. Both are considered equivalent for the purposes of this manual.

(The louver is attached using 8x threaded fasteners, provided with the louver kit. These fasteners pass through the outside plenum half mounting brackets, from the inside, into the vertical frame members of the louver.)

INSTALLATION OF THE LOUVER PRIOR TO WALL PLENUM INSTALLATION

Hold the louver up to the Outside Wall Plenum Part A and line up the louver top with the very top edge of the 3/4" flange. Line up the Wall Plenum holes with the threaded holes in the louver, install and tighten the eight screws.



NOTE: Louvers & Drip Ledge orientation is down

Optional Pre-assembled Outside Element (Grill and Plenum)

IMPORTANT

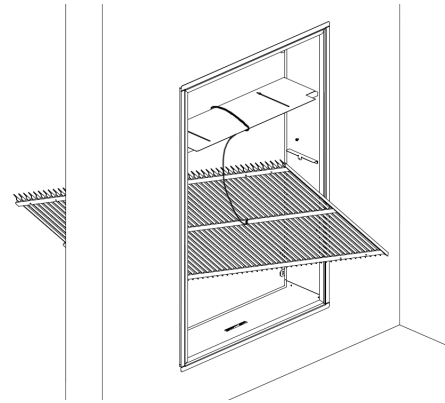
The wall plenum is not designed to carry any structural load. A proper structural header must be built into the rough opening. The plenum installation requires flashing, shimming and caulking in order to provide a weather-resistant installation. It is the responsibility of the contractor to install the plenum and to meet all applicable building code requirements.

INSTALLATION OF THE LOUVER AFTER THE INSTALLATION OF WALL PLENUM

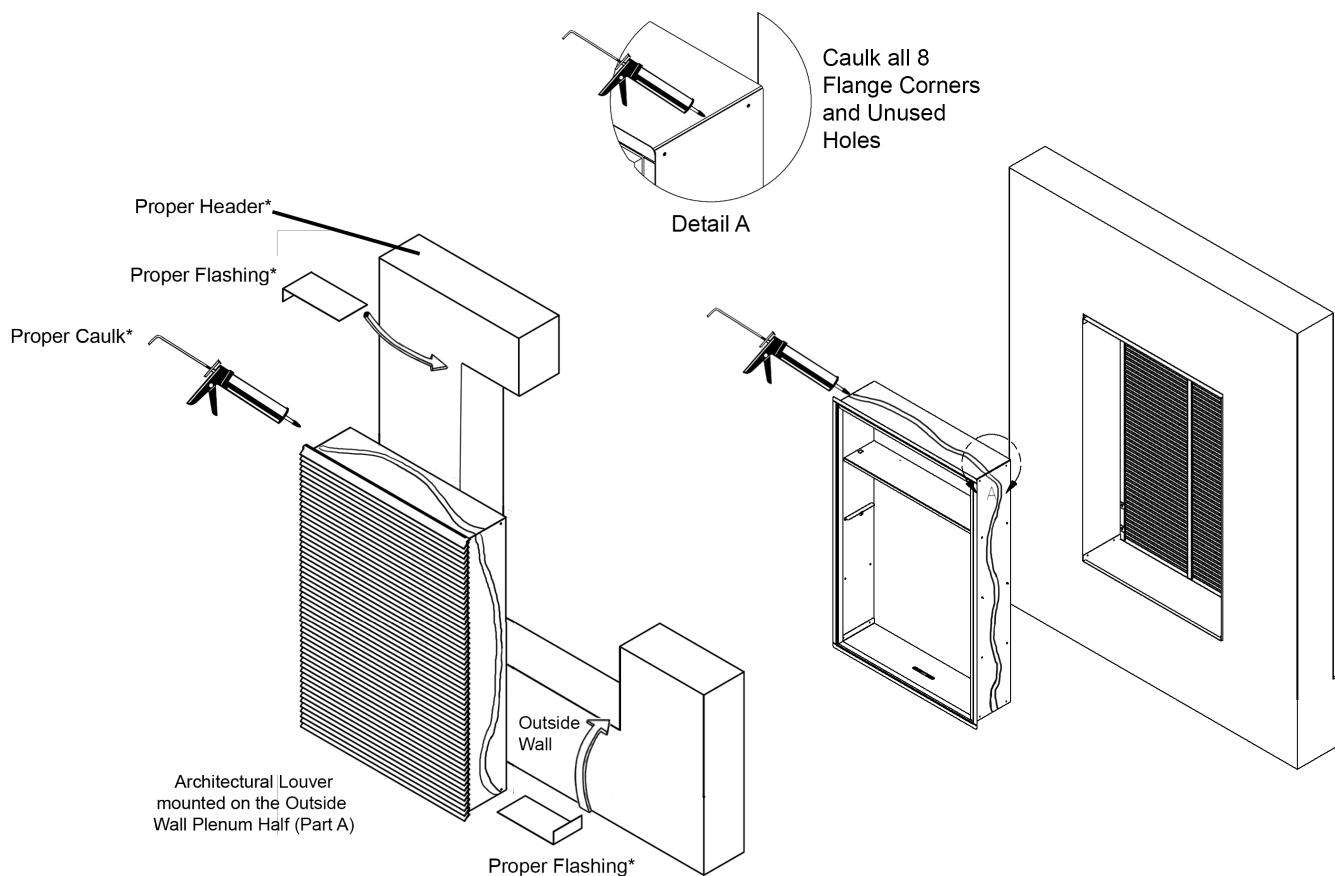
For safety, tie a rope or tether to the Architectural Louver, then to the divider in the Wall Plenum. This will prevent the louver from falling from the building if it is dropped.

From inside the utility closet:

1. Grasp the louver as shown in the illustration.
2. Turn the louver sideways and push the louver out the bottom opening in the Wall Plenum.
3. Pull the louver back against the Wall Plenum and align the holes.
4. Insert and tighten all screws. When the louver is secured, remove the safety tether.



Note: Proper header and wall penetration must conform to all national and local codes.



After the rough opening is prepared you are ready to assemble the two wall plenum parts. Before caulking and permanent attachment, dry fit the outside plenum into the rough opening and check for fit and level. Caulk (silicone recommended) the parts well and insert them into the wall as shown.

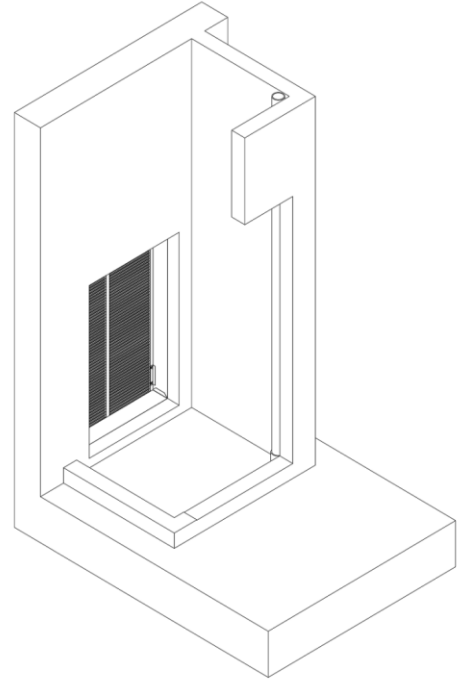
1. Apply caulk and insert Outside Part A into the hole.
2. Apply caulk and insert inside Part B into Part A. Be sure that Part A does not back out of the hole.

INSTALLATION FINAL STEPS

Figure on the right shows the outside wall plenum (Part A) along with the louver installed into the framed wall opening.

The inside wall plenum (Part B), shown below, is then assembled to the framed opening. The inside plenum part slips inside of the outside plenum part.

Again, flashing, shimming and caulking should be used as necessary to ensure a weatherproof seal



Part B

