

PURCHASER	P.O. #	DATE
PROJECT	LOCATION	
ENGINEER	ARCHITECT	
SUBMITTED BY	FOR APPROVAL	FOR REFERENCE

ITEM	PLAN DESIGNATION	QUANTITY	COOLING BTU/H	VOLTAGE	FRIEDRICH MODEL

Features

- 230/208 Single Zone Heat Pump
- Precision Inverter® technology (variable speed compressor)
- Soft start compressor
- BLDC motor
- High efficiency for low operating cost
- DiamonBlue Advanced Corrosion Protection®
- Auto Clean indoor coil
- Cooling/Heating/Fan/Auto mode
- Surge Cool/Heat
- Natural air flow
- Ultra quiet operation
- Sleep mode
- Auto restart
- Auto changeover
- 24-hour on/off timer
- ENERGY STAR® qualified model
- Hidden display (only visible during operation)



FRHSW09A3A, FRHSW12A3A



WIRELESS
REMOTE CONTROL



FRHSR09A3A, FRHSR12A3A

OPERATION IN EXTREME CONDITIONS

- Low ambient operation down to 0° F (Cooling mode)
- Low ambient operation down to -13° F (Heating mode)



SPECIFICATIONS

PERFORMANCE RATINGS		Single Zone Wall-Mounted - Heat Pumps	
		9k	12k
SYSTEM MODEL NO.		FRHW093	FRHW123
INDOOR MODEL		FRHSW09A3A	FRHSW12A3A
OUTDOOR MODEL		FRHSR09A3A	FRHSR12A3A
SPECIFICATIONS			
CAPACITY COOLING (RATED)	Btu	9,000	12,000
CAPACITY COOLING (MIN-MAX)	Btu	3600-10000	4000-13500
CAPACITY HEATING @47°F (RATED)	Btu	10,715	12,957
CAPACITY HEATING @17°F (RATED)	Btu	6,433	8,030
CAPACITY HEATING (MIN-MAX)	Btu	3600-10500	4000-14000
COOLING AMPS		2.3	4.6
HEATING AMPS		3.4	4.8
SENSIBLE HEAT RATIO		0.85	0.85
SEER		28.0	25.0
EER		16.1	15.4
HSPF		12.5	12.0
ENERGY STAR		Yes	Yes
MOISTURE REMOVAL	Pts/h	1.90	2.54
AIRFLOW (QUIET, LOW, MED, HIGH)	CFM	416/384/355/279	598/536/446/345
SOUND RATING - INDOOR	dB-A	39/34/31/28	45/41/39/36
SOUND RATING - OUTDOOR	dB-A	55	55
OPERATING RANGE (COOLING)	°F	0°-115°	0°-115°
OPERATING RANGE (HEATING)	°F	-13°-75°	-13°-75°
EST. YEARLY OPERATING COST	\$	42	63
ELECTRICAL DATA			
POWER SOURCE	V	208/230/60/1	208/230/60/1
MINIMUM AMPACITY	A	10A	12A
COOLING WATTS	W	560	775
HEATING WATTS	W	770	850
MAX. TD FUSE/BREAKER	A	15	15
POWER AND COMMUNICATION CABLE	No. x AWG	4 x 14	4 x 14
REFRIGERATION SYSTEM			
REFRIGERANT		R410A	R410A
COMPRESSOR TYPE		Rotary	Rotary
CONNECTIONS		Flare	Flare
LIQUID LINE O.D.	in	1/4	1/4
SUCTION LINE O.D.	in	3/8	3/8
FACTORY PRECHARGE	ft	24.6	24.6
REFRIGERANT CHARGE	oz	38.8	45.9
MIN./MAX. LINE LENGTH	ft	65.4	65.4
MAX. HEIGHT DIFFERENCE	ft	16.4	16.4
DIMENSIONS & WEIGHT			
INDOOR UNIT			
W X H X D	in	32 7/8 x 11 x 8 11/16	36 x 12 3/8 x 9 5/16
NET WEIGHT	lbs	19.8	28.6
SHIPPING WEIGHT	lbs	24.2	33.0
OUTDOOR UNIT			
W X H X D	in	31 7/8 x 23 x 11	31 7/8 x 23 x 11
NET WEIGHT	lbs	72.6	72.6
SHIPPING WEIGHT	lbs	79.2	79.2
TOTAL NET WEIGHT	lbs	92.4	101.2
TOTAL SHIPPING WEIGHT	lbs	103.4	112.2

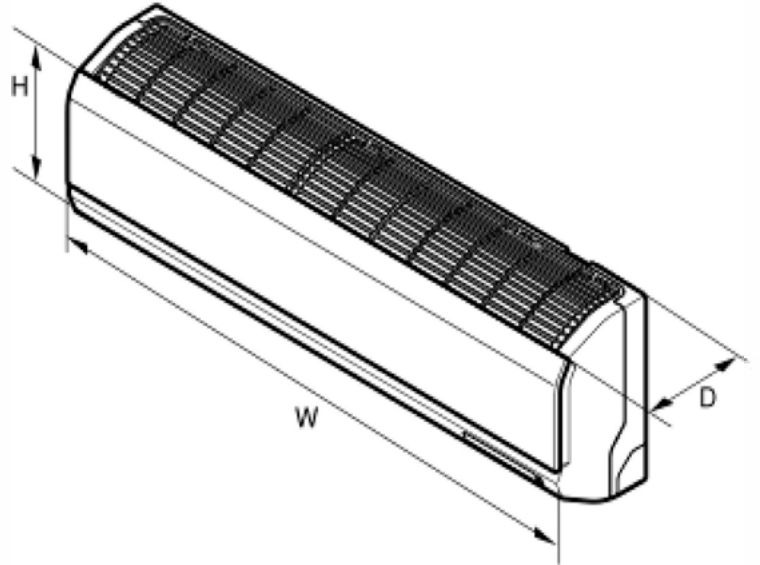
Your operating costs will depend on your utility rates and use. The estimated operating cost is based on a electricity cost of \$.12 per kWh. For more information, visit www.ftc.gov/energy.

Due to continuing research in new energy-saving technology, specifications are subject to change without notice.



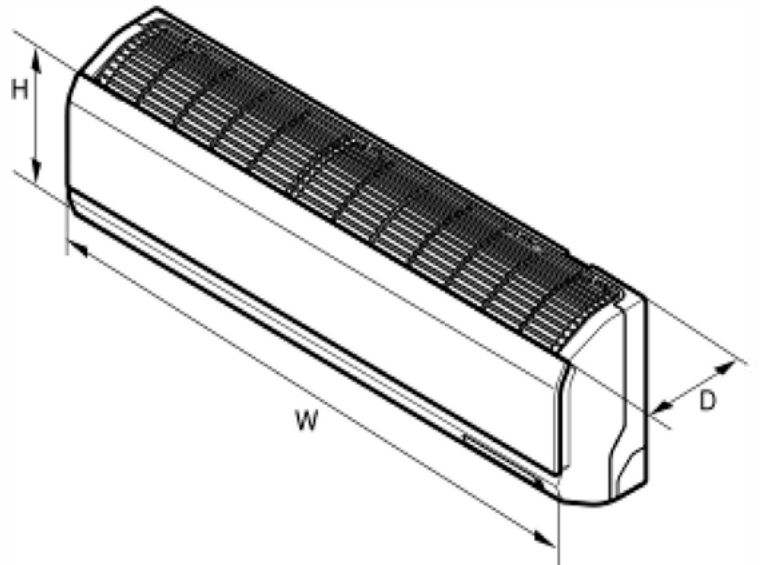
DIMENSIONAL DRAWINGS
INDOOR UNIT / FRHSW09A3A

	W	H	D
FRHSW09A3A	33 7/8"	11 3/16"	8 1/2"



INDOOR UNIT / FRHSW12A3A

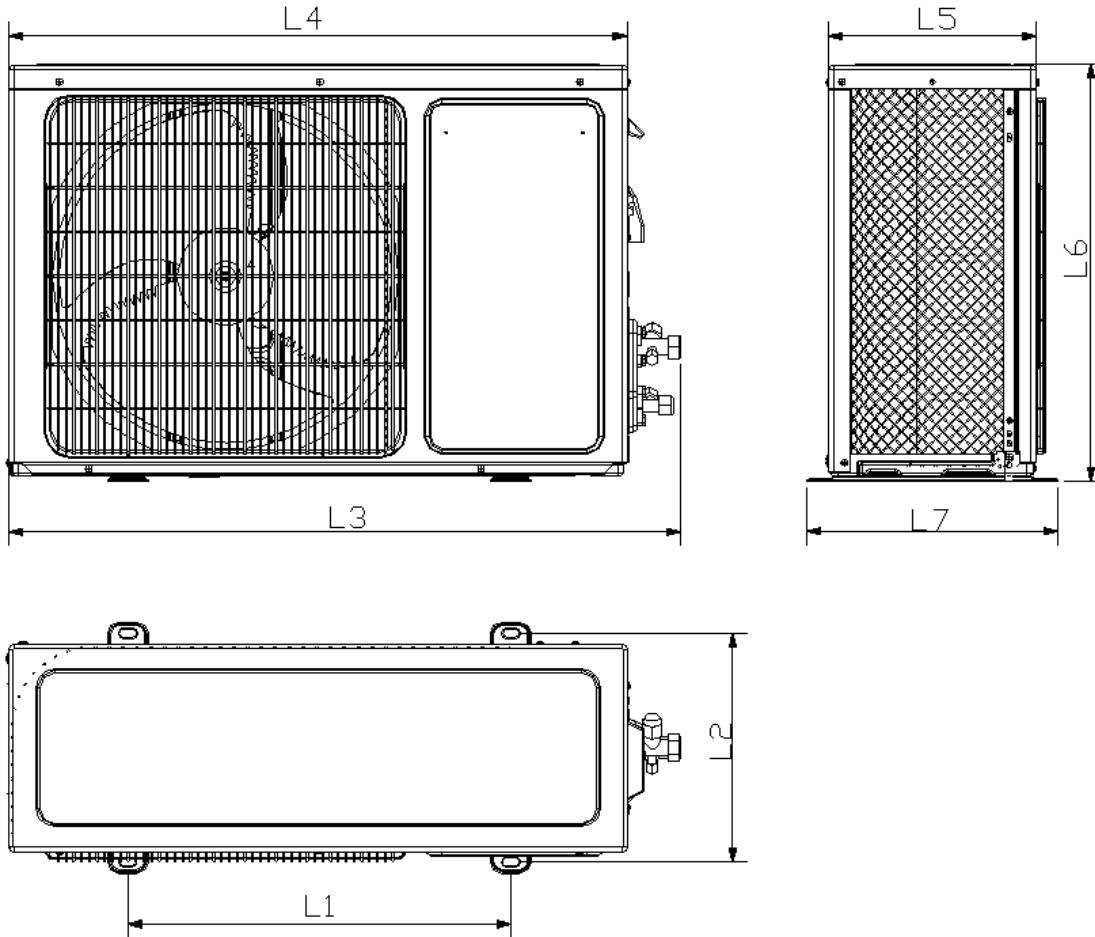
	W	H	D
FRHSW12A3A	38 1/8"	13 1/8"	9 15/16"



DIMENSIONAL DRAWINGS

OUTDOOR UNITS / FRHSR09A3A, FRSHR12A3A

Outdoor units:



				Width	Depth	Height	
Model	L1 (in.)	L2 (in.)	L3 (in.)	L4 (in.)	L5 (in.)	L6 (in.)	L7 (in.)
FRHSR09A3A	20 1/16	12 19/32	34 7/8	31 7/8	11	23	13
FRHSR12A3A							

ACCESSORIES

REFRIGERATION LINE SETS* (Required accessory)

Kit#	Length (ft.)	Liquid	Suction	System Model
T32350	35'	1/4"	3/8"	FRHW093
				FRHW123

*Insulated line sets are available for all Friedrich split systems in 15 ft. and 35 ft. lengths. Each line set is equipped with flare nuts on both ends. Both liquid and suction lines are insulated. Line sets can be joined together with field supplied double male connectors. Each system requires one line set for each indoor unit installed.

REFRIGERATION LINE SETS MIN./MAX. LENGTHS

Floating Air® Premier		
System Model	Min. (ft.)	Max. (ft.)
FRHW093	10	66
FRHW123	10	66

TORQUE WRENCH SETTINGS

Outside Diameter		Torque	
mm	inch	ft-lbs.	N·m
6.35	1/4	13 – 18	17.6 – 24.5
9.52	3/8	25 – 30	33.3 – 41.2
12.7	1/2	40 – 47	53.9 – 64.7
15.88	5/8	45 – 59	61.7 – 80.4