

| | | |
|--------------|--------------|---------------|
| PURCHASER | P.O. # | DATE |
| PROJECT | LOCATION | |
| ENGINEER | ARCHITECT | |
| SUBMITTED BY | FOR APPROVAL | FOR REFERENCE |

| ITEM | PLAN DESIGNATION | QUANTITY | COOLING BTU/H | VOLTAGE | FRIEDRICH MODEL |
|------|------------------|----------|---------------|---------|-----------------|
| | | | | | |
| | | | | | |
| | | | | | |
| | | | | | |
| | | | | | |

Features

- 115V Single Zone Heat Pump
- Precision Inverter® technology (variable speed compressor)
- Soft start compressor
- BLDC motor
- High efficiency for low operating cost
- DiamonBlue Advanced Corrosion Protection®
- Auto Clean indoor coil
- Cooling/Heating/Fan/Auto mode
- Surge Cool/Heat
- Natural air flow
- Ultra quiet operation
- Sleep mode
- Auto restart
- Auto changeover
- 24-hour on/off timer
- ENERGY STAR® qualified model
- Hidden display (only visible during operation)



FRHSW09A1A, FRHSW12A1A



WIRELESS
REMOTE CONTROL



FRHSR09A1A, FRHSR12A1A

OPERATION IN EXTREME CONDITIONS

- Low ambient operation down to 5° F (Cooling mode)
- Low ambient operation down to -4° F (Heating mode)



SPECIFICATIONS

| PERFORMANCE RATINGS | | 115 volt models | |
|--------------------------------------|------------|--------------------------|------------------|
| SYSTEM MODEL NO. | | FPHW091 | FPHW121 |
| INDOOR MODEL | | FPHSW09A1A | FPHSW12A1A |
| OUTDOOR MODEL | | FPHSR09A1A | FPHSR12A1A |
| SPECIFICATIONS | | | |
| CAPACITY COOLING (RATED) | Btu | 9000 | 12000 |
| CAPACITY COOLING MIN - MAX | Btu | 3600-10000 | 4000-13500 |
| COOLING AMPS | | 3.1 | 4.1 |
| HEATING AMPS | | 3.3 | 5.0 |
| SENSIBLE HEAT RATIO | | 76% | 77% |
| CAPACITY HEATING (RATED) @ 47°F | Btu | 9500 | 13000 |
| CAPACITY HEATING MIN - MAX | Btu | 3600-10500 | 4000-14000 |
| CAPACITY HEATING (RATED) @ 17°F | Btu | 5000 | 7500 |
| COP | | 3.56 | 3.46 |
| HSPF | | 10 | 10 |
| SEER | | 19.5 | 22.0 |
| EER | | 12.8 | 12.5 |
| MOISTURE REMOVAL | Pts/h | 1.9 | 2.5 |
| AIRFLOW (HIGH/MED/LOW/QUIET) | CFM | 424/382/323/247 | 424/382/323/247 |
| SOUND RATING - INDOOR (HIGH/MED/LOW) | dB-A | 38/32/29 | 39/32/29 |
| SOUND RATING - OUTDOOR | dB-A | 53 | 53 |
| OPERATING RANGE (HEATING) | °F | [-4° - 75°] | [-4° - 75°] |
| OPERATING RANGE (COOLING) | °F | [5° - 115°] | [5° - 115°] |
| EST. YEARLY OPERATING COST | U.S. \$ | \$61 | \$72 |
| ELECTRICAL DATA | | | |
| POWER SOURCE | V/Hz/Phase | 115V~,60Hz,1P | 115V~,60Hz,1P |
| MIN. AMPACITY | A | 13.5 | 16.5 |
| COOLING WATTS | W | 672 | 960 |
| HEATING WATTS | W | 733 | 1110 |
| MAX. TD FUSE/BREAKER | A | 20 | 25 |
| POWER AND COMMUNICATION CABLE | No. x AWG | 4 x 14AWG | 4 x 14AWG |
| REFRIGERATION SYSTEM | | | |
| REFRIGERANT | | R410a | R410a |
| COMPRESSOR TYPE | | Rotary | Rotary |
| CONNECTIONS | | Flare | Flare |
| LIQUID LINE O.D. | in | 1/4 | 1/4 |
| SUCTION LINE O.D. | in | 3/8 | 3/8 |
| REFRIGERANT CHARGE | oz. | 33.5 | 40.9 |
| FACTORY PRECHARGE | Ft.. | 25 | 25 |
| MIN. / MAX. LINE LENGTH | ft | 9.8-50 | 9.8-50 |
| MAX. HEIGHT DIFFERENCE | ft | 33 | 33 |
| DIMENSIONS & WEIGHT | | | |
| INDOOR UNIT | | | |
| W x H x D | in | 33 7/8 x 11 3/16 x 8 1/2 | |
| NET WEIGHT | lbs | 22 | 22 |
| SHIPPING WEIGHT | lbs | 26.5 | 26.5 |
| OUTDOOR UNIT | | | |
| W x H x D | in | 28 1/8 x 19 x 9 7/16 | 31 7/8 x 23 x 11 |
| NET WEIGHT | lbs | 65 | 78 |
| SHIPPING WEIGHT | lbs | 68 | 82.5 |
| TOTAL NET WEIGHT | lbs | 87 | 100 |
| TOTAL SHIPPING WEIGHT | lbs | 94.5 | 109 |

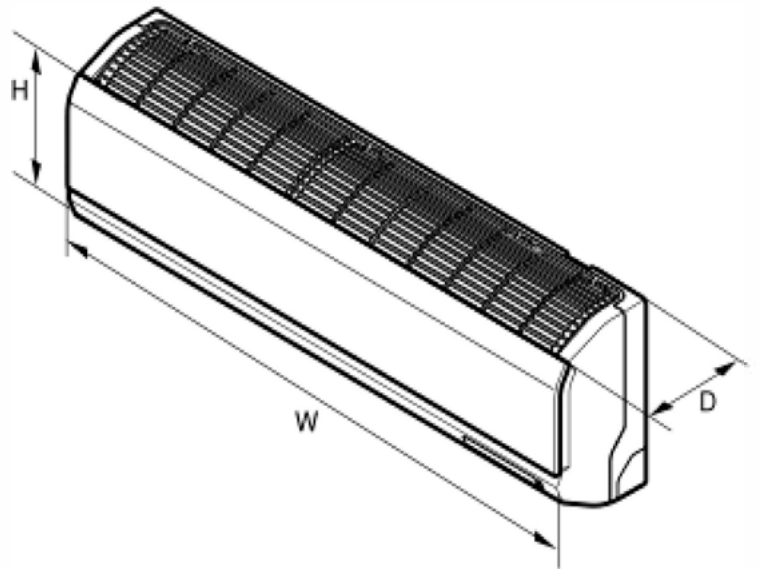
Your operating costs will depend on your utility rates and use. The estimated operating cost is based on a electricity cost of \$.12 per kWh. For more information, visit www.ftc.gov/energy.

Due to continuing research in new energy-saving technology, specifications are subject to change without notice.



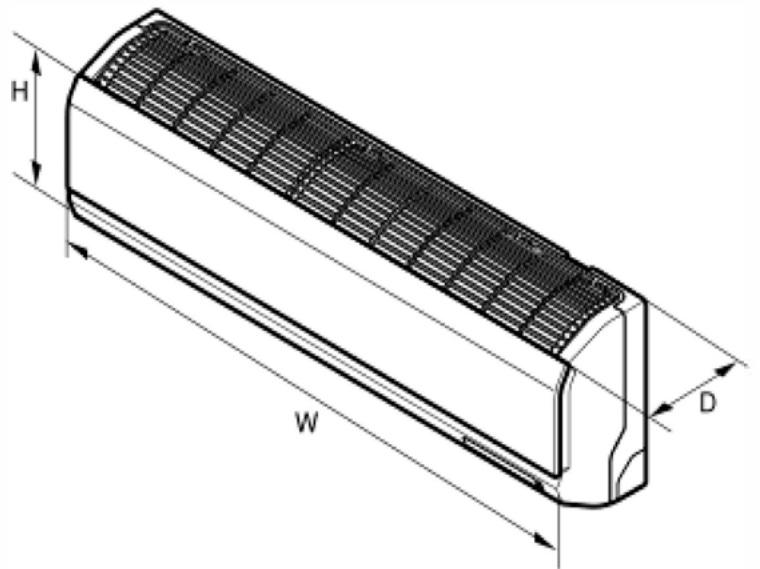
DIMENSIONAL DRAWINGS
INDOOR UNIT / FRHSW09A1A

| | W | H | D |
|------------|---------|----------|--------|
| FRHSW09A1A | 33 7/8" | 11 3/16" | 8 1/2" |



INDOOR UNIT / FRHSW12A1A

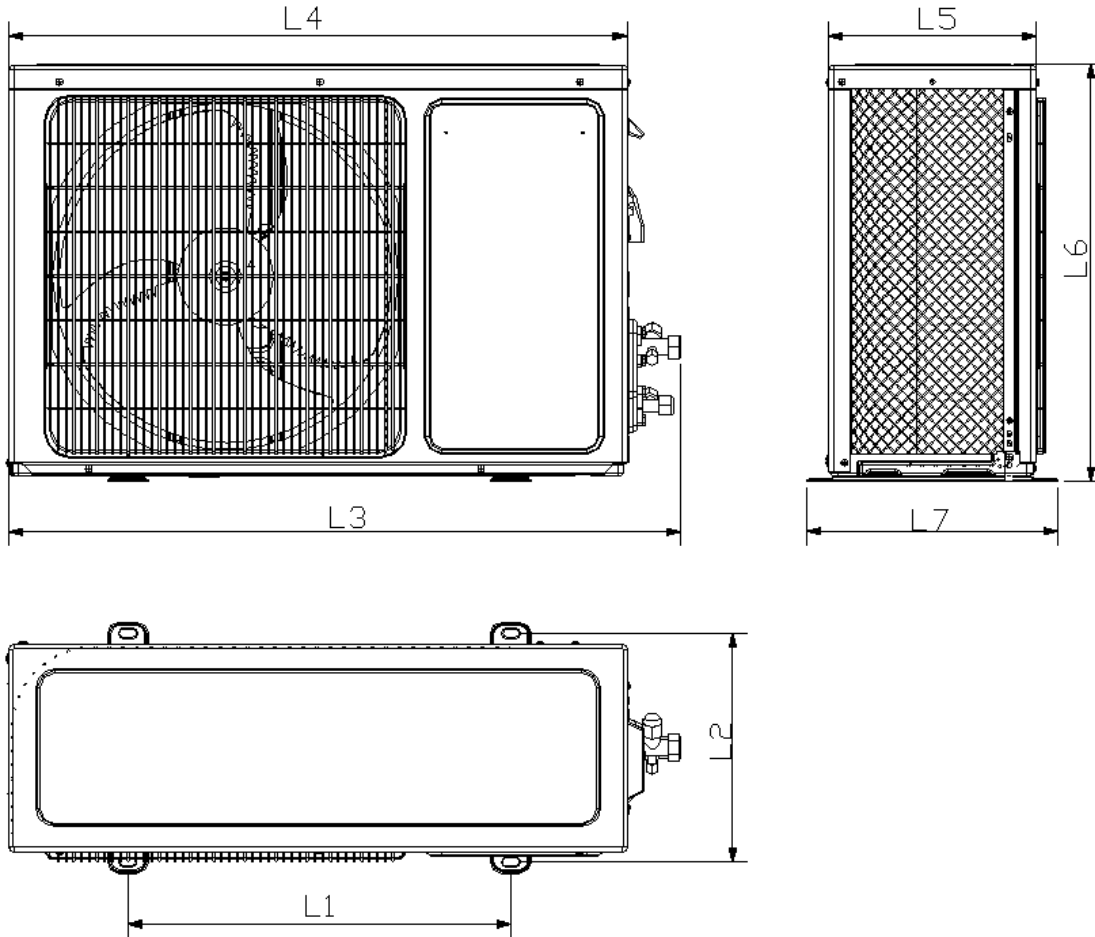
| | W | H | D |
|------------|---------|----------|--------|
| FRHSW12A1A | 33 7/8" | 11 3/16" | 8 1/2" |



DIMENSIONAL DRAWINGS

OUTDOOR UNITS / FRHSR09A1A, FRSHR12A1A

Outdoor units:



| | | | | Width | Depth | Height | |
|------------|-------------|-------------|-------------|-------------|-------------|-------------|-------------|
| Model | L1 (in.) | L2 (in.) | L3 (in.) | L4 (in.) | L5 (in.) | L6 (in.) | L7 (in.) |
| FPHSR09A1A | 17 7/16 | 10 3/8 | 30 9/16 | 28 1/8 | 9 7/16 | 19 | 11 13/32 |
| FPHSR12A1A | 20 1/16 | 12 19/32 | 34 7/8 | 31 7/8 | 11 | 23 | 13 |

ACCESSORIES

REFRIGERATION LINE SETS* (Required accessory)

| Kit# | Length (ft.) | Liquid | Suction | System Model |
|--------|--------------|--------|---------|--------------|
| T32150 | 15' | 1/4" | 3/8" | FPHW091 |
| | | | | FPHW121 |

*Insulated line sets are available for all Friedrich split systems in 15 ft. and 35 ft. lengths. Each line set is equipped with flare nuts on both ends. Both liquid and suction lines are insulated. Line sets can be joined together with field supplied double male connectors. Each system requires one line set for each indoor unit installed.

REFRIGERATION LINE SETS MIN./MAX. LENGTHS

| Floating Air® Premier | | |
|-----------------------|------------|------------|
| System Model | Min. (ft.) | Max. (ft.) |
| FRHW091 | 10 | 50 |
| FRHW121 | 10 | 50 |

TORQUE WRENCH SETTINGS

| Outside Diameter | | Torque | |
|------------------|------|---------|-------------|
| mm | inch | ft-lbs. | N·m |
| 6.35 | 1/4 | 13 - 18 | 17.6 - 24.5 |
| 9.52 | 3/8 | 25 - 30 | 33.3 - 41.2 |
| 12.7 | 1/2 | 40 - 47 | 53.9 - 64.7 |
| 15.88 | 5/8 | 45 - 59 | 61.7 - 80.4 |