

PURCHASER	P.O. #	DATE
PROJECT	LOCATION	
ENGINEER	ARCHITECT	
SUBMITTED BY	FOR APPROVAL	FOR REFERENCE

ITEM	PLAN DESIGNATION	QUANTITY	COOLING BTU/H	VOLTAGE	FRIEDRICH MODEL

Features

- 230/208V Single Zone Heat Pump
- Precision Inverter® technology (variable speed compressor)
- Soft start compressor
- BLDC motor
- High efficiency for low operating cost
- DiamonBlue Advanced Corrosion Protection®
- Auto Clean indoor coil
- Cooling/Heating/Fan/Auto mode
- Surge Cool/Heat
- Natural air flow
- Ultra quiet operation
- Sleep mode
- Auto restart
- Auto changeover
- 24-hour on/off timer
- ENERGY STAR® qualified models
- Hidden display (only visible during operation)



FPHFW09A3A, FPHFW12A3A



WIRELESS
REMOTE CONTROL



FPHSR09A3A, FPHSR12A3A

OPERATION IN EXTREME CONDITIONS

- Low ambient operation down to 5° F (Cooling mode)
- Low ambient operation down to -4° F (Heating mode)



SPECIFICATIONS

PERFORMANCE RATINGS		230/208 volt models	
SYSTEM MODEL NO.		FPHW093	FPHW123
INDOOR MODEL		FPHFW09A3A	FPHFW12A3A
OUTDOOR MODEL		FPHSR09A3A	FPHSR12A3A
SPECIFICATIONS			
CAPACITY COOLING (RATED)	Btu	9000	12000
CAPACITY COOLING MIN - MAX	Btu	3600-10000	4000-13500
COOLING AMPS		3.1	4.1
HEATING AMPS		3.3	5.0
SENSIBLE HEAT RATIO		76%	77%
CAPACITY HEATING (RATED) @ 47°F	Btu	9500	13000
CAPACITY HEATING MIN - MAX	Btu	3600-10500	4000-14000
CAPACITY HEATING (RATED) @ 17°F	Btu	5000	7500
COP		3.88	3.42
HSPF		10.5	10.8
SEER		22.5	22.0
EER		13.7	13.0
MOISTURE REMOVAL	Pts/h	1.9	2.5
AIRFLOW (HIGH/MED/LOW/QUIET)	CFM	424/382/323/247	424/382/323/247
SOUND RATING - INDOOR (HIGH/MED/LOW)	dB-A	38/32/29	39/32/29
SOUND RATING - OUTDOOR	dB-A	53	53
OPERATING RANGE (HEATING)	°F	[-4° - 75°]	[-4° - 75°]
OPERATING RANGE (COOLING)	°F	[5° - 115°]	[5° - 115°]
EST. YEARLY OPERATING COST	U.S. \$	\$53	\$72
ELECTRICAL DATA			
POWER SOURCE	V/Hz/Phase	230V-,208V-,60Hz,1P	230V-,208V-,60Hz,1P
MIN. AMPACITY	A	10	10
COOLING WATTS	W	672	923
HEATING WATTS	W	733	1121
MAX. TD FUSE/BREAKER	A	15	15
POWER AND COMMUNICATION CABLE	No. x AWG	4 x 14AWG	4 x 14AWG
REFRIGERATION SYSTEM			
REFRIGERANT		R410a	R410a
COMPRESSOR TYPE		Rotary	Rotary
CONNECTIONS		Flare	Flare
LIQUID LINE O.D.	in	1/4	1/4
SUCTION LINE O.D.	in	3/8	3/8
REFRIGERANT CHARGE	oz.	33.5	40.9
FACTORY PRECHARGE	Ft.	25	25
MIN. / MAX. LINE LENGTH	ft	9.8-50	9.8-50
MAX. HEIGHT DIFFERENCE	ft	33	33
DIMENSIONS & WEIGHT			
INDOOR UNIT			
W x H x D	in	33 7/8 x 11 3/16 x 8 1/2	
NET WEIGHT	lbs	22	22
SHIPPING WEIGHT	lbs	26.5	26.5
OUTDOOR UNIT			
W x H x D	in	28 1/8 x 19 x 9 7/16	31 7/8 x 23 x 11
NET WEIGHT	lbs	59.5	72.5
SHIPPING WEIGHT	lbs	65	79
TOTAL NET WEIGHT	lbs	81.5	94.5
TOTAL SHIPPING WEIGHT	lbs	91.5	105.5

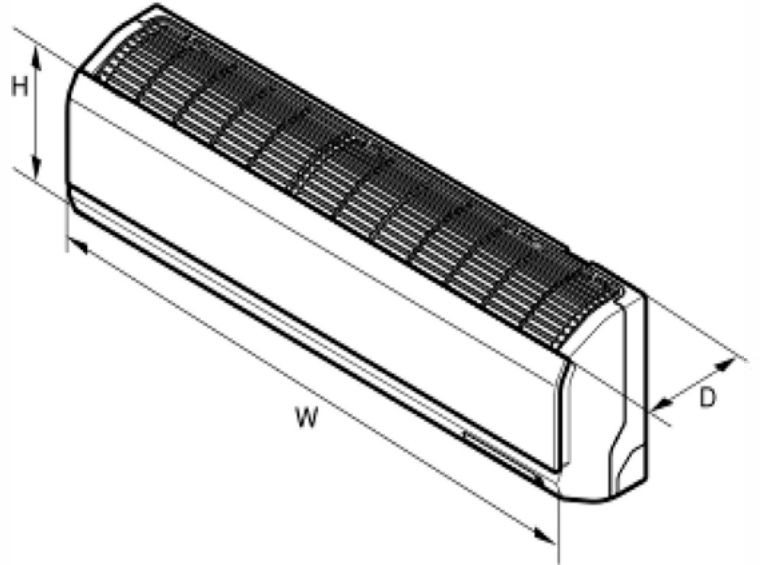
Your operating costs will depend on your utility rates and use. The estimated operating cost is based on a electricity cost of \$.12 per kWh. For more information, visit www.ftc.gov/energy.

Due to continuing research in new energy-saving technology, specifications are subject to change without notice.



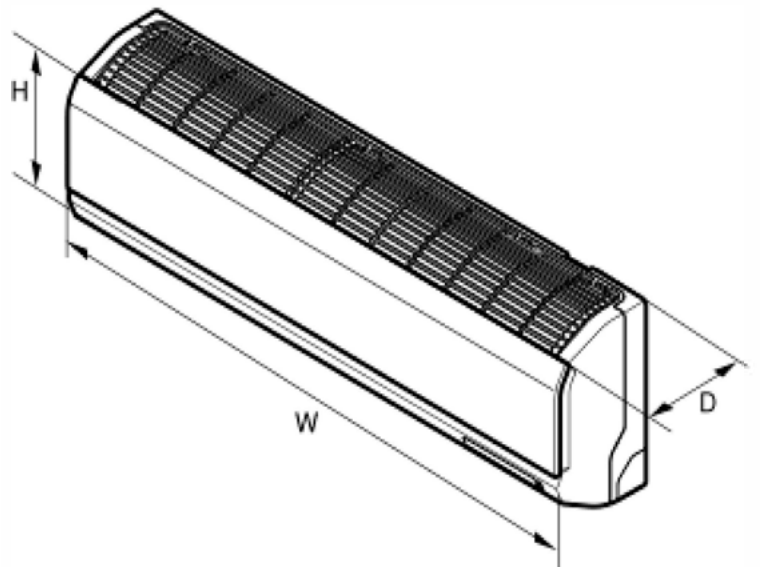
DIMENSIONAL DRAWINGS
INDOOR UNIT / FPHFW09A3A

	W	H	D
FPHFW09A3A	33 7/8"	11 3/16"	8 1/2"



INDOOR UNIT / FPHFW12A3A

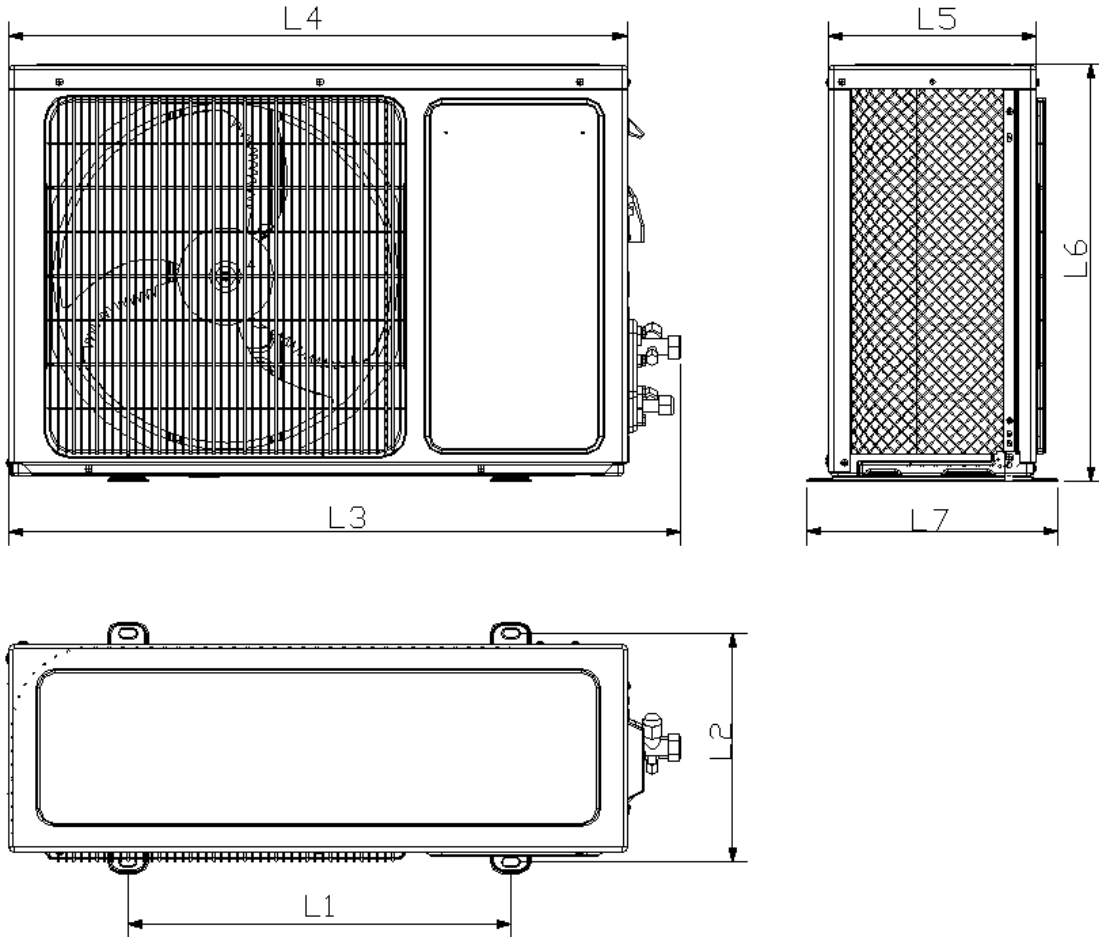
	W	H	D
FPHFW12A3A	33 7/8"	11 3/16"	8 1/2"



DIMENSIONAL DRAWINGS

OUTDOOR UNITS / FPHSR09A3A, FPHSR12A3A

Outdoor units:



				Width	Depth	Height	
Model	L1 (in.)	L2 (in.)	L3 (in.)	L4 (in.)	L5 (in.)	L6 (in.)	L7 (in.)
FPHSR09A3A	17 7/16	10 3/8	30 9/16	28 1/8	9 7/16	19	11 13/32
FPHSR12A3A	20 1/16	12 19/32	34 7/8	31 7/8	11	23	13

ACCESSORIES

REFRIGERATION LINE SETS* (Required accessory)

Kit#	Length (ft.)	Liquid	Suction	System Model
T32150	15'	1/4"	3/8"	FPHW093
				FPHW123

*Insulated line sets are available for all Friedrich split systems in 15 ft. and 35 ft. lengths. Each line set is equipped with flare nuts on both ends. Both liquid and suction lines are insulated. Line sets can be joined together with field supplied double male connectors. Each system requires one line set for each indoor unit installed.

REFRIGERATION LINE SETS MIN./MAX. LENGTHS

Floating Air® Premier		
System Model	Min. (ft.)	Max. (ft.)
FRHW093	10	50
FRHW123	10	50

TORQUE WRENCH SETTINGS

Outside Diameter		Torque	
mm	inch	ft-lbs.	N·m
6.35	1/4	13 – 18	17.6 – 24.5
9.52	3/8	25 – 30	33.3 – 41.2
12.7	1/2	40 – 47	53.9 – 64.7
15.88	5/8	45 – 59	61.7 – 80.4