

PURCHASER	P.O. #	DATE
PROJECT	LOCATION	
ENGINEER	ARCHITECT	
SUBMITTED BY	FOR APPROVAL	FOR REFERENCE

ITEM	PLAN DESIGNATION	QUANTITY	COOLING BTU/H	VOLTAGE	FRIEDRICH MODEL

### Features

- 230/208 Single Zone Heat Pump
- Precision Inverter® technology (variable speed compressor)
- Soft start compressor
- BLDC motor
- High efficiency for low operating cost
- DiamonBlue Advanced Corrosion Protection®
- Auto Clean indoor coil
- Cooling/Heating/Fan/Auto mode
- Surge Cool/Heat
- Natural air flow
- Ultra quiet operation
- Sleep mode
- Auto restart
- Auto changeover
- 24-hour on/off timer
- ENERGY STAR® qualified model
- Hidden display (only visible during operation)



FPHFW36A3A



WIRELESS  
REMOTE CONTROL



FPHFR36A3A

### OPERATION IN EXTREME CONDITIONS

- Low ambient operation down to 5° F (Cooling mode)
- Low ambient operation down to -4° F (Heating mode)



## SPECIFICATIONS

PERFORMANCE RATINGS		230/208 volt models
SYSTEM MODEL NO.		FPHW363
INDOOR MODEL		FPHSW36A3A
OUTDOOR MODEL		FPHSR36A3A
<b>SPECIFICATIONS</b>		
CAPACITY COOLING (RATED)	Btu	36000
CAPACITY COOLING MIN - MAX	Btu	12000--38000
COOLING AMPS		18.5
HEATING AMPS		16
SENSIBLE HEAT RATIO		79%
CAPACITY HEATING (RATED) @ 47°F	Btu	36000
CAPACITY HEATING MIN - MAX	Btu	12000--38000
CAPACITY HEATING (RATED) @ 17°F	Btu	18700
COP		3.05
HSPF		8.8
SEER		16.4
EER		8.6
MOISTURE REMOVAL	Pts/h	6.8
AIRFLOW (HIGH/MED/LOW/QUIET)	CFM	1030/824/706/588
SOUND RATING - INDOOR (HIGH/MED/LOW/QUIET)	dB-A	50/45/40
SOUND RATING - OUTDOOR	dB-A	60
OPERATING RANGE (HEATING)	°F	-4° - 75°
OPERATING RANGE (COOLING)	°F	5° - 115°
EST. YEARLY OPERATING COST	U.S. \$	\$376
<b>ELECTRICAL DATA</b>		
POWER SOURCE	V/Hz/Phase	230V~,208V~,60Hz,1P
MIN. AMPACITY	A	30
COOLING WATTS	W	4186
HEATING WATTS	W	3459
MAX. TD FUSE/BREAKER	A	35
POWER AND COMMUNICATION CABLE	No.x AWG	4 x 14AWG
<b>REFRIGERATION SYSTEM</b>		
REFRIGERANT		R410a
COMPRESSOR TYPE		Rotary
CONNECTIONS		Flare
LIQUID LINE O.D.	in	3/8
SUCTION LINE O.D.	in	3/4
REFRIGERANT CHARGE	oz.	81.2
FACTORY PRECHARGE	ft.	25
MIN. / MAX. LINE LENGTH	ft	9.8-66
MAX. HEIGHT DIFFERENCE	ft	33
<b>DIMENSIONS &amp; WEIGHT</b>		
<b>INDOOR UNIT</b>		
W x H x D	in	50 5/8 X 13 5/8 X 10 5/16
NET WEIGHT	lbs	40
SHIPPING WEIGHT	lbs	48
<b>OUTDOOR UNIT</b>		
W x H x D	in	34 7/8 x 31 5/16 x 14 3/8
NET WEIGHT	lbs	141
SHIPPING WEIGHT	lbs	152
TOTAL NET WEIGHT	lbs	181
TOTAL SHIPPING WEIGHT	lbs	200

Your operating costs will depend on your utility rates and use. The estimated operating cost is based on a electricity cost of \$ .12 per kWh. For more information, visit [www.ftc.gov/energy](http://www.ftc.gov/energy).

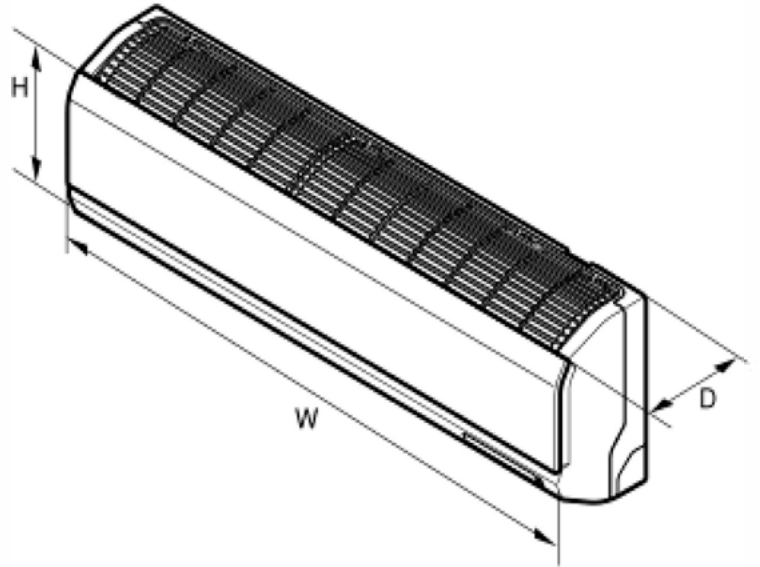
Due to continuing research in new energy-saving technology, specifications are subject to change without notice.



**DIMENSIONAL DRAWINGS**  
**INDOOR UNIT / FPHSW36A3A**

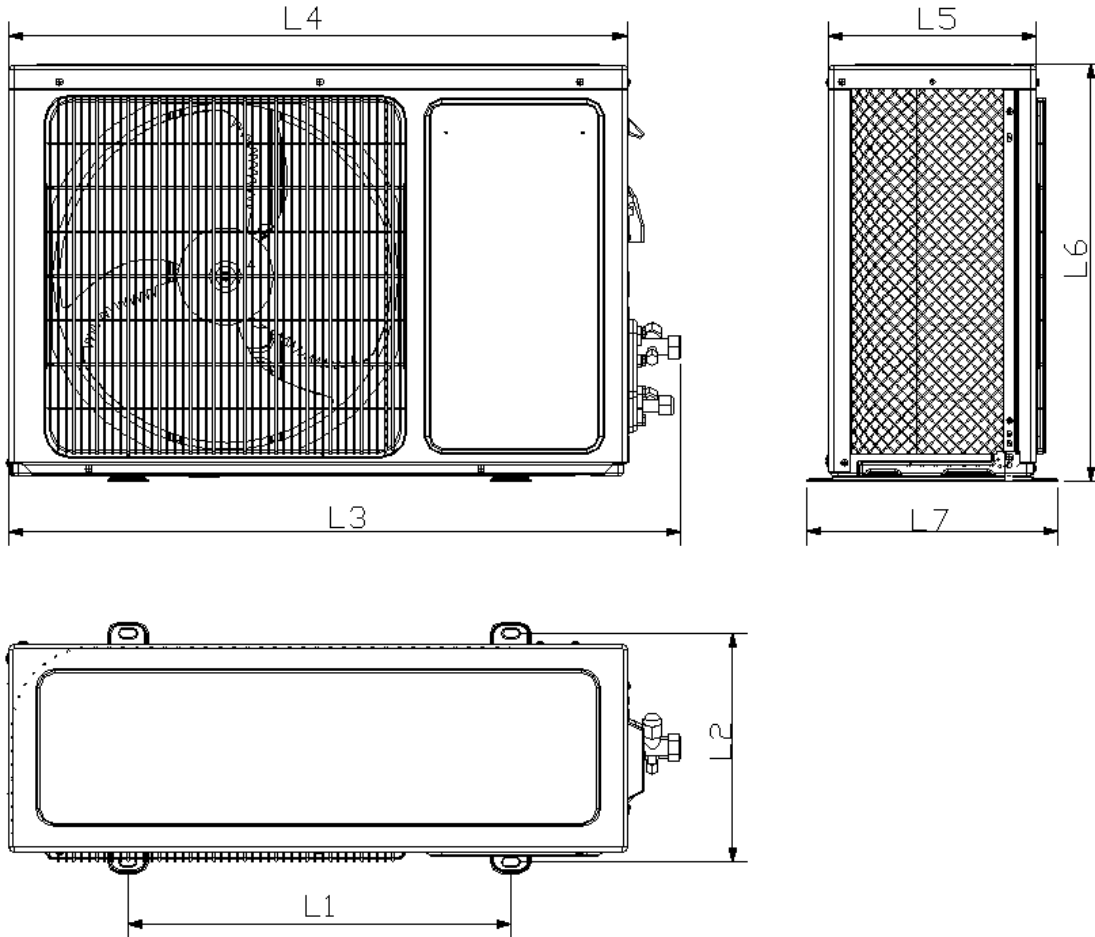
---

	W	H	D
FPHSW36A3A	50 5/8"	13 5/8"	10 5/16"



**DIMENSIONAL DRAWINGS**  
**OUTDOOR UNITS / FPHSR36A3A**

**Outdoor units:**



				Width	Depth	Height	
Model	L1 (in.)	L2 (in.)	L3 (in.)	L4 (in.)	L5 (in.)	L6 (in.)	L7 (in.)
FPHSR36A3A	26	12 19/32	37 3/4	34 7/8	14 3/8	31 5/16	16 5/16

## ACCESSORIES

### REFRIGERATION LINE SETS\* (Required accessory)

Kit#	Length (ft.)	Liquid	Suction	System Model
T32350	35'	1/4"	3/8"	FPHW363

\*Insulated line sets are available for all Friedrich split systems in 15 ft. and 35 ft. lengths. Each line set is equipped with flare nuts on both ends. Both liquid and suction lines are insulated. Line sets can be joined together with field supplied double male connectors. Each system requires one line set for each indoor unit installed.

### REFRIGERATION LINE SETS MIN./MAX. LENGTHS

Floating Air® Pro		
System Model	Min. (ft.)	Max. (ft.)
FPHW363	10	66

### TORQUE WRENCH SETTINGS

Outside Diameter		Torque	
mm	inch	ft-lbs.	N·m
6.35	1/4	13 – 18	17.6 – 24.5
9.52	3/8	25 – 30	33.3 – 41.2
12.7	1/2	40 – 47	53.9 – 64.7
15.88	5/8	45 – 59	61.7 – 80.4