

PURCHASER	P.O. #	DATE
PROJECT	LOCATION	
ENGINEER	ARCHITECT	
SUBMITTED BY	FOR APPROVAL	FOR REFERENCE

ITEM	PLAN DESIGNATION	QUANTITY	COOLING BTU/H	VOLTAGE	FRIEDRICH MODEL

**FEATURES**

- 230/208 Single Zone Heat Pump
- Precision Inverter® technology (variable speed compressor)
- Soft start compressor
- BLDC motor
- High efficiency for low operating cost
- DiamonBlue Advanced Corrosion Protection®
- Auto Clean indoor coil
- Cooling/Heating/Fan/Auto mode
- Surge Cool/Heat
- Natural air flow
- Ultra quiet operation
- Sleep mode
- Auto restart
- Auto changeover
- 24-hour on/off timer
- ENERGY STAR® qualified model
- Hidden display (only visible during operation)



WIRELESS  
 REMOTE  
 CONTROL



FRHSW09A3A (B), FRHSW12A3A (B)

**WI-FI AVAILABLE ON SELECT MODELS  
 FOR CONTROL ANYTIME, ANYWHERE**

- Easy to use FriedrichGo™ app
- Control with smartphone
- Compatible with Amazon Alexa and Google Home

**OPERATION IN EXTREME  
 CONDITIONS**

- Low ambient operation down to 0° F (Cooling mode)
- Low ambient operation down to -13° F (Heating mode)



FRHSR09A3A, FRHSR12A3A

## SPECIFICATIONS

PERFORMANCE RATINGS		Single Zone Wall-Mounted - Heat Pumps	
		9k	12k
SYSTEM MODEL NO.		FRHW093 <i>FRHW093A Wi-Fi</i>	FRHW123 <i>FRHW123A Wi-Fi</i>
INDOOR MODELS		FRHSW09A3A <i>FRHSW09A3B Wi-Fi</i>	FRHSW12A3A <i>FRHSW12A3B Wi-Fi</i>
OUTDOOR MODEL		FRHSR09A3A	FRHSR12A3A
<b>SPECIFICATIONS</b>			
CAPACITY COOLING (RATED)	Btu	9000	12000
CAPACITY COOLING (MIN-MAX)	Btu	3600-10000	4000-13500
CAPACITY HEATING @47°F (RATED)	Btu	10500	13000
CAPACITY HEATING @17°F (RATED)	Btu	6500	8000
CAPACITY HEATING (MIN-MAX)	Btu	3600-10500	4000-14000
SENSIBLE HEAT RATIO		76%	77%
HSPF		12.5	12.0
SEER		28.0	25.0
EER		16.1	15.4
ENERGY STAR		YES	YES
MOISTURE REMOVAL	Pts/h	1.9	2.5
AIRFLOW (QUIET, LOW, MED, HIGH)	CFM	416/384/355/279	598/536/446/345
SOUND RATING - INDOOR	dB-A	39/34/31	45/41/39
SOUND RATING - OUTDOOR	dB-A	55	55
OPERATING RANGE (COOLING)	°F	0° -115°	0° -115°
OPERATING RANGE (HEATING)	°F	-13° -75°	-13° -75°
EST. YEARLY OPERATING COST	\$	50	70
<b>ELECTRICAL DATA</b>			
POWER SOURCE	V-Hz-Phase	230/208-60-1	230/208-60-1
MINIMUM AMPACITY	A	10A	12A
COOLING WATTS	W	559	779
COOLING AMPS		2.3	4.6
HEATING WATTS	W	905	856
HEATING AMPS		3.4	4.8
MAX. TD FUSE/BREAKER	A	15A	15A
POWER AND COMMUNICATION CABLE	No. x AWG	4 x 14AWG	4 x 14AWG
<b>REFRIGERATION SYSTEM</b>			
REFRIGERANT		R410a	R410a
COMPRESSOR TYPE		Rotary	Rotary
CONNECTIONS		Flare	Flare
LIQUID LINE O.D.	in	1/4	1/4
SUCTION LINE O.D.	in	3/8	3/8
FACTORY PRECHARGE	ft	25	25
REFRIGERANT CHARGE	oz	38.8	45.9
MIN./MAX. LINE LENGTH	ft	10-66	10-66
MAX. HEIGHT DIFFERENCE	ft	33	33
<b>DIMENSIONS &amp; WEIGHT</b>			
<b>INDOOR UNIT</b>			
W X H X D	in	33 7/8 x 11 1/8 x 8 1/2	38 1/8 X 13 1/8 X 10
NET WEIGHT	lbs	22	28.5
SHIPPING WEIGHT	lbs	26.5	34
<b>OUTDOOR UNIT</b>			
W X H X D	in	31 7/8 x 23 x 11	31 7/8 x 23 x 11
NET WEIGHT	lbs	75	84
SHIPPING WEIGHT	lbs	81.5	92.5
TOTAL NET WEIGHT	lbs	97	112.5
TOTAL SHIPPING WEIGHT	lbs	108	126.5

Your operating costs will depend on your utility rates and use.

The estimated operating cost is based on a electricity cost of \$.12 per kWh.

For more information, visit [www.ftc.gov/energy](http://www.ftc.gov/energy).

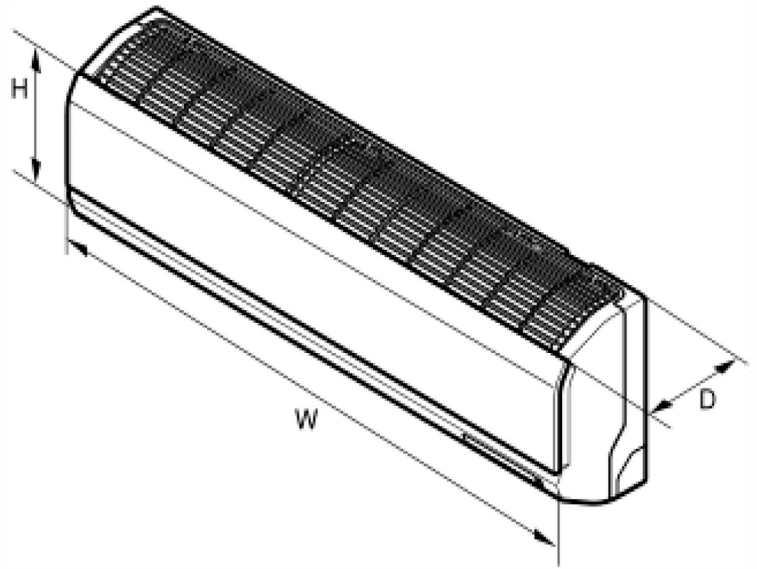
Due to continuing research in new energy-saving technology, specifications are subject to change without notice.



**DIMENSIONAL DRAWINGS**

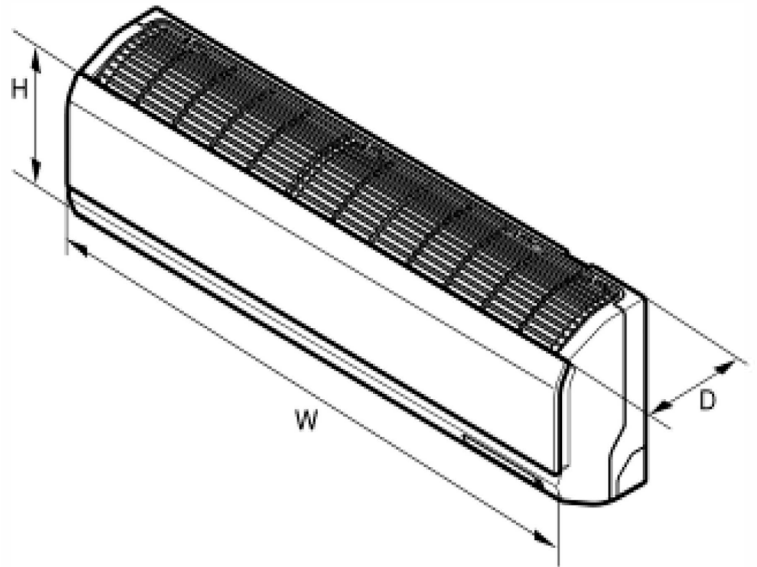
**INDOOR UNIT / FRHSW09A3A (B)**

	W	H	D
FRHSW09A3A (B)	33 7/8"	11 1/8"	8 1/2"



**INDOOR UNIT / FRHSW12A3A (B)**

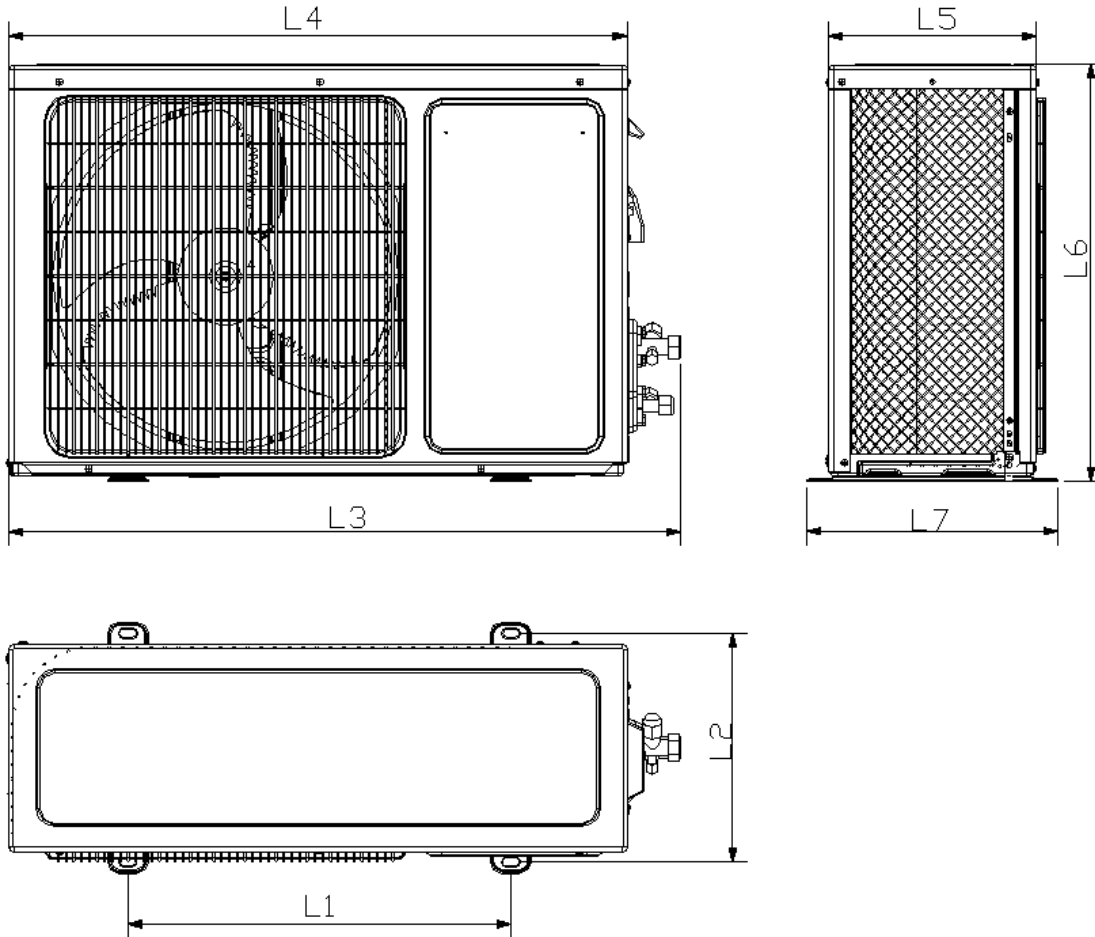
	W	H	D
FRHSW12A3A (B)	38 1/8"	13 1/8"	10"



**DIMENSIONAL DRAWINGS**

**OUTDOOR UNITS / FRHSR09A3A, FRSHR12A3A**

**Outdoor units:**



				Width	Depth	Height	
Model	L1 (in.)	L2 (in.)	L3 (in.)	L4 (in.)	L5 (in.)	L6 (in.)	L7 (in.)
FRHSR09A3A	20 1/16	12 19/32	34 7/8	31 7/8	11	23	13
FRHSR12A3A							

## ACCESSORIES

### REFRIGERATION LINE SETS (REQUIRED) OUTSIDE DIMENSIONS

Floating Air® Premier Wall-mounted				
SYSTEM MODEL	Liquid	Suction	15' Lineset Kit	35' Lineset Kit
FRHW093 / FRHW093A	1/4	3/8	T32150	T32350
FRHW123 / FRHW123A	1/4	3/8	T32150	T32350

### REFRIGERATION LINE SETS MIN./MAX. LENGTHS

Floating Air® Premier		
SYSTEM MODEL	Min. (ft.)	Max. Each/Total (ft.)
FRHW093 / FRHW093A	10	66
FRHW123 / FRHW123A	10	66

### TORQUE WRENCH SETTINGS

Outside Diameter		Torque	
mm	inch	ft-lbs.	N·m
6.35	1/4	13 – 18	17.6 – 24.5
9.52	3/8	25 – 30	33.3 – 41.2
12.7	1/2	40 – 47	53.9 – 64.7
15.88	5/8	45 – 59	61.7 – 80.4

### WALL CONTROLLERS



FPWC1 Optional wired wall controller