

# Bucket Elevator Inquiry Form



Company: \_\_\_\_\_  
Contact: \_\_\_\_\_  
Title: \_\_\_\_\_  
Address: \_\_\_\_\_  
Town/State/ZIP: \_\_\_\_\_  
Phone: \_\_\_\_\_  
Fax: \_\_\_\_\_  
E-mail: \_\_\_\_\_

Date: \_\_\_\_\_

*Please check where appropriate!*

- All top fed conveyors require a metered feed (e.g. vibratory feeder, rotary valve, or similar device). Please describe your proposed method of feeding:  
\_\_\_\_\_
- Material Conveyed: \_\_\_\_\_
- Is the material abrasive:  Yes  No
- Capacity: \_\_\_\_\_ lbs/h or \_\_\_\_\_ T/h
- Bulk Density: \_\_\_\_\_ lbs/cu ft
- Particle Size:  <1/8";  <1/2";  <1";  <2"  
Other: \_\_\_\_\_
- Dynamic Angle of Repose:  under 10°;  10 to 20°  
 more than 20°
- Is the material difficult to discharge:  Yes  No
- Does the material compact:  Yes  No
- Temperature in and around Elevator: \_\_\_\_\_ °F
- Temperature of Conveyed Goods: \_\_\_\_\_ °F
- Maximum Temperature: \_\_\_\_\_ °F
- Location:  Indoors  Outdoors
- Operating Hours per Day:  Less than 10;  more than 20
- Electrical Supply: \_\_\_\_\_ V; \_\_\_\_\_ Ph; \_\_\_\_\_ Hz
- Motor Type:  TEFC;  TENV;  
 Wash Down Duty;  Chemical Duty;  Inverter Duty  
X-Proof: Class: \_\_\_\_\_ Group: \_\_\_\_\_ Div: \_\_\_\_\_
- Casing:  
Sheet Metal Casing:  
 Enclosed w/drawers;  Dust Free (closed bottom);  
 Sealed welded inside;  Sealed welded outside;  
Vacuum/Pressure: \_\_\_\_\_ PSI \_\_\_\_\_ mmH2O \_\_\_\_\_ mmHg  
Tubular Steel Casing:  full cladding;  partial cladding
- Casing Material:  Carbon Steel;  304SS;  316SS;  
 304L SS;  316L SS;  Aluminum
- Bearings:  Standard;  Sealed;  
 Pressurized (Compression Glands)
- Paint:  Powder Coating;  Anti Corrosion Epoxy;  
 Enamel;  No Paint (e.g. Stainless Steel);  
Color: RAL \_\_\_\_\_ Other: \_\_\_\_\_
- Options:  
 Zero Speed Switch;  Bucket Belt Monitor;  
 Safety Alarm Systems;  Control Panel;  
 Feed Section Level Sensor;  Discharge Level Sensor  
 Discharge Transition(s)\*;  Feed Transition(s)\*;  
 Anti Static Systems;  Vents;  
 Clean in Place Bucket Wash;  
 Clean in Place Conveyor Wash;  
\*Please provide design requirements, Material, Opening dimensions and heights.
- Additional Information: \_\_\_\_\_  
\_\_\_\_\_  
\_\_\_\_\_  
\_\_\_\_\_  
\_\_\_\_\_
- Please complete the Bucket Conveyor Inquiry Sketch on the next page for the dimensions and style of the Elevator.
- We will send you a proposal in PDF or Office XP format. The drawing will be AutoCAD. Please tell us your AutoCAD Version \_\_\_\_\_



NERAK Systems, Inc.  
4 Stagedoor Road  
Fishkill  
New York, 12524

Phone: 914-763-8259  
Fax: 845-896-1925  
E-mail: info@nerak-systems.com  
Website: www.nerak-systems.com

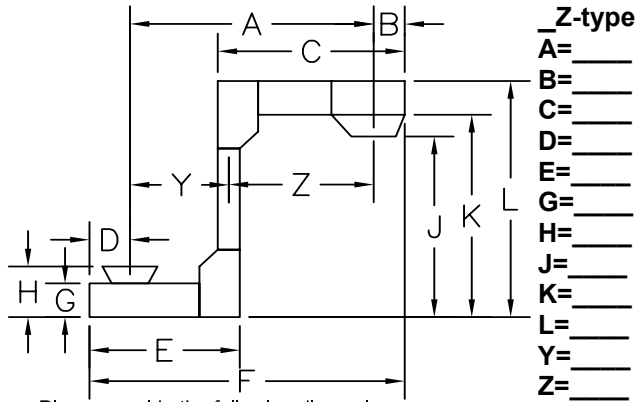
# Bucket Elevator Inquiry Sketch

Continuous Bucket Elevator (WB)  
Pendulum Bucket Elevator (PB)

Company: \_\_\_\_\_

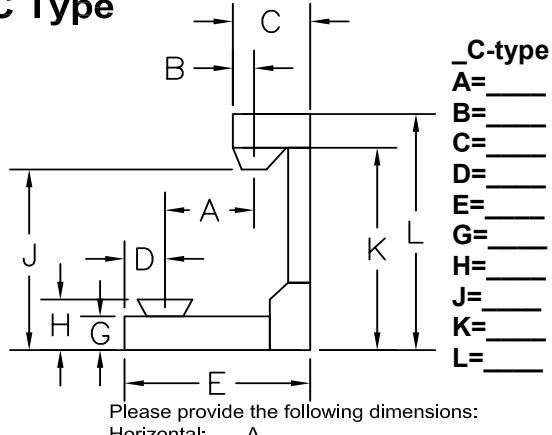
*Please fill out the dimensional information where appropriate!*

## Z Type



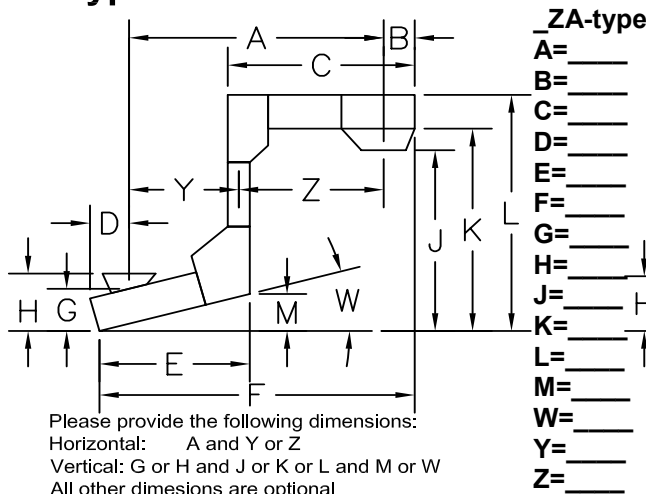
Please provide the following dimensions:  
Horizontal: A and Y or Z  
Vertical: G or H and J or K or L  
All other dimensions are optional

## C Type



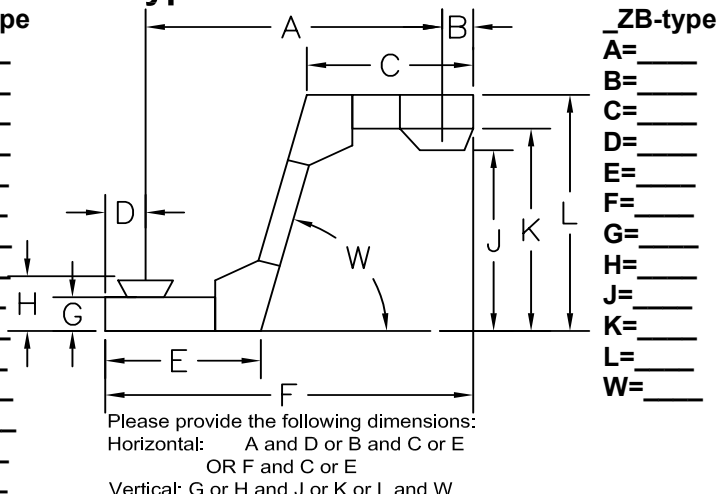
Please provide the following dimensions:  
Horizontal: A  
Vertical: G or H and J or K or L  
C is a fixed dimension  
All other dimensions are optional

## ZA Type



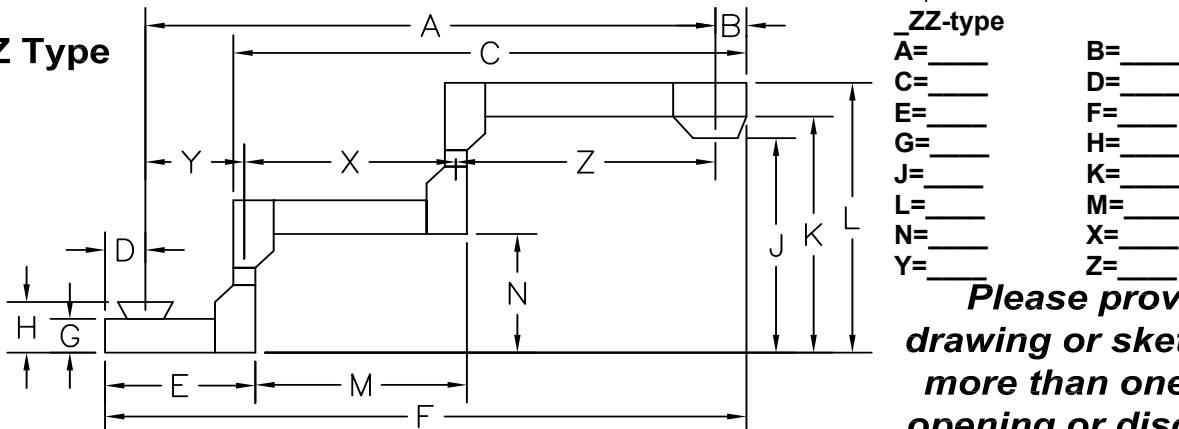
Please provide the following dimensions:  
Horizontal: A and Y or Z  
Vertical: G or H and J or K or L and M or W  
All other dimensions are optional

## ZB Type



Please provide the following dimensions:  
Horizontal: A and D or B and C or E  
OR F and C or E  
Vertical: G or H and J or K or L and W  
All other dimensions are optional

## ZZ Type



Please provide the following dimensions:  
Horizontal: A and Y and Z OR A and X and Z OR A and X and Y  
Vertical: G or H and J or K or L and N  
All other dimensions are optional

**Please provide drawing or sketch for more than one feed opening or discharge and any other conveyor shape!**

EXPERTS IN VERTICAL CONVEYING

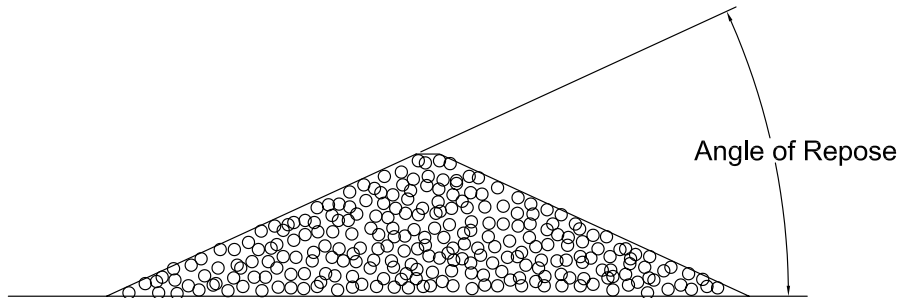
## Bucket Elevator Inquiry Info

Continuous Bucket Elevator (WB)  
Pendulum Bucket Elevator (PB)



## Dynamic Angle of Repose

The Angle of Repose is the Angle of the undisturbed material lying on a surface.  
The Dynamic Angle of Repose is the Angle of the material lying on a surface in a dynamic situation, such as shaking on moving! Please give us the dynamic angle of repose of your product!



## Discharge of Material in WB Elevators C-Type

All WB C-Type Elevators discharge directly at the turn of the wheel. If a discharge further away is required a PB- Type conveyor will be chosen.

