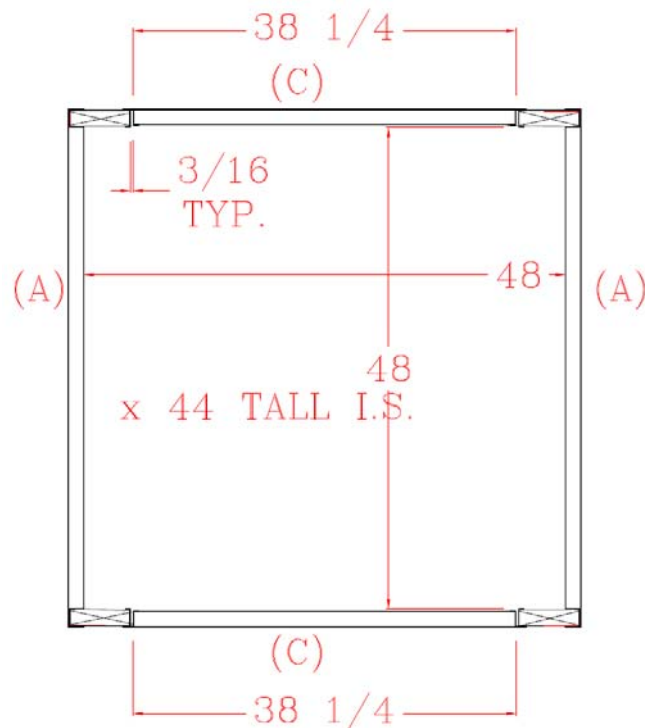




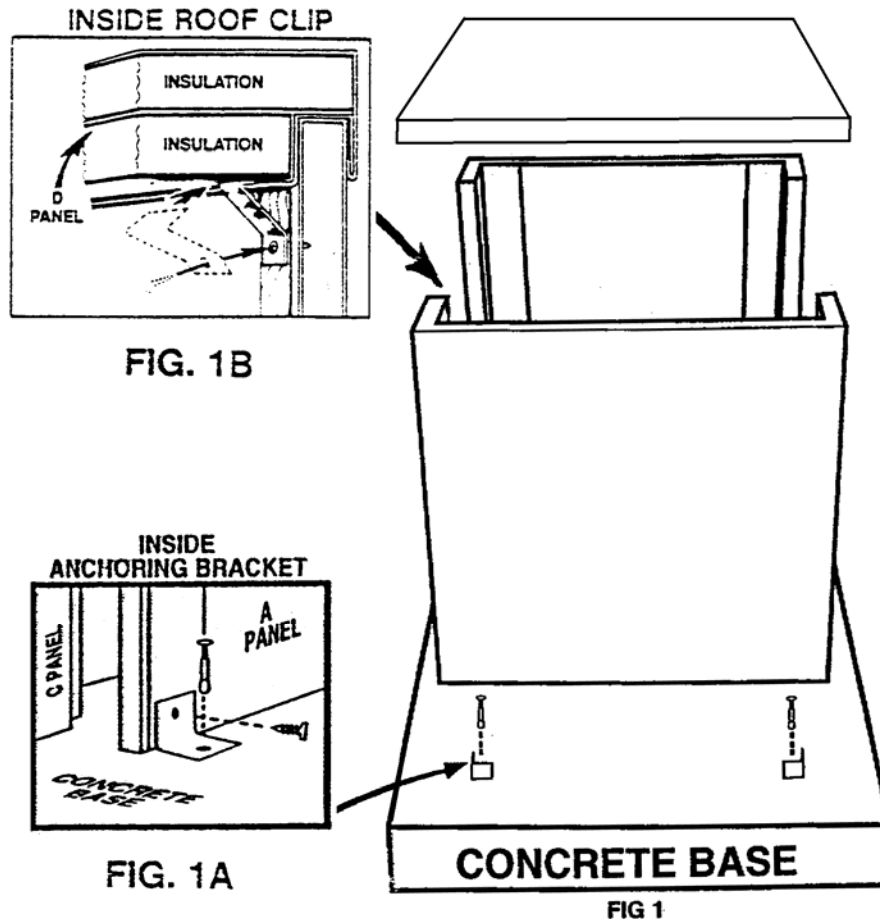
ENCLOSURES DESIGNED FOR THE WORLD'S WATER SYSTEMS™

## Model No. 200DS-AL (1/13/17) ASSEMBLY INSTRUCTIONS PLEASE READ CAREFULLY

### Plan View of Enclosure



- 1. The concrete base should be 6" thick x 14" longer than enclosure ID x 14" wider than enclosure ID.**
  - A. Mark the concrete base for the outside of the enclosure (3" wider than ID and 3" longer than ID).
- 2. Set the "A" (end) panels on the marked concrete base.**
- 3. Set the "D" (roof) panel on the "A" (end) panels.**
- 4. Using one (1) hex headed screw for each, attach the Inside Corner Anchoring Brackets to the "A" (end) panels. Using one (1) anchor for each bracket, fasten them to the concrete (Fig 1A).**
- 5. Using four (4) hex headed screws fasten the "D" (roof) panel to the "A" panels through holes provided.**
  - A. Using one (1) hex headed screw for each, install an Inside Roof Clip in the studs at the top inside of the "A" panels (end) and roof section (Fig 1B).



6. Test the installation of the “C” panels. Verify that their removal and replacement allows adequate space and positioning.
7. Provide a ground-fault interrupter device in all electrical circuit's according to all applicable codes. Install the heater(s) as per the manufacturer's instructions and governing local and national codes.
8. For maximum protection it is suggested that the area between the bottom of the enclosure and the concrete base should be caulked with the exception of the “C” panels. **DO NOT CAULK THE BOTTOM OF THE “C” PANELS.**
9. **REMOVE THE MASKING FILM IMMEDIATELY AFTER INSTALLATION.** If the panels get wet with the masking film in place, water will irreversibly stain the panels. Summertime heat will bake the masking film onto the panels.



ENCLOSURES DESIGNED FOR THE WORLD'S WATER SYSTEMS™

## **Model No. 200DS-AL**

# **CONTENTS**

### **1. Your assembly should include**

- A. 2- "A" (end) Panels
- B. 1- "C" (removable access) Panel
- C. 1- "C" (removable access) Panel W/drain
- D. 1- "D" (roof) Panel
- E. 4- Inside Corner Anchoring Brackets (1 ½" x 1 ½")
- F. 4- Inside Roof Clips
- G. 1- Package of Anchors
- H. 1- Package of Hex Headed Screws
- I. 1- Masonry Bit
- J. 1- Magnetic Chuck

### **2. Tools you will need**

- A. Hammer
- B. Drill
- C. ¾" Wrench