



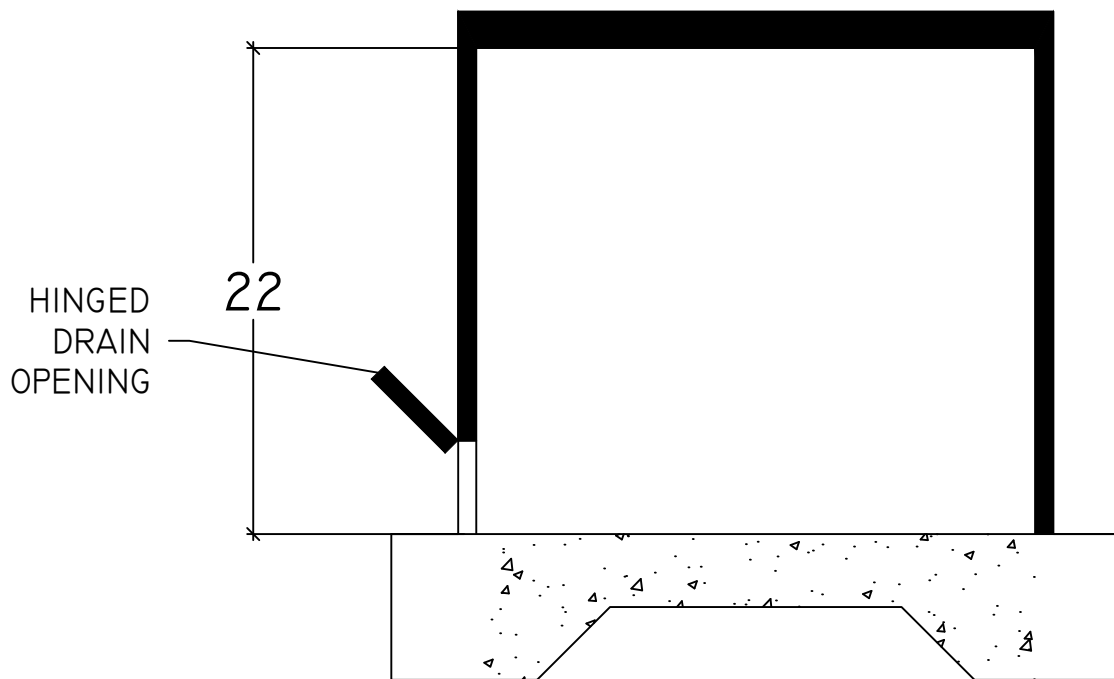
JOB:

DRAWN BY: KH

SCALE: NONE

DATE: 04/05/21

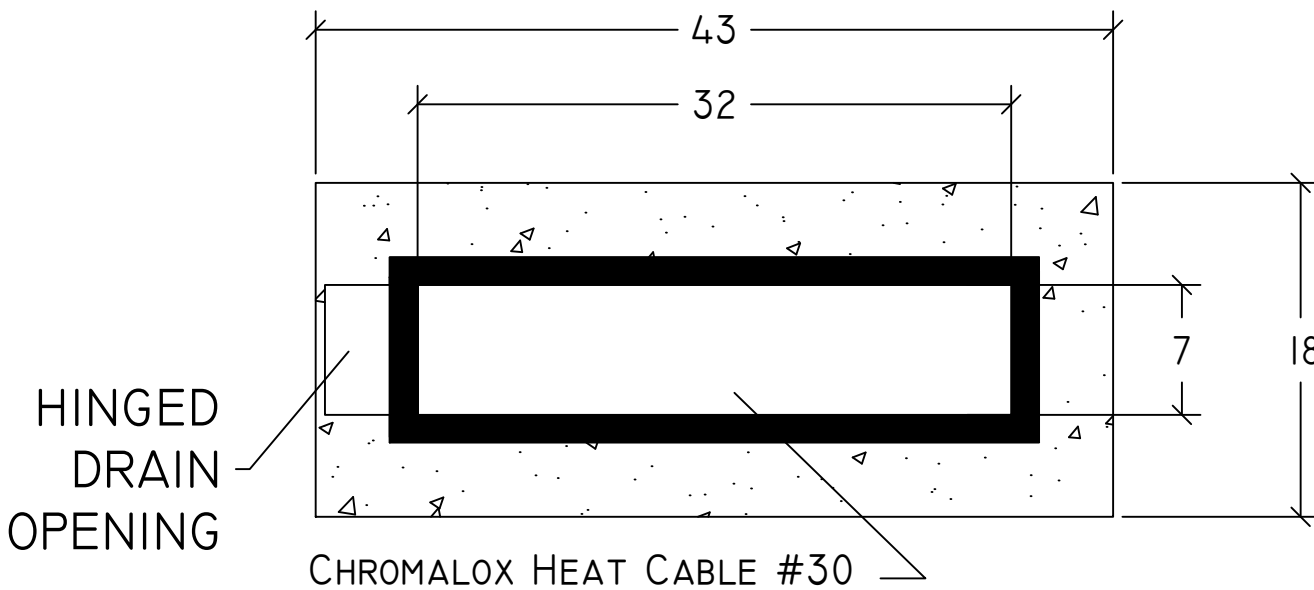
ELEVATION VIEW



I00S-AL

SHEET 1 OF 1

PLAN VIEW



5. MODEL I00S-AL ENCLOSURE

6. ENCLOSURE INSIDE DIMENSIONS:
7"W X 32"L X 22"H

7. CONCRETE PAD IS 11"W X 36"L X 4"-6"H

1. DRAWING NOT TO SCALE.

2. ALL DIMENSIONS ARE IN INCHES.

3. WALL AND INSULATION THICKNESS IS 1-1/2".

4. ROOF AND INSULATION THICKNESS IS 1-1/2".