



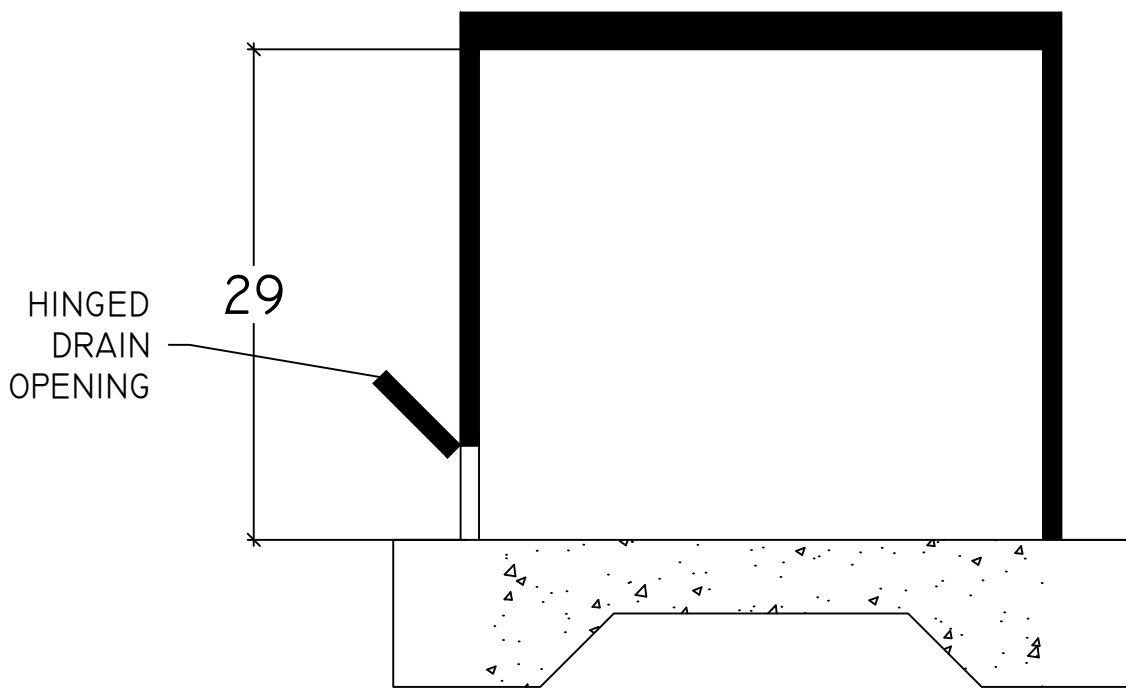
JOB:

DRAWN BY: KH

SCALE: NONE

DATE: 04/05/21

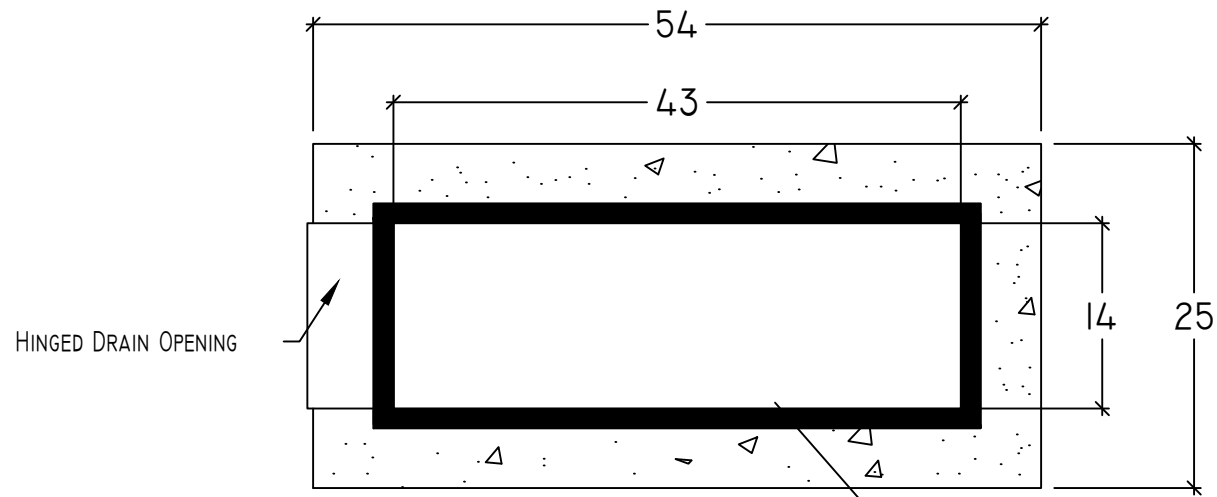
### ELEVATION VIEW



200S-AL

SHEET 1 OF 1

### PLAN VIEW



CHROMALOX HEAT CABLE #30

- 5. MODEL 200S-AL ENCLOSURE
- 6. ENCLOSURE INSIDE DIMENSIONS:  
14"W X 43"L X 29"H
- 7. CONCRETE PAD IS 18"W X 47"L X 4"-6"H

- 1. DRAWING NOT TO SCALE.
- 2. ALL DIMENSIONS ARE IN INCHES.
- 3. WALL AND INSULATION THICKNESS IS 1-1/2".
- 4. ROOF AND INSULATION THICKNESS IS 1-1/2".