

JOB:

ENCLOSURES DESIGNED FOR THE WORLD'S WATER SYSTEMS™

DRAWN BY: GP

SCALE: NONE

DATE: 12-15-2020

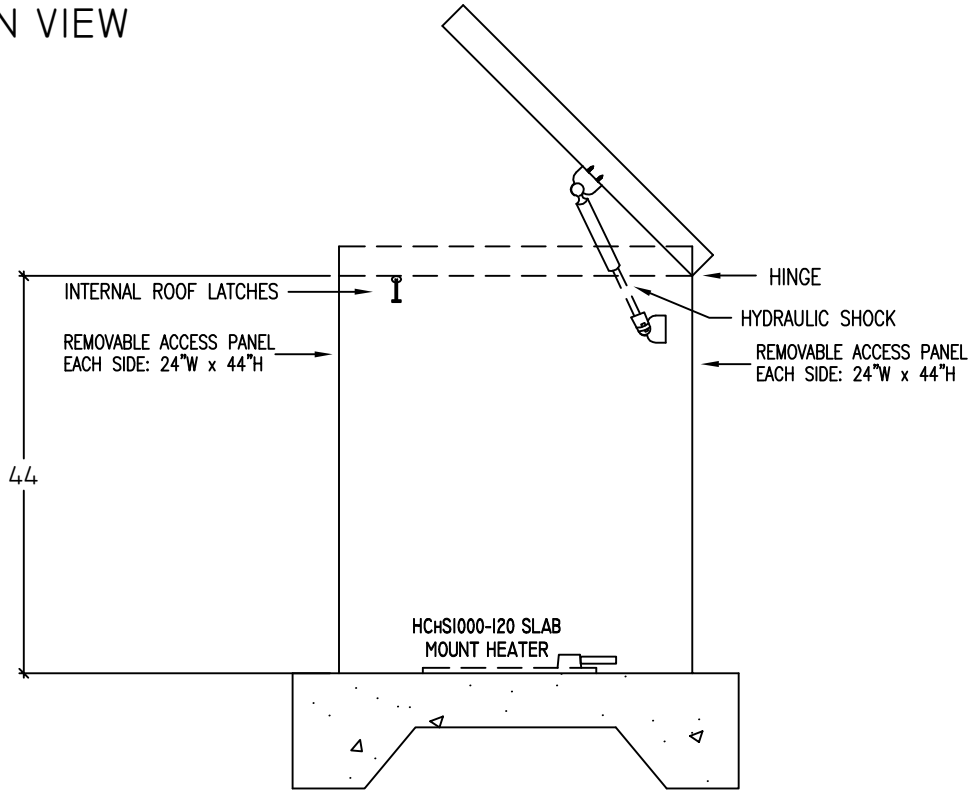
WEBSITE: SAFE-T-COVER.COM

PHONE: (800) 245-6333

EMAIL: SALES@SAFE-T-COVER.COM

FAX: (615) 259-4481

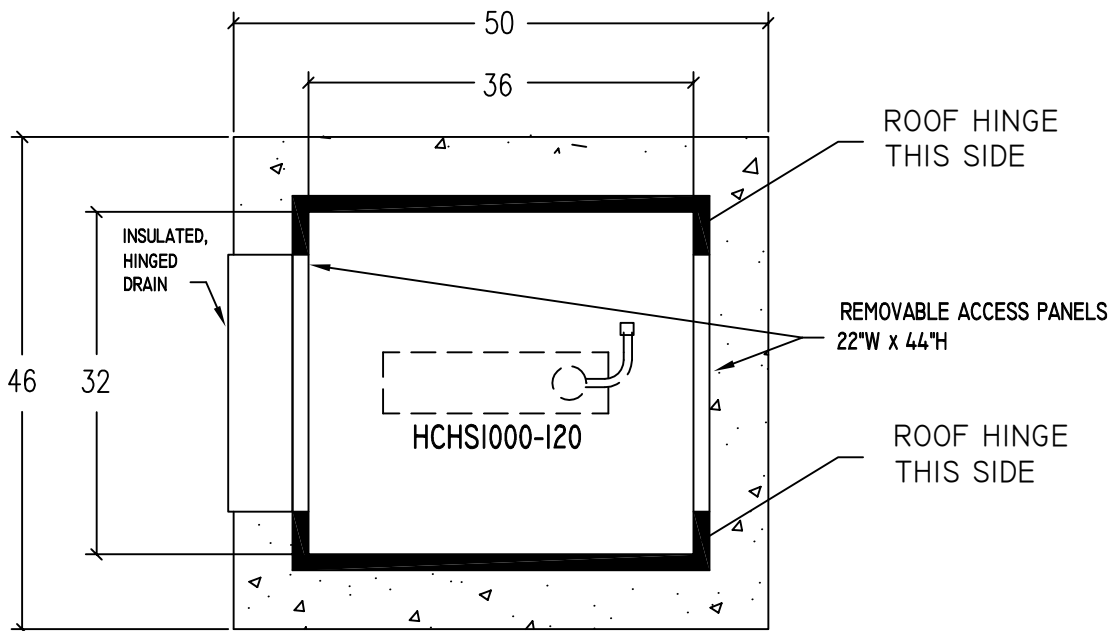
ELEVATION VIEW



400LU880-AL

SHEET 1 OF 1

PLAN VIEW



5. MODEL 400LU880-AL ENCLOSURE

6. ENCLOSURE INSIDE DIMENSIONS:  
32"W X 36"L X 44"H

7. CONCRETE PAD IS 46"W X 50"L X 6"H

1. DRAWING NOT TO SCALE.  
2. ALL DIMENSIONS ARE IN INCHES.

3. WALL AND INSULATION THICKNESS IS 1-1/2".

4. ROOF AND INSULATION THICKNESS IS 3".