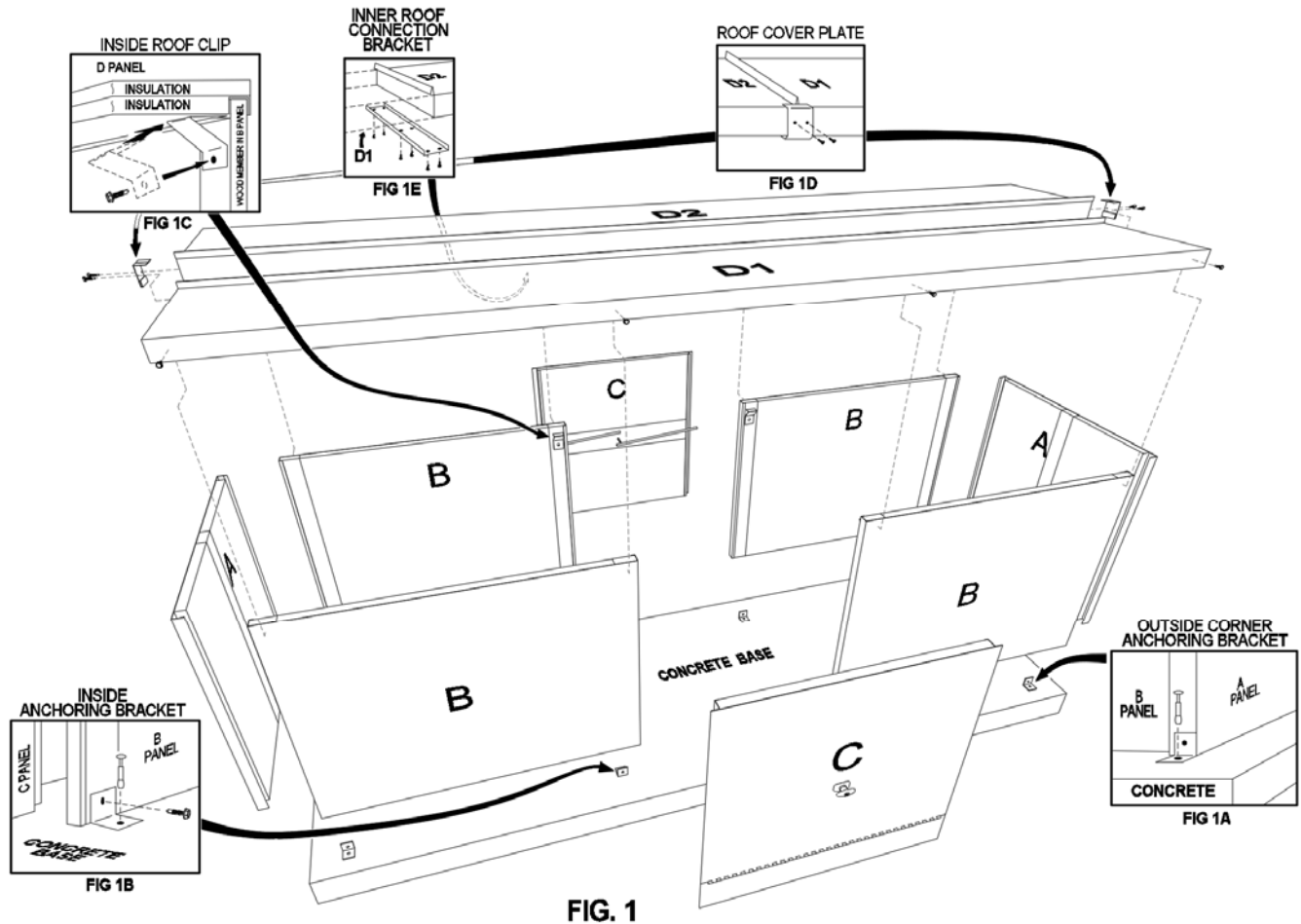


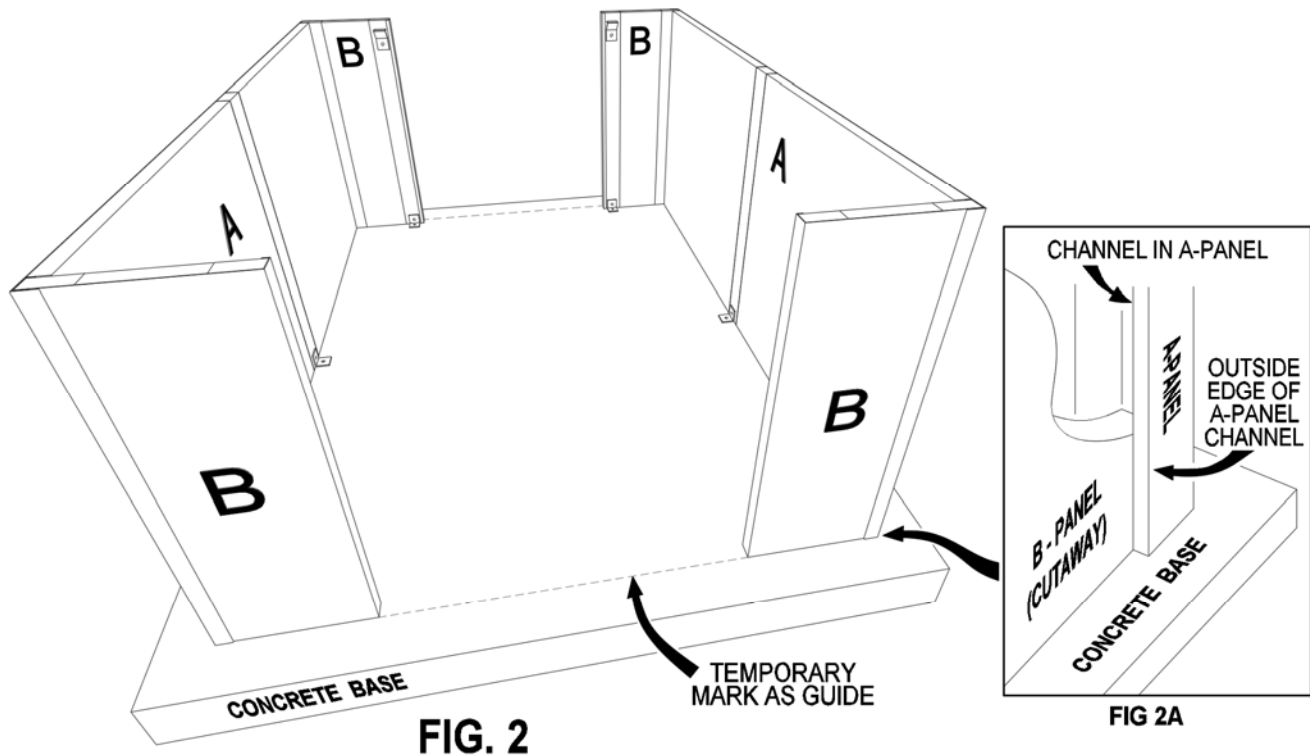
## ASSEMBLY INSTRUCTIONS PLEASE READ CAREFULLY

Model No.	Inside Dimensions	Outside Dimensions	Recommended Concrete Pad Dimensions
400D Series	58"W x 90"L x 48"H	61 3/4"W x 93"L x 51 1/4"H	72"W x 104"L x 6" Thick
400DS Series	58"W x 106"L x 48"H	61 3/4"W x 109"L x 51 1/4"H	72"W x 120"L x 6" Thick
400TD Series	58"W x 90"L x 54"H	61 3/4"W x 93"L x 57 1/4"H	72"W x 104"L x 6" Thick
400TDS Series	58"W x 106"L x 54"H	61 3/4"W x 109"L x 57 1/4"H	72"W x 120"L x 6" Thick
600D Series	70"W x 108"L x 56"H	73 3/4"W x 111"L x 59 1/4"H	84"W x 122"L x 6" Thick



1. Do not remove the PVC masking film until the enclosure is fully assembled. The PVC masking film will protect the enclosure's outer finish during installation.
2. The concrete base should be 6" thick, 14" longer than enclosure ID and 14" wider than enclosure ID. Please note that the concrete base should be level, or the "C" (access) panels may be difficult to install.

3. Mark the concrete base for the outside of the enclosure using the dimensions in the table above.
4. Assemble the “B-A-B” (side-end-side) assemblies using hex headed screws. (For best results, insert a bead of silicone caulk into the inside bend of the “A” panel corners.) Position both sets of assembled panels on the marked concrete base (Fig 2).



NOTE: model sizes and configurations vary, see the chart.

5. Inspect the alignment of the “C” (access) panels during the assembly process. Verify that their removal and replacement allows adequate space and positioning within the openings and with the adjacent panels prior to attaching any bracket to the concrete.
6. Set the “C” (access) panels in place with about a 3/16” gap on each side of the “C” panels as the roof is assembled.
7. Set the “D1” (roof) panel on an “A-B-C-B-A” (end-side-end) section. Using four (4) hex headed screws, fasten the “D1” (roof) panel to the “A-B-C-B-A” (end-side-end) section through the holes provided (Fig 1).
8. Insert an Inside Roof Clip into the “D1” (roof) panel at the “B” panel studs (Fig. 1C). Using one (1) hex headed screw for each, attach the clip to the “B” panel studs as shown.

9. Repeat Steps 7 and 8 for the “D2” (roof) panel on the other side of the assembly.



FIG. 3

Side View of Roof Panels

10. On the inside, place the Inner Roof Connection Bracket under the “D1-D2” 2x6 connection. Using hex headed screws, fasten the Inner Roof Connection Brackets into place (Fig. 1E).
11. The Inner Roof Connection Bracket has tabs on each end. Fasten these tabs to the tops of the “A” panel studs using hex headed screws.
12. Attach an Outside Corner Anchoring Bracket to an “A-B” (corner) assembly with hex headed screws. Using one (1) anchor per bracket, fasten it to the concrete (Fig 1A). Fasten one (1) Outside Corner Anchoring Bracket at both “A-B” (corner) assemblies on one side.
13. Attach the Inside Anchoring Brackets to the “B” panel studs at the bottom, inside at the concrete (Fig 1B) with hex headed screws. Using one (1) anchor per bracket, fasten it to the concrete. Fasten the Inside Anchoring Brackets to the “B” panel and concrete along one side of the enclosure.
14. Repeat Steps 12 and 13 on the other side of the enclosure.
15. Attach the Inside Anchoring Brackets to the center of both “A” panels on the inside of the enclosure. See Fig 2 for this bracket location.
16. Using two (2) hex headed screws install the Roof Cover Plates over the “D1-D2” roof seams (Fig 1D).
17. Provide a ground-fault interrupter device in all electrical circuits per all applicable codes. Install the heater(s) as per manufacturer’s instructions and governing local and national codes.
18. For maximum protection, it is suggested that the area between the bottom of the enclosure and the concrete base should be caulked except for the “C” panels. **DO NOT CAULK THE BOTTOM OF THE “C” PANELS.**
19. **REMOVE THE PVC MASKING FILM IMMEDIATELY AFTER INSTALLATION.** If the panels get wet with the masking film in place, water will irreversibly stain the panels. Summertime heat will bake the masking film onto the panels.



ENCLOSURES DESIGNED FOR THE WORLD'S WATER SYSTEMS™

## CONTENTS

### **1. Assembly parts included:**

- A. 2- "A" (end) Panels
- B. 4- "B" (side) Panels
- C. 1- "C" (access) Panel
- D. 1- "Cw/d" (access) Panel
- E. 1- "D1" (roof) Panel
- F. 1- "D2" (roof) Panel
- G. 4- Outside Corner Anchoring Brackets (1½" x 1½")
- H. 6- Inside Anchoring Brackets (3" x 3")
- I. 4- Inside Roof Clips
- J. 2- Roof Cover Plates
- K. 1- Inner Roof Connection Bracket (with Tabs)
- L. 1- Package of Anchors
- M. 1- Package of Hex headed screws
- N. 1- Masonry Bit
- O. 1- Magnetic Chuck

### **2. Tools needed:**

- A. Hammer
- B. Drill
- C. ¾" Wrench
- D. Hammer Drill