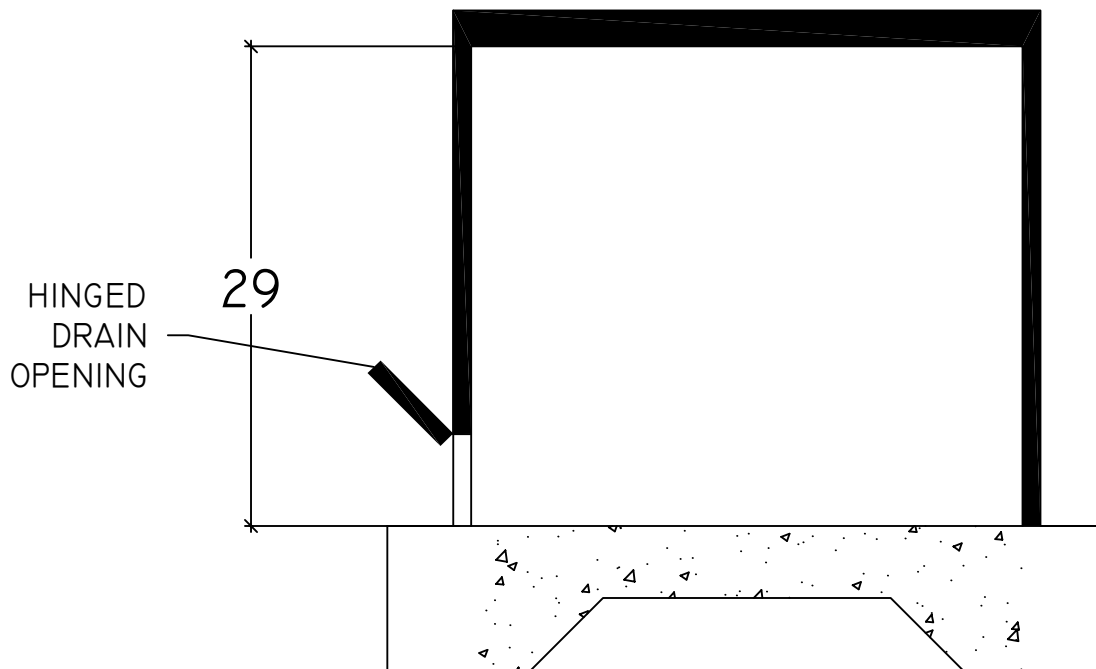




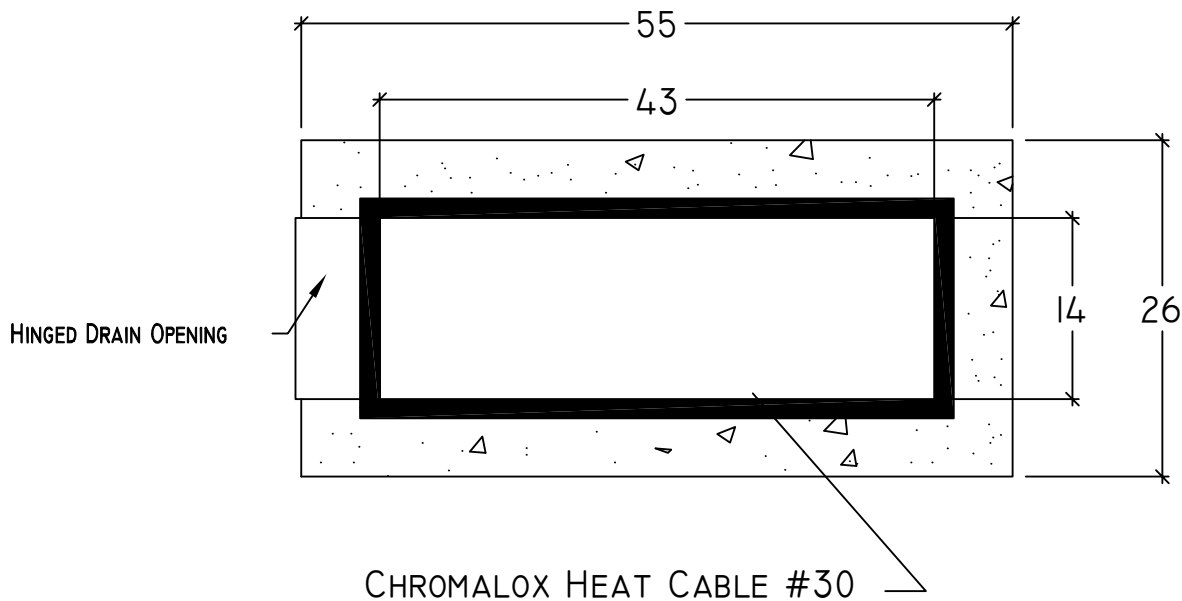
ELEVATION VIEW



200S-AL

SHEET 1 OF 1

PLAN VIEW



5. MODEL 200S-AL ENCLOSURE

6. ENCLOSURE INSIDE DIMENSIONS:

14"W X 43"L X 29"H

7. CONCRETE PAD IS 26"W X 55"L X 4"H

1. DRAWING NOT TO SCALE.

2. ALL DIMENSIONS ARE IN INCHES.

3. WALL AND INSULATION THICKNESS IS 1-1/2".

4. ROOF AND INSULATION THICKNESS IS 1-1/2".