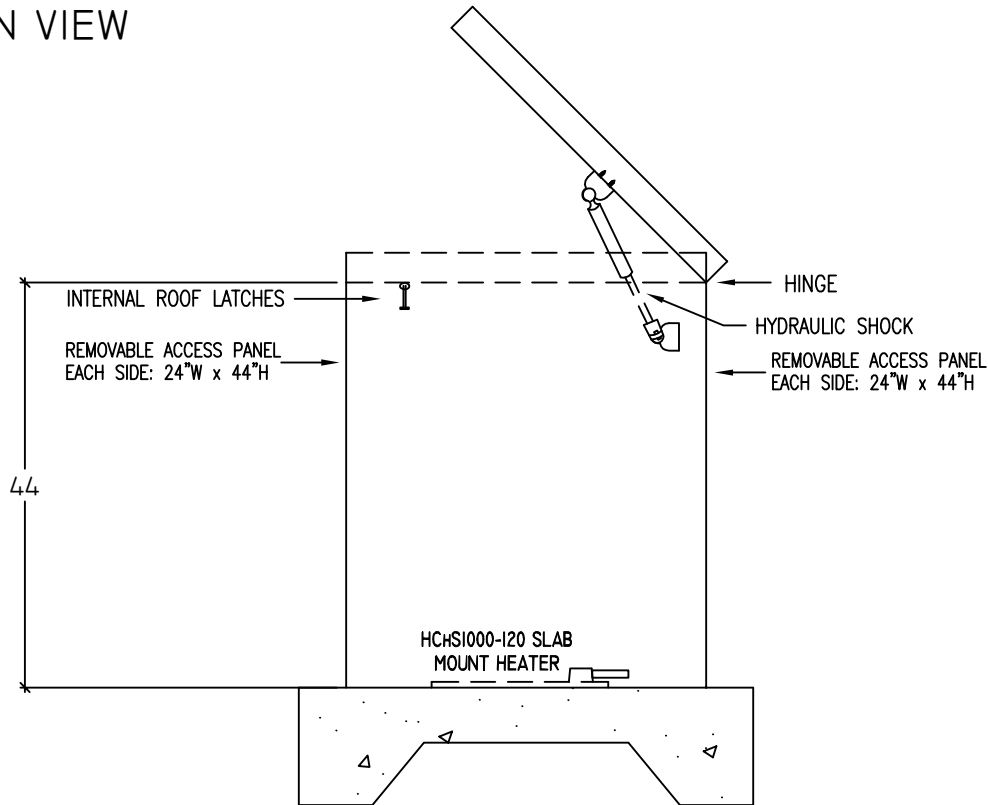
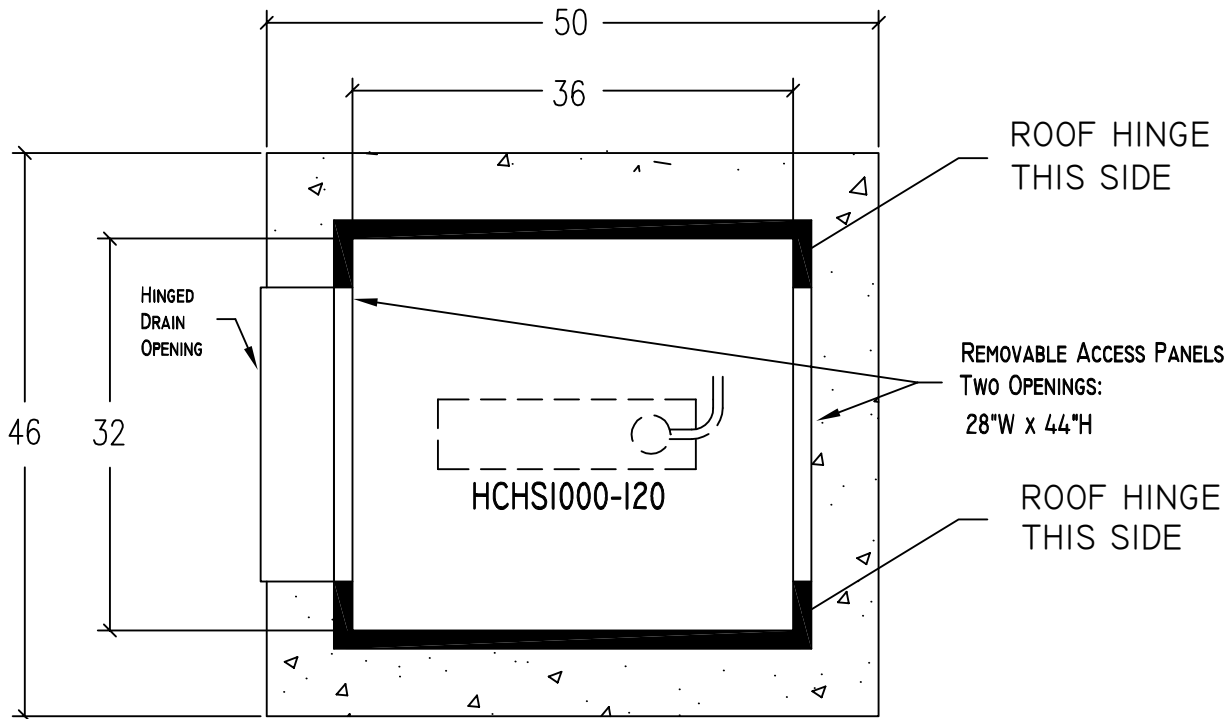


ELEVATION VIEW



PLAN VIEW



400LU880-AL
 SHEET 1 OF 1

- 5. MODEL 400LU880-AL ENCLOSURE
- 6. ENCLOSURE INSIDE DIMENSIONS:
 32"W X 36"L X 44"H
- 7. CONCRETE PAD IS 46"W X 50"L X 6"H

- 1. DRAWING NOT TO SCALE.
- 2. ALL DIMENSIONS ARE IN INCHES.
- 3. WALL AND INSULATION THICKNESS IS 1-1/2".
- 4. ROOF AND INSULATION THICKNESS IS 3".