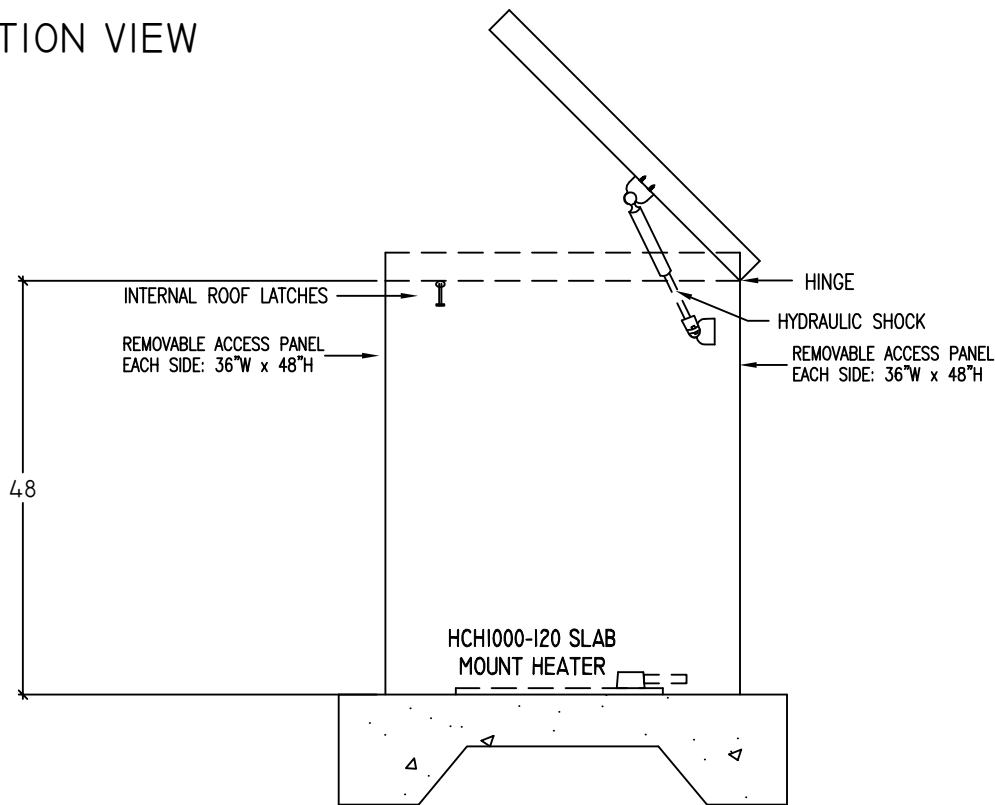


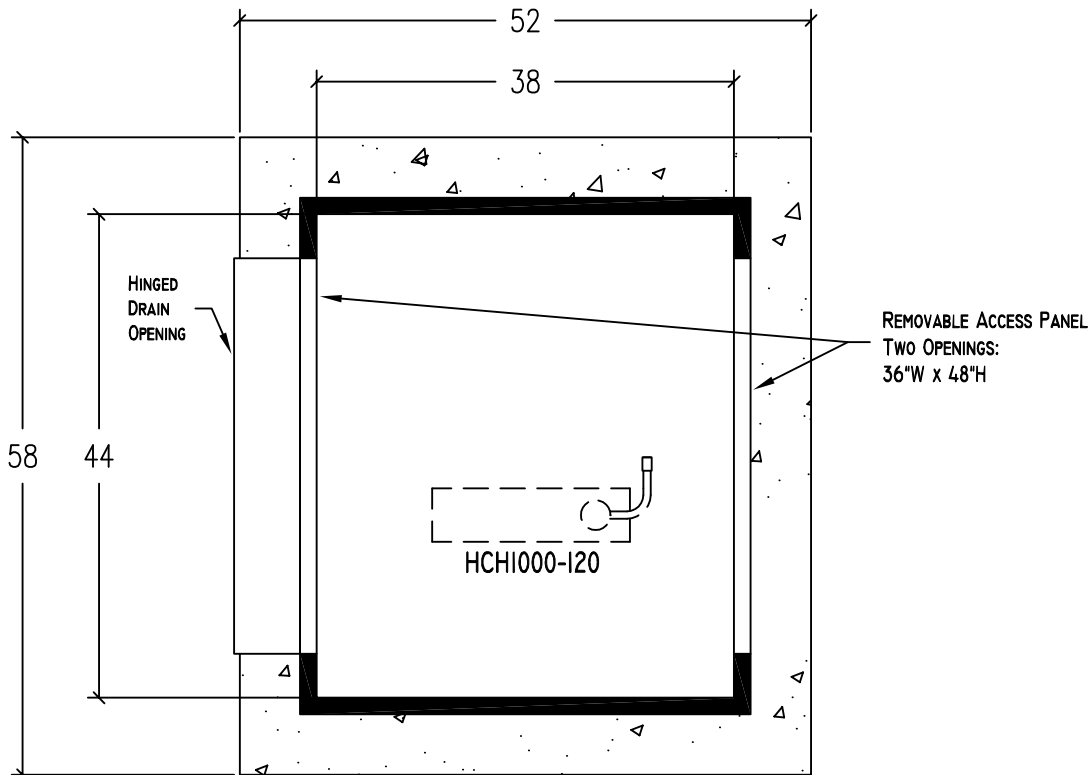
ELEVATION VIEW



600TLU880-AL

SHEET 1 OF 1

PLAN VIEW



5. MODEL 600TLU880-AL ENCLOSURE

6. ENCLOSURE INSIDE DIMENSIONS:

44"W X 38"L X 48"H

7. CONCRETE PAD IS 58"W X 52"L X 6"H

1. DRAWING NOT TO SCALE.

2. ALL DIMENSIONS ARE IN INCHES.

3. WALL AND INSULATION THICKNESS IS 1-1/2".

4. ROOF AND INSULATION THICKNESS IS 3".