



JOB:

ENCLOSURES DESIGNED FOR THE WORLD'S WATER SYSTEMS™

DRAWN BY: JM

SCALE: NONE

DATE: 06/03/16

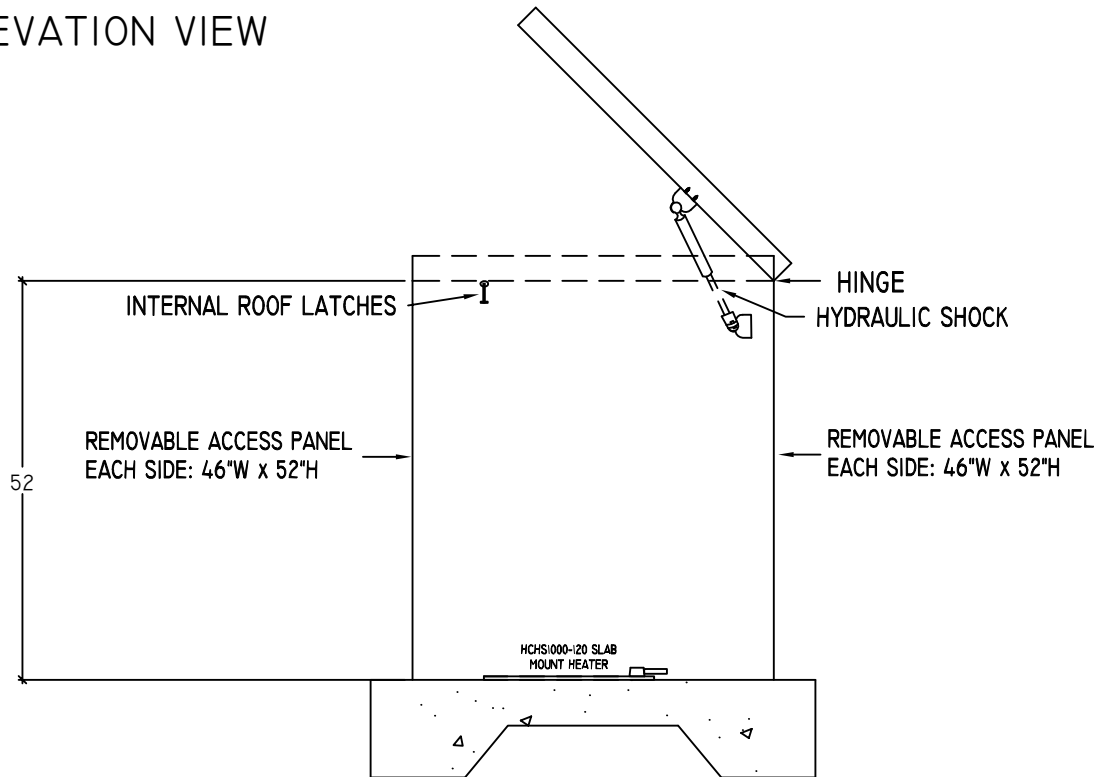
WEBSITE: SAFE-T-COVER.COM

EMAIL: SALES@SAFE-T-COVER.COM

PHONE: (800) 245-6333

FAX: (615) 259-4481

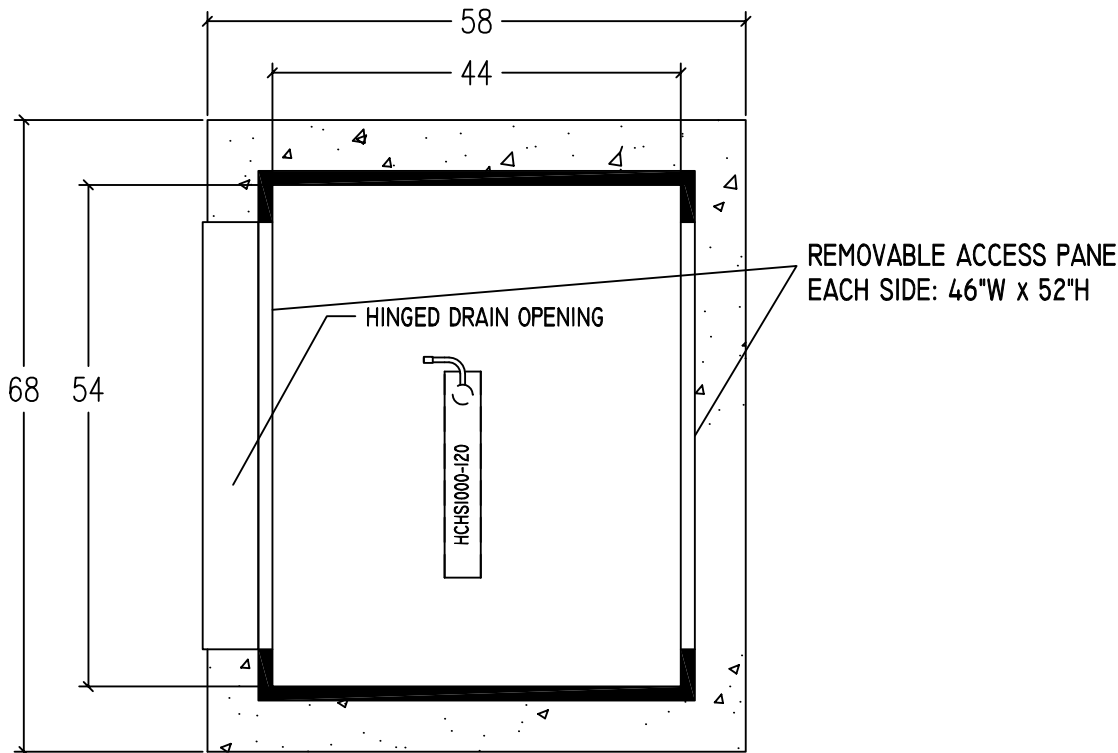
ELEVATION VIEW



800TLU880-AL

SHEET 1 OF 1

PLAN VIEW



5. MODEL 800TLU880-AL ENCLOSURE

6. ENCLOSURE INSIDE DIMENSIONS:

54"W X 44"L X 52"H

7. CONCRETE PAD IS 68"W X 58"L X 6"H

1. DRAWING NOT TO SCALE.

2. ALL DIMENSIONS ARE IN INCHES.

3. WALL AND INSULATION THICKNESS IS 1-1/2".

4. ROOF AND INSULATION THICKNESS IS 3".