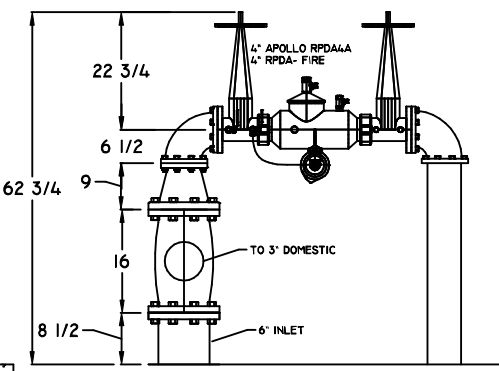
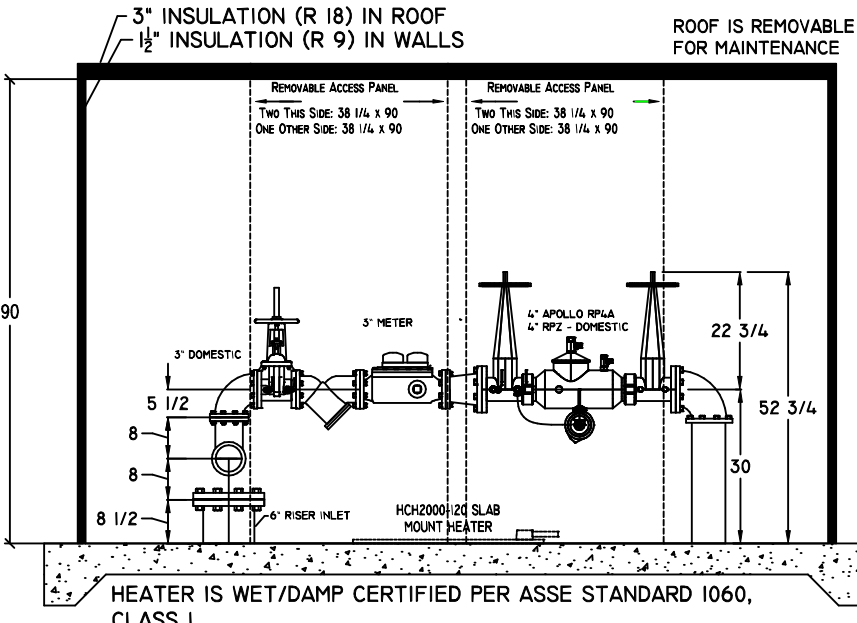
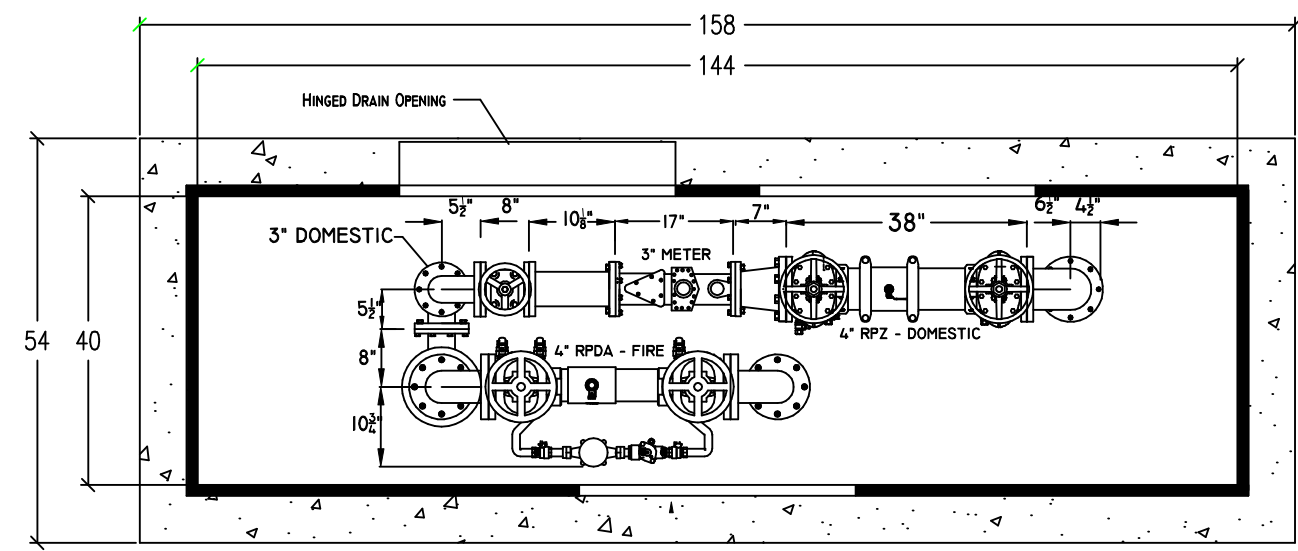




ELEVATION VIEW



PLAN VIEW



4CORP4A-3MET-4RPDA-OSY30.DWG
SHEET 1 OF 1

- 6. MODEL 1000T-AL ENCLOSURE
- 7. ENCLOSURE INSIDE DIMENSIONS:
40"W X 144"L X 90"H
- 8. CONCRETE PAD IS 54"W X 158"L
- 9. 4" APOLLO RPDA4A FIRE, 4" APOLLO RP4A DOMESTIC & 3" METER

- 1. DRAWING NOT TO SCALE.
- 2. BFP DIMENSIONS FURNISHED BY
- 3. ALL DIMENSIONS ARE IN INCHES. (GASKETS INCLUDED)
- 4. WALL AND INSULATION THICKNESS IS 1-1/2".
- 5. ROOF AND INSULATION THICKNESS IS 3".