

JOB: ----



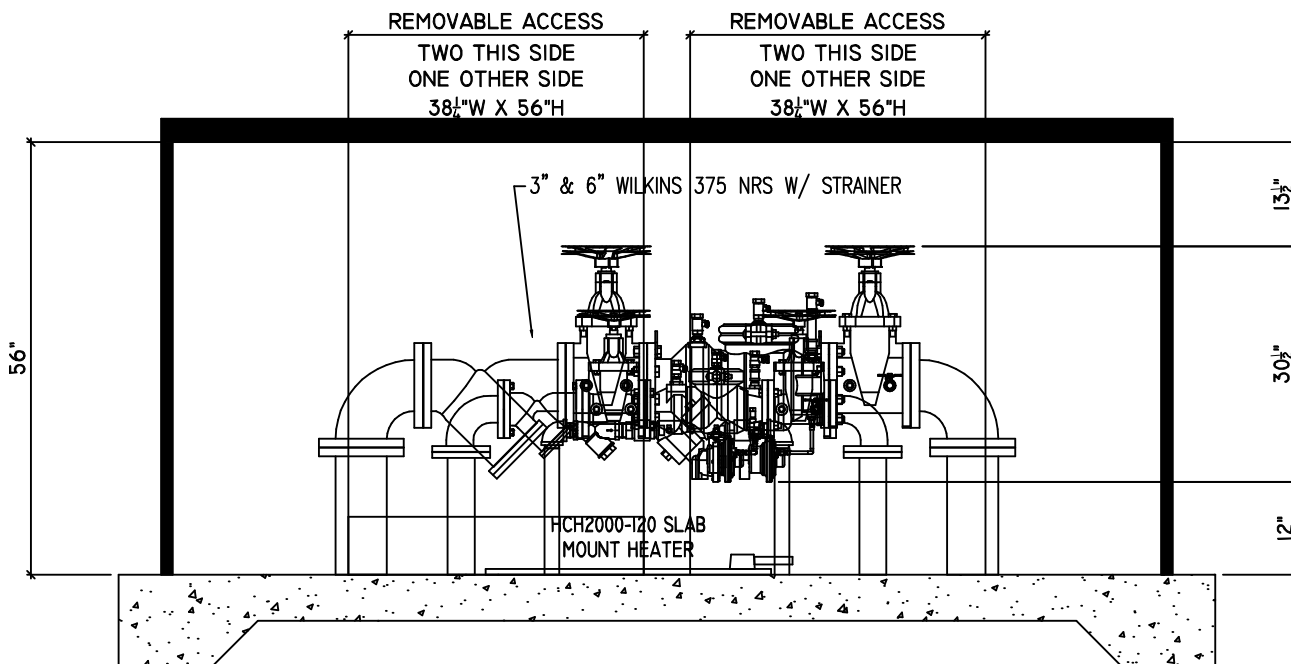
2710 LANDERS AVE
NASHVILLE, TN 37211
PH: (800) 645 6333

DRAWN BY: PP

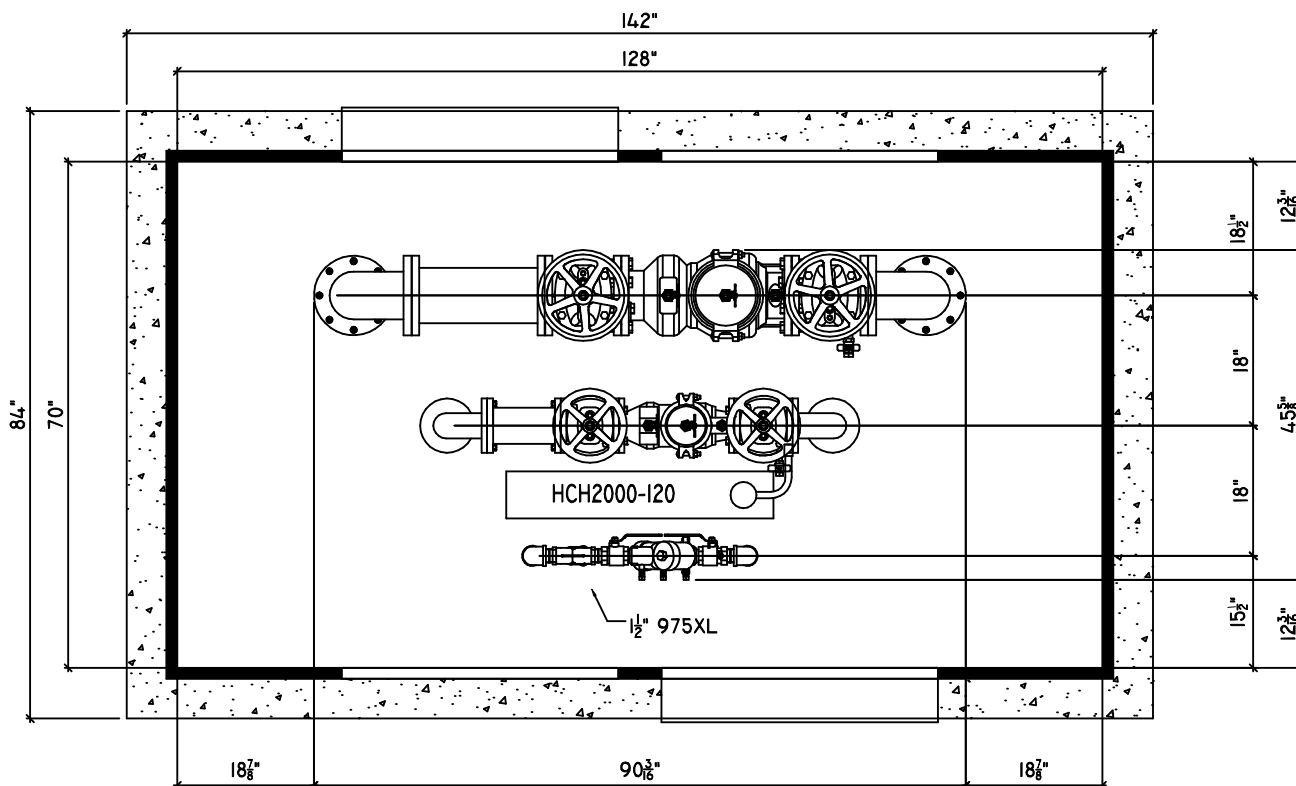
SCALE: NONE

DATE: 5/5/13

ELEVATION VIEW



PLAN VIEW



Q.DWG

SHEET 1 OF 1

- 6. MODEL 600DS-AL ENCLOSURE
- 7. ENCLOSURE INSIDE DIMENSIONS: 70"W X 128"L X 56"H
- 8. CONCRETE PAD IS 84"W X 142"L
- 9. BFP - 3" & 6" WILKINS 375 NRS W/ STRAINER, 1 1/2" WILKINS 975XL W/ STRAINER

1. DRAWING NOT TO SCALE.

2. BFP DIMENSIONS FURNISHED BY

3. ALL DIMENSIONS ARE IN INCHES. (GASKETS INCLUDED)

4. WALL AND INSULATION THICKNESS IS 1-1/2".

5. ROOF AND INSULATION THICKNESS IS 3".