

JOB: ----



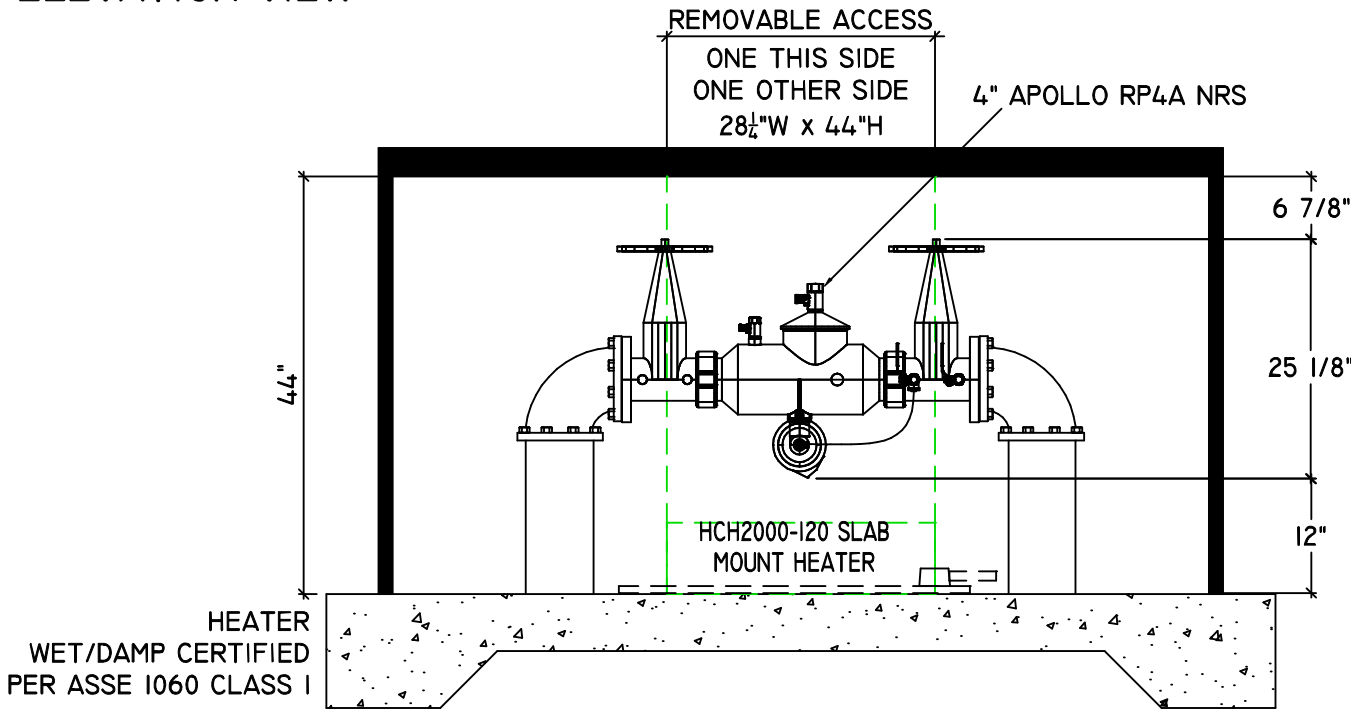
2710 LANDERS AVE  
NASHVILLE, TN 37211  
PH: (800) 645 6333

DRAWN BY: MM

SCALE: NONE

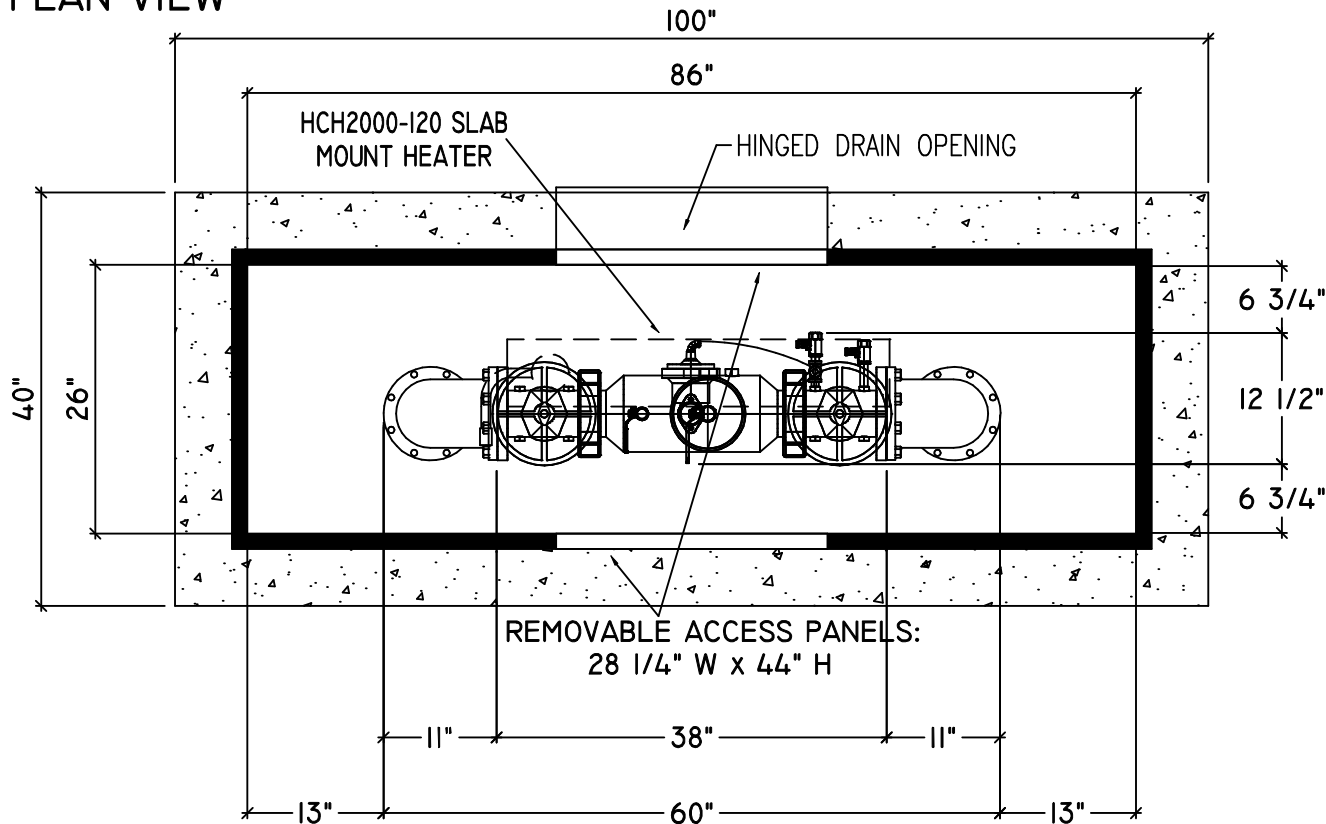
DATE: MAR 2013

ELEVATION VIEW



4CORP4A-NRS12  
SHEET 1 OF 1

PLAN VIEW



- 6. MODEL 400-AL ENCLOSURE
  - 7. ENCLOSURE INSIDE DIMENSIONS: 26"W X 86"L X 44"H
  - 8. CONCRETE PAD IS 40"W X 100"L
  - 9. BFP - 4" APOLLO RP4A NRS
- 1. DRAWING NOT TO SCALE.
  - 2. BFP DIMENSIONS FURNISHED BY
  - 3. ALL DIMENSIONS ARE IN INCHES. (GASKETS INCLUDED)
  - 4. WALL AND INSULATION THICKNESS IS 1-1/2".
  - 5. ROOF AND INSULATION THICKNESS IS 3".