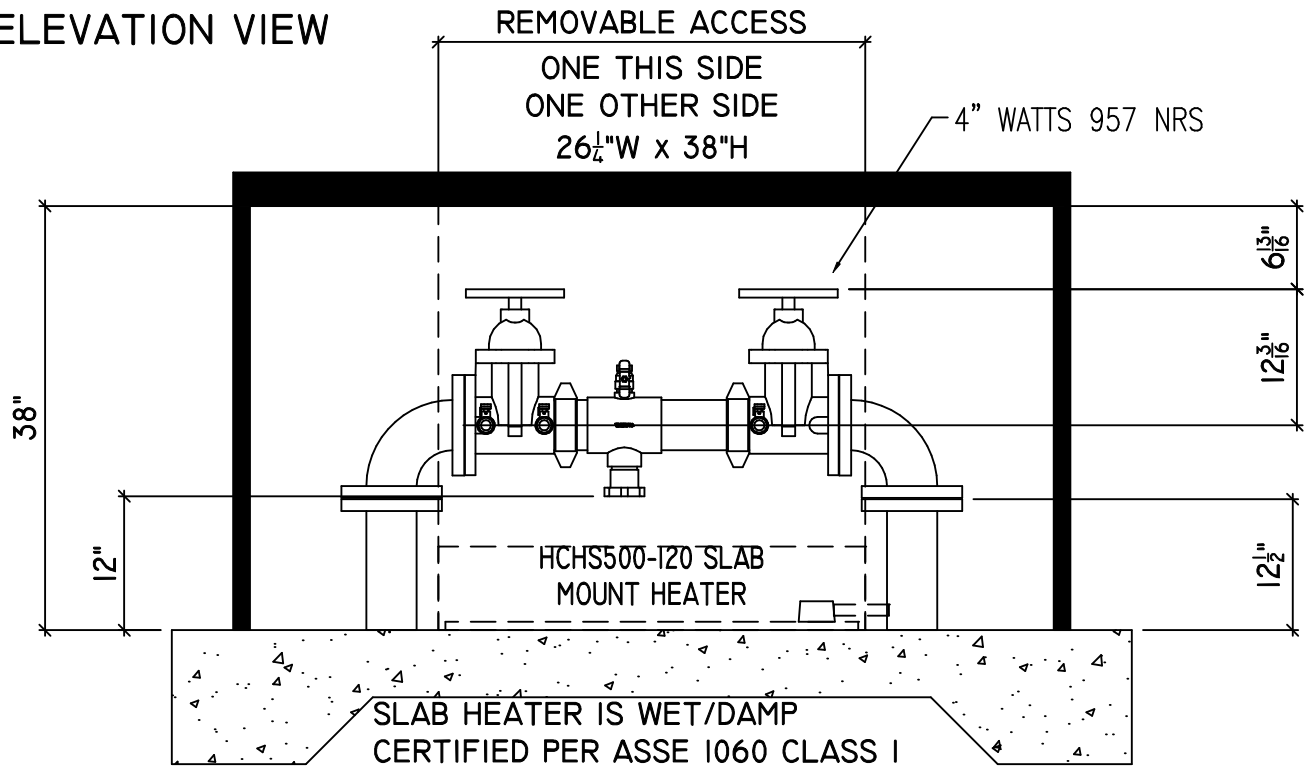


DRAWN BY: GP

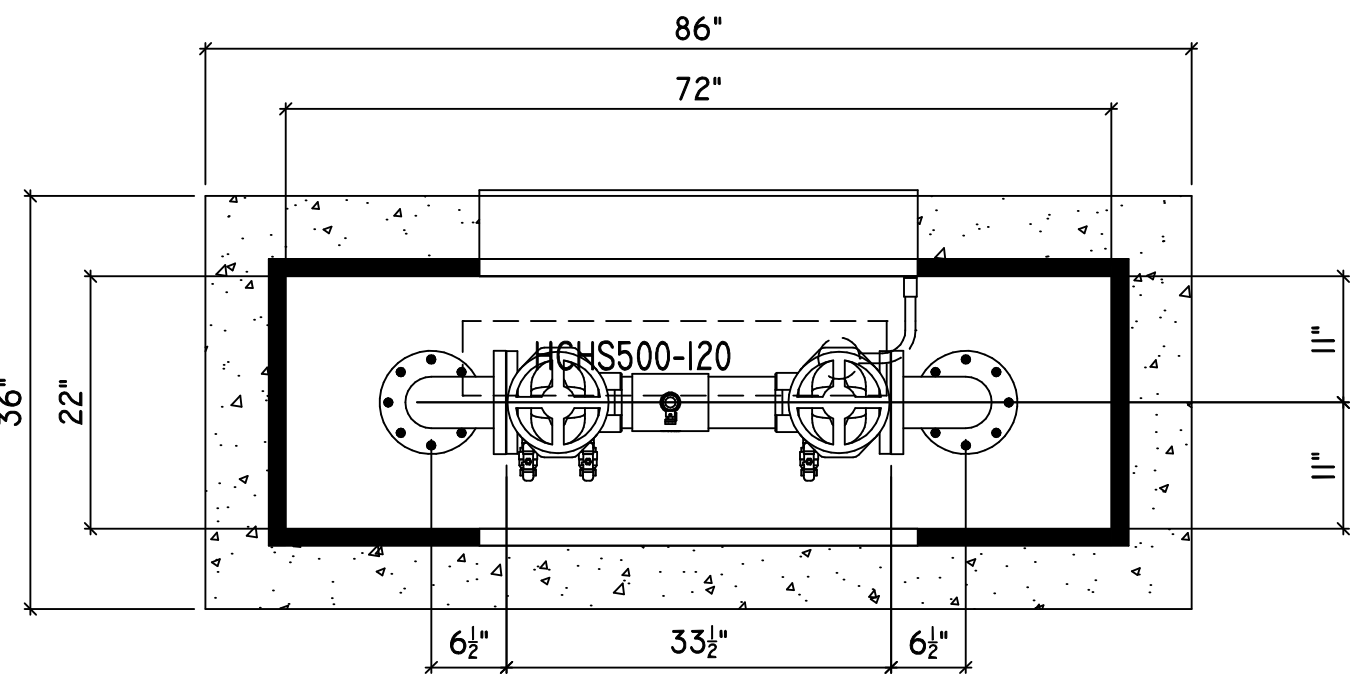
SCALE: NONE

DATE: 7/11/17

ELEVATION VIEW



PLAN VIEW



4" WATTS 957 NRS/2
SHEET 1 OF 1

- 6. MODEL 300-AL ENCLOSURE
- 7. ENCLOSURE INSIDE DIMENSIONS: 22"W X 72"L X 38"H
- 8. CONCRETE PAD IS 36"W X 86"L
- 9. BFP - 4" WATTS 957 RPZ NRS

- 1. DRAWING NOT TO SCALE.
- 2. BFP DIMENSIONS FURNISHED BY
- 3. ALL DIMENSIONS ARE IN INCHES. (GASKETS INCLUDED)
- 4. WALL AND INSULATION THICKNESS IS 1-1/2".
- 5. ROOF AND INSULATION THICKNESS IS 3".