

JOB: ----



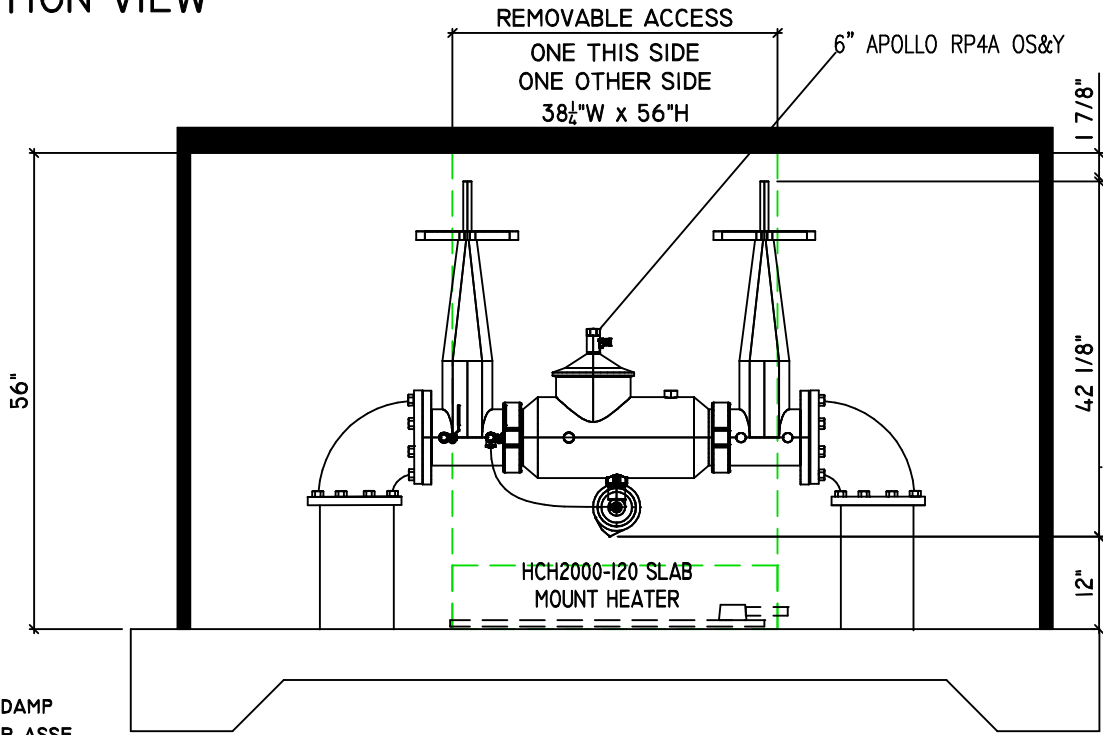
2710 LANDERS AVE
NASHVILLE, TN 37211
PH: (800) 645 6333

DRAWN BY: MM

SCALE: NONE

DATE: JAN 2013

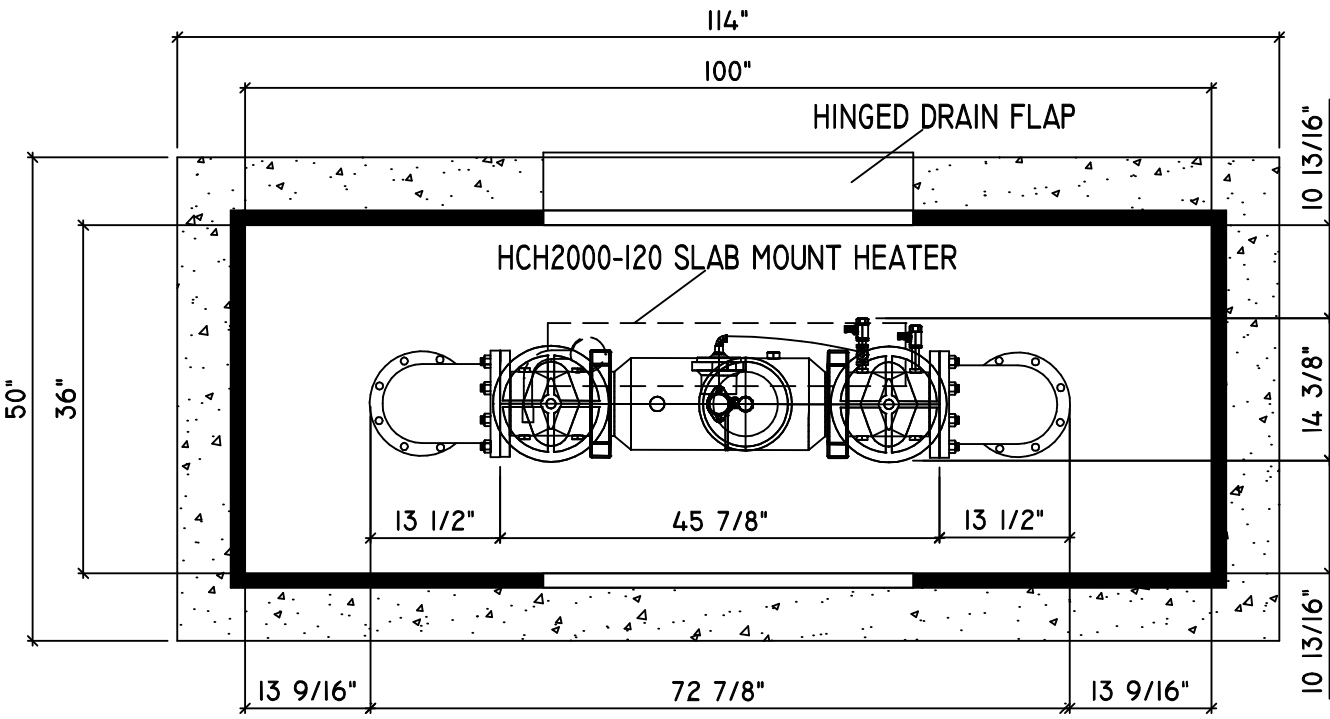
ELEVATION VIEW



HEATER WET/DAMP
CERTIFIED PER ASSE
1060 CLASS I

6CORP4A-OSY12
SHEET 1 OF 1

PLAN VIEW



- 6. MODEL 600-AL ENCLOSURE
- 7. ENCLOSURE INSIDE DIMENSIONS: 36"W X 100"L X 56"H
- 8. CONCRETE PAD IS 50"W X 114"L
- 9. BFP - 6" APOLLO RP4A OS&Y

- 1. DRAWING NOT TO SCALE.
- 2. BFP DIMENSIONS FURNISHED BY
- 3. ALL DIMENSIONS ARE IN INCHES. (GASKETS INCLUDED)
- 4. WALL AND INSULATION THICKNESS IS 1-1/2".
- 5. ROOF AND INSULATION THICKNESS IS 3".