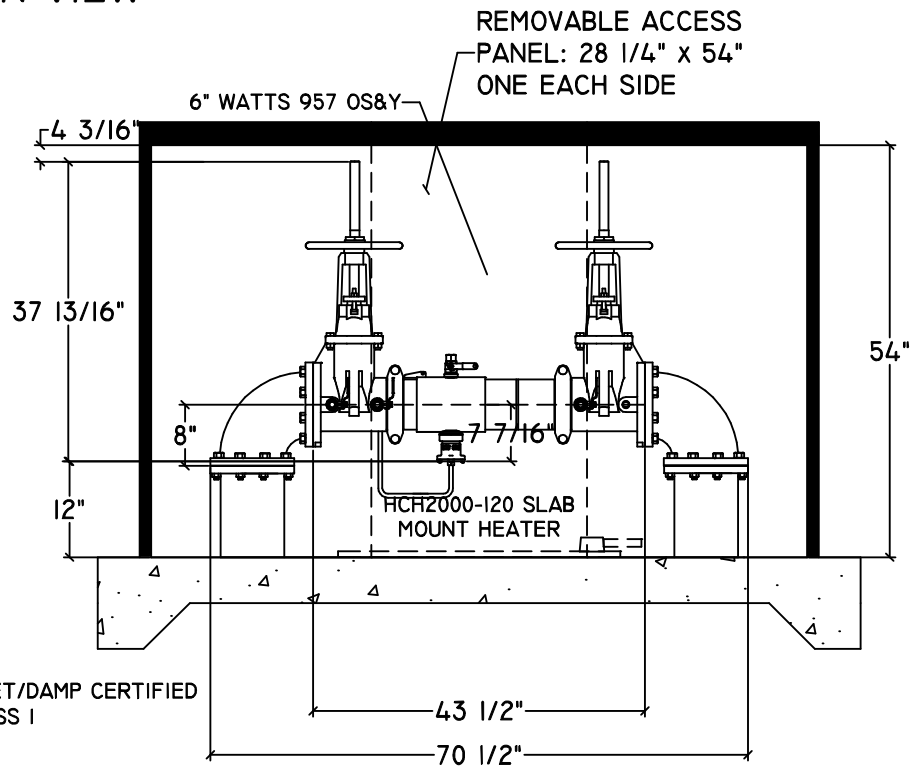


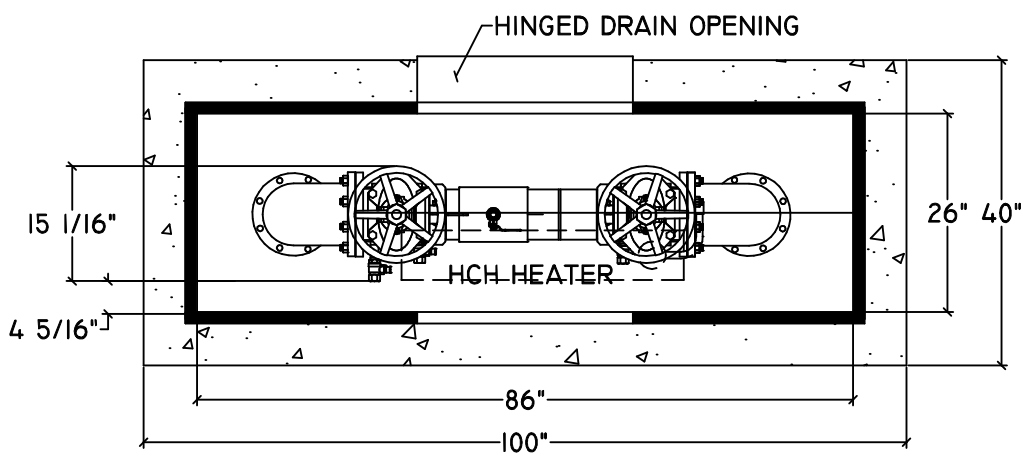
JOB:
 DRAWN BY: PP SCALE: NONE DATE: JULY 2013

ELEVATION VIEW



SLAB HEATER IS WET/DAMP CERTIFIED PER ASSE 1060 CLASS I

PLAN VIEW



6WA957-OSY-12
 SHEET 1 OF 1

- 6. MODEL 400T-AL ENCLOSURE.
- 7. ENCLOSURE INSIDE DIMENSIONS: 26"W x 86"L x 54"H
- 8. CONCRETE PAD IS 40"W x 100"L
- 9. BFP - 6" WATTS 957 - OS&Y

- 1. DRAWING NOT TO SCALE.
- 2. BFP DIMENSIONS FURNISHED BY WATTS
- 3. ALL DIMENSIONS ARE IN INCHES.
- 4. WALL AND INSULATION THICKNESS IS 1-1/2".
- 5. ROOF AND INSULATION THICKNESS IS 3".