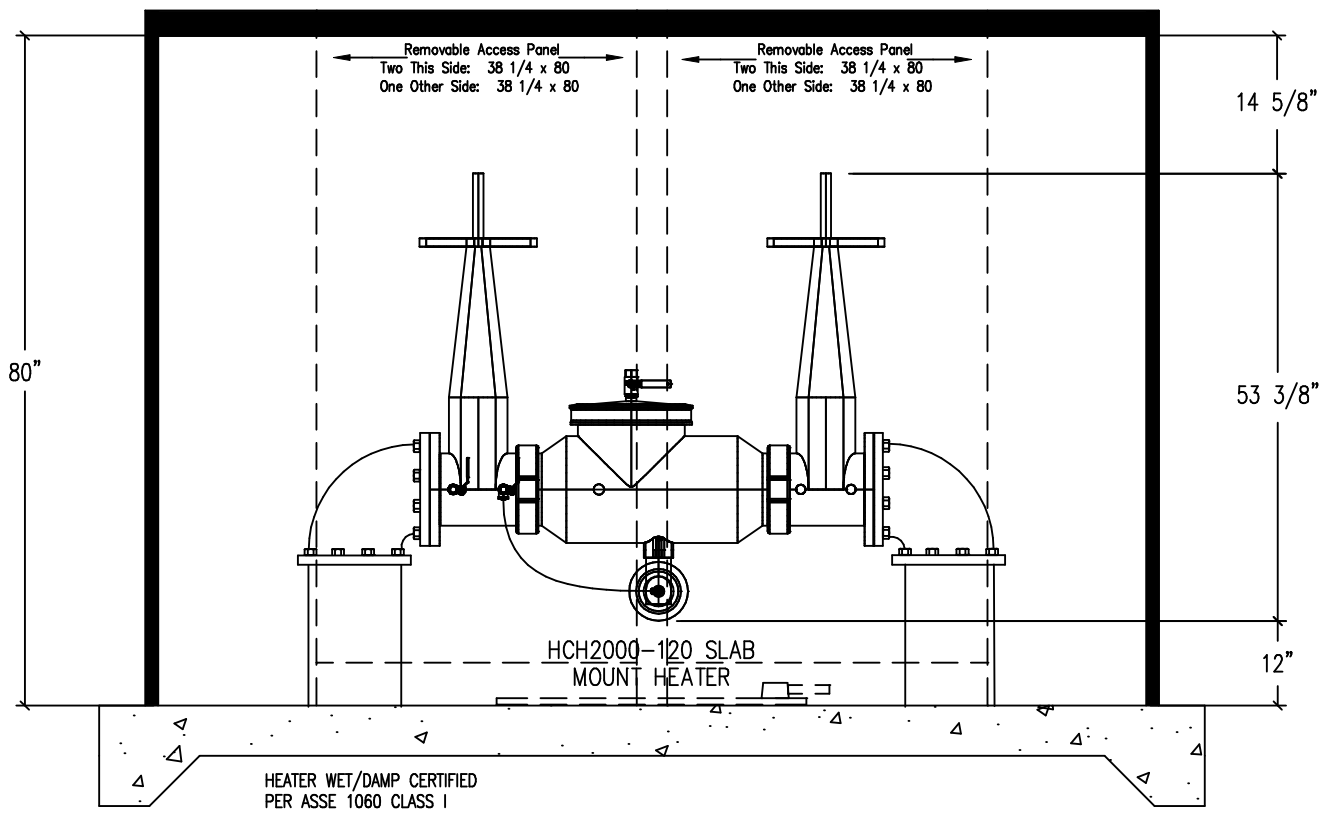




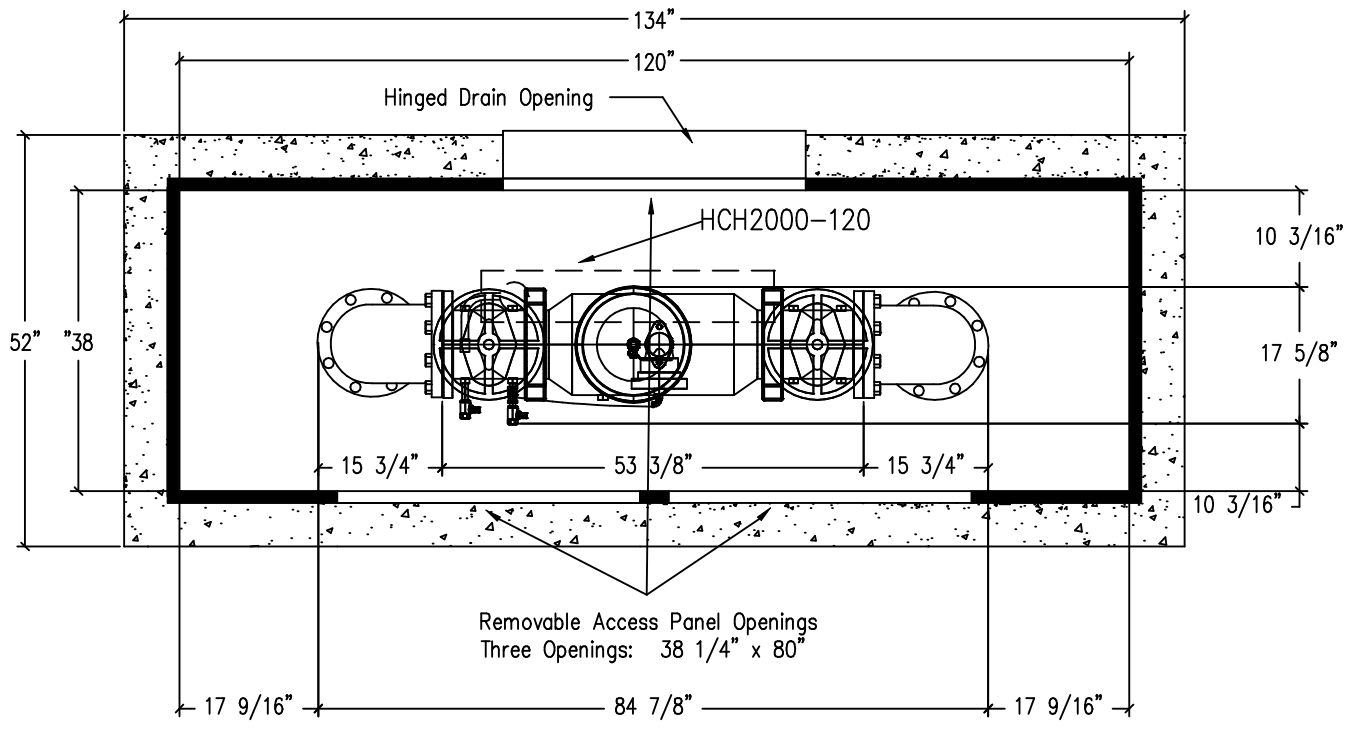
ELEVATION VIEW

8" APOLLO RP4A OS&Y



FN: 8CORP4A-OSY12  
Sheet 1 of 1

PLAN VIEW



- 6. MODEL 800T-AL ENCLOSURE.
  - 7. Enclosure inside dimensions: 38"W x 120"L x 80"H
  - 8. Concrete pad is 52"W x 134"L
  - 9. BFP - 8" APOLLO RP4A OSY
- 
- 1. Drawing NOT TO SCALE.
  - 2. BFP dimensions furnished by
  - 3. All dimensions are in inches.
  - 4. Wall and insulation thickness is 1-1/2".
  - 5. Roof and insulation thickness is 3".