

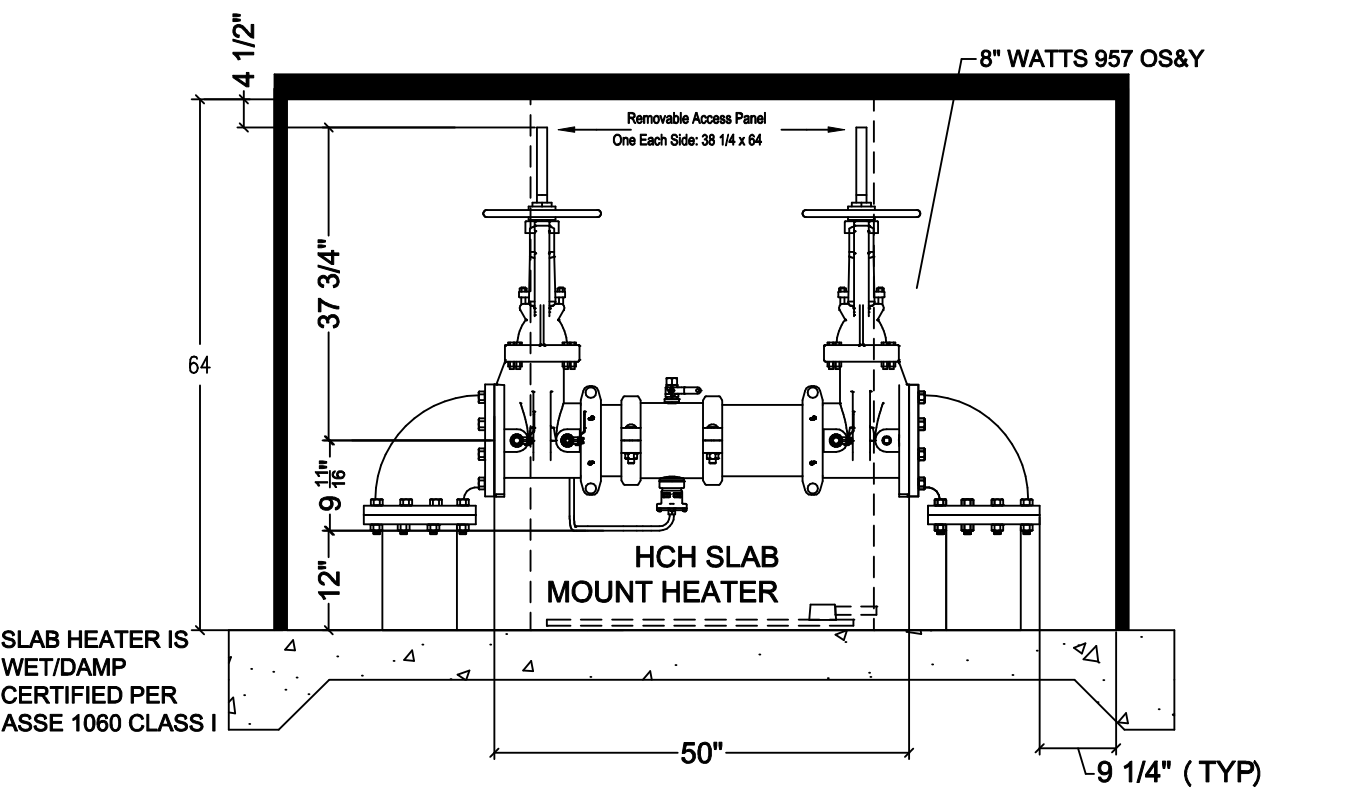
JOB:

Drawn By: PP

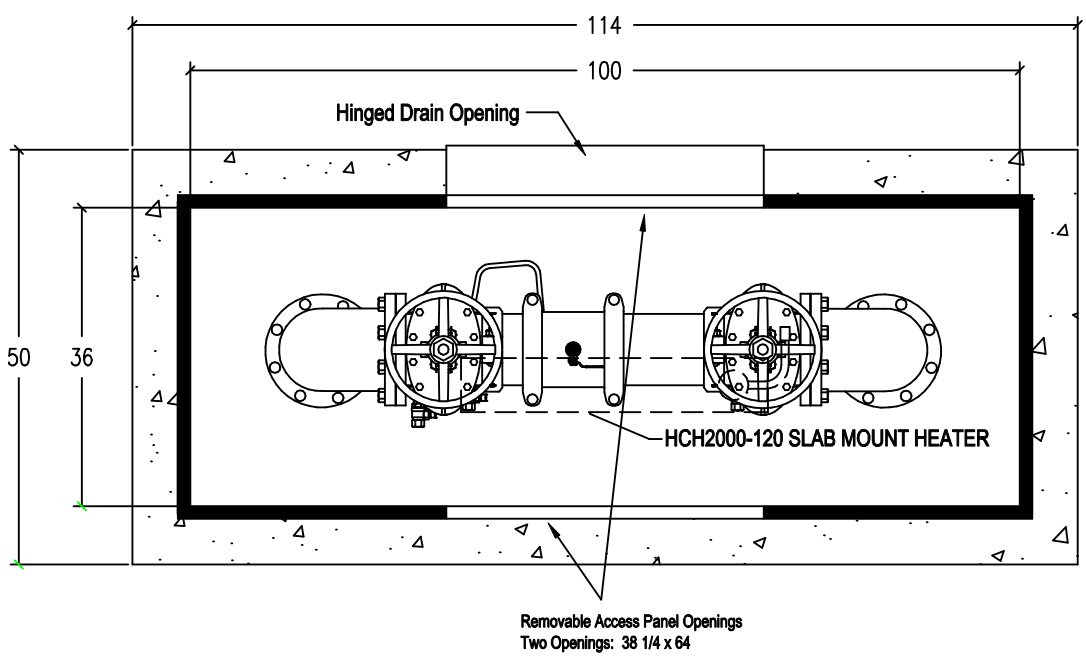
Scale: None

Date: JULY 2013

ELEVATION VIEW



PLAN VIEW



8WA957-OSY-12
Sheet 1 of 1

- 6. MODEL 600T-AL ENCLOSURE.
- 7. Enclosure inside dimensions: 36"W x 100"L x 64"H
- 8. Concrete pad is 50"W x 114"L
- 9. BFP - 8" WATTS 957 -OSY

- 1. Drawing NOT TO SCALE.
- 2. BFP dimensions furnished by WATTS
- 3. All dimensions are in inches.
- 4. Wall and insulation thickness is 1-1/2".
- 5. Roof and insulation thickness is 3".