

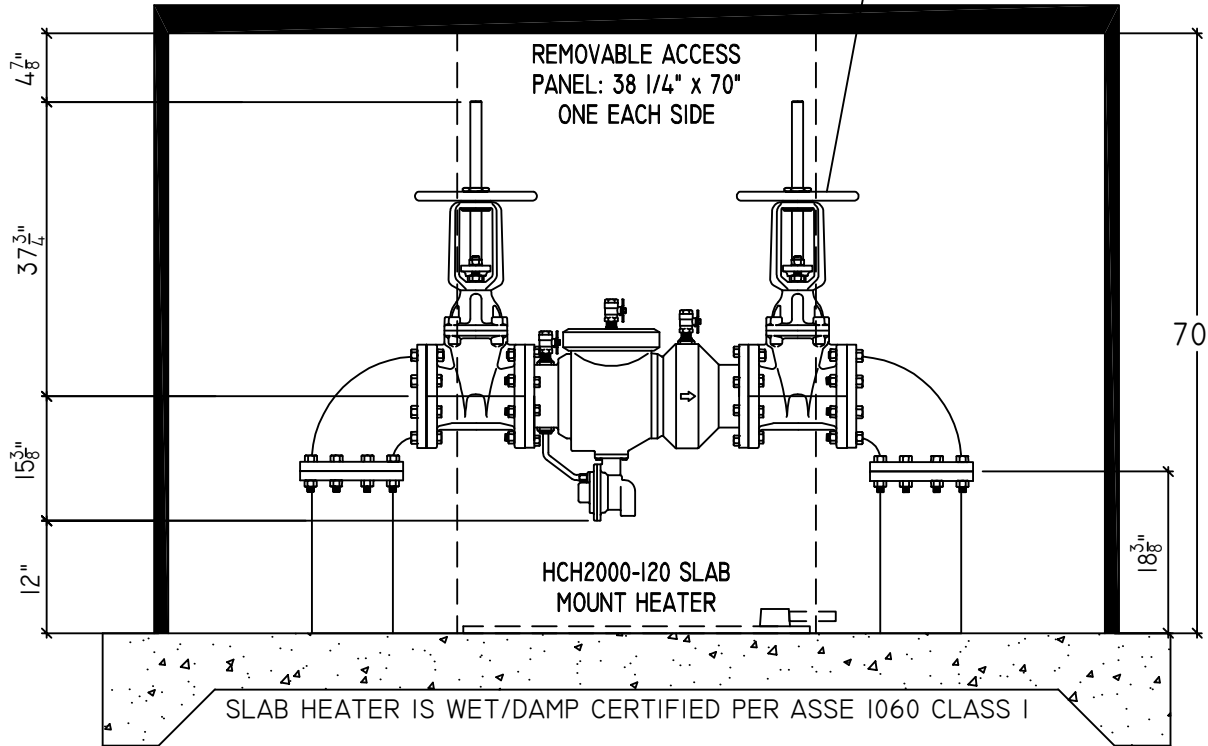


ELEVATION VIEW

ROOF IS REMOVABLE FOR MAINTENANCE

8" WILKINS 375, 375A, 375AST- OS&Y

REMOVABLE ACCESS PANEL: 38 1/4" x 70" ONE EACH SIDE

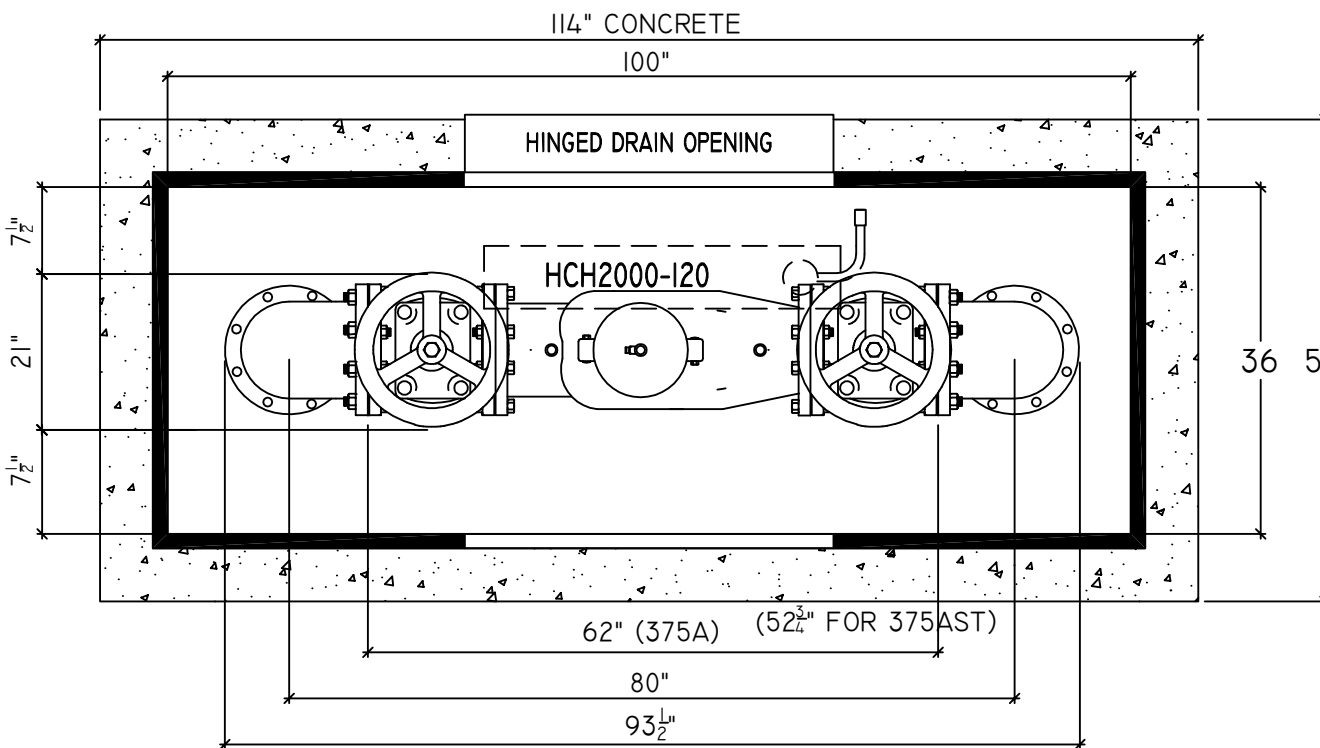


SLAB HEATER IS WET/DAMP CERTIFIED PER ASSE I060 CLASS I

8WI375A-OSY12.DWG

SHEET 1 OF 1

PLAN VIEW



6. MODEL 600TM-AL ENCLOSURE

7. ENCLOSURE INSIDE DIMENSIONS: 36"W X 100"L X 70"H

8. CONCRETE PAD IS 50"W X 114"L X 6"H

9. BFP - 8" WILKINS 375, 375A, 375AST- OS&Y

1. DRAWING NOT TO SCALE.

2. BFP DIMENSIONS FURNISHED BY WILKINS

3. ALL DIMENSIONS ARE IN INCHES.

4. WALL AND INSULATION THICKNESS IS 1-1/2".

5. ROOF AND INSULATION THICKNESS IS 3".