

Prysm 85 Visual Workplace Solution

Transform your workplace with the Prysm 85 Visual Workplace Solution powered by the Prysm Application Suite. Prysm Visual Workplace Solutions deliver powerful features with an interface that's as easy to use as a tablet. Packed with tools that bring together people, content and ideas, they display streaming video, web apps, documents, presentations, images and inputs from laptops and mobile devices with a simple tap. Size, position and annotate any content on screen through the touch interface. Mirror up to ten Visual Workplaces to extend real-time collaboration across multiple sites. With Prysm Visual Workplace Solutions, you'll streamline workflow, increase productivity, accelerate decision making and change the way you work – forever.

For more information, contact us at sales@prysm.com, +1.408.586.1178 or 1.877.99.PRYSM.



Target Applications

| | |
|---------------|--|
| Room Types | Conference rooms Team spaces Board rooms Briefing centers Training rooms Demo centers |
| Room Size | Small and medium rooms, 4 – 10 people |
| Ambient Light | Suitable for normal indoor ambient lighting conditions (avoid direct sunlight) |

Display Characteristics

| | |
|--|---|
| Display Resolution (W × H) | 3840 × 2160 pixels |
| Refresh Rate | 100/120 Hz |
| Max Input Resolution and Frame Rate | 3840 × 2160 @ 60 Hz |
| Total Pixel Count | 8.3 million |
| Display Active Area (W × H × diagonal) | 73.7 in × 41.5 in × 84.5 in 1872 mm × 1053 mm × 2146 mm |
| Display Aspect Ratio (W/H) | 16 : 9 |
| Display Color | >1 billion colors, 10 bit data path |
| Panel Brightness (typical) | 500 cd/m |
| Panel Contrast Ratio | 3000:1 |
| Backlight Illumination | Direct LED |
| Response Time (typical) | 6.5 ms |
| Pixel Pitch | 0.49 mm × 0.49 mm |
| Ideal Viewing Distance | 3 – 30 ft 1 – 10 m |
| Display Dimensions (W × H × D, with handles) | 75.8 in × 43.6 in × 4.7 in 1926 mm × 1108 mm × 119 mm |
| Cover Glass | Corning® Gorilla® glass Chemically-strengthened, 2mm Zero air gap |
| Touch Type | High-resolution IR |
| Touch Points | 12 simultaneous touch points |
| Touch Resolution | Sub-pixel |
| Touch Update Rate | 200 fps |
| Touch Latency | 5 – 10 ms |
| Touch Accuracy | 2.7 mm |
| Audio | Two rear facing speakers, 10 W each |

Application Appliance (X30)

| | |
|----------------------------------|---|
| Video Output | NVIDIA® Quadro® K1200 (4x Mini DisplayPort 1.2) |
| Video Capture/Input ¹ | 4x HDMI 1.4a |
| Processor | Intel® Xeon E3 |
| Storage | 256 GB SSD |
| Dimensions (W × H × D) | 13.3 in × 3.95 in × 15.0 in 338 mm × 100 mm × 381 mm |

Accessories

| | |
|-----------------|--|
| Sold separately | Interactive Input Controller ² QuadLynk ³ |
|-----------------|--|

¹ HDCP-compliant HDMI inputs accept HDMI live source inputs at 720p @ 60 Hz and 1080p @ 60 Hz, such as laptops, tablets, VTC, HDTV. HDCP-encoded content connected as a live source is not displayed.

² IIC enables control of a connected laptop (Mac, Win, Linux) from the display via USB and one HDMI input.

³ QuadLynk allows the sharing of video sources such as laptops, cameras, media players, and video teleconferencing systems via HDMI connections.

...continued on reverse

Prysm 85 Visual Workplace Solution

Environmental

| | Display | Application Appliance |
|---------------------------|--|--|
| Weight | 234.4 lbs, 106.3 kg | 16.0 lbs, 7.2 kg |
| Power Consumption | Max: 520 W Typical: 450 W Standby: ≤ 0.5 W | Max: 155 W Typical: 130 W Sleep: 2.1 W |
| Heat Output | Max: 1774 BTU/hr Typical: 1535 BTU/hr | Max: 890 BTU/hr Typical: 444 BTU/hr |
| Operating Temperature | 41 – 104 °F 5 – 40 °C | 40 – 95 °F 5 – 35 °C |
| Storage Temperature | -4 – 140 °F -20 – 60 °C | -40 – 140 °F -40 – 60 °C |
| Humidity (non-condensing) | Up to 90% RH | Up to 85% (operating) |
| Power Supply | 100 – 240 VAC | 100 – 240 VAC |
| IP Rating | 50 | 50 |

Regulatory

| | |
|--------|---|
| FCC | FCC CFR Title 47 Part 15 Subpart B: Class A, CISPR 22 ANSI C63.4 ICES-003 Issue 5 |
| CE | EN 55022, EN 55024, EN 61000-3-2, EN 61000-3-3 |
| cTUVus | UL 60950-1 CAN/CSA-C22.2 NO.60950-1-07 |
| CB | IEC 60950-1 |
| CCC | GB9254, GB4943.1, GB17625.1 |
| CEL | GB21520 |

Display Stand/Cart

| | |
|----------------------|---|
| Exterior Width (max) | 48.0 in, 1220 mm |
| Exterior Depth (max) | 24.5 in, 623 mm |
| Weight | 120.0 lbs, 54.4 kg |
| Included Parts | Camera tray, accessories tray and castors |

Application Appliance Cabinet

| | |
|---------------------------|--|
| Dimensions (W × H × D) | 30.0 in × 20.3 in × 5.1 in 762 mm × 516 mm × 129 mm |
| Weight | 28.5 lbs, 12.9 kg |

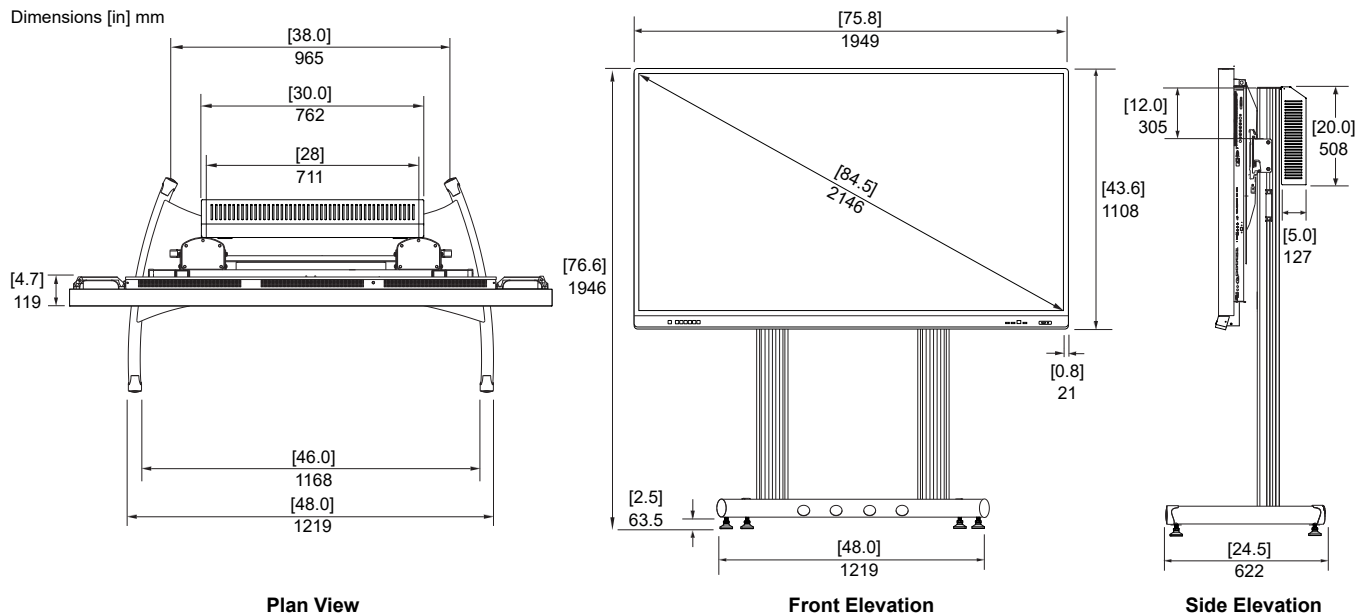
Wall Mount

| | |
|------|------------------------------------|
| VESA | 500 mm × 400 mm 500 mm × 600 mm |
|------|------------------------------------|

Clearances

| | |
|--|--|
| Minimum Ceiling Height | 96.0 in, 2438 mm |
| Display Start Height | 33.0 in, 838 mm Add 2.5 inches, 76 mm for castors |
| Required Clearances — Passive Ventilation | Front: 12.0 in, 300 mm Rear: 8.0 in, 200 mm |

Dimensions [in] mm



Contact us at sales@prysm.com, +1.408.586.1178 or 1.877.99.PRYSM with the following product information:

Product ID: PR-LCDAG-85
Part Number: 038-00025-01

Disclaimer:

The information contained herein is subject to change without notice. The only warranties for Prysm products and services are set forth in the express warranty statements accompanying the applicable customer agreement. Nothing herein should be construed as constituting an additional warranty. This document is provided solely for general informational purposes. Prysm shall not be liable for technical or editorial errors or omissions contained herein. Video wall display characteristics may vary from the tile display characteristics specified herein based upon factors including, but not limited to, the size of the video wall and display configuration settings. All trademarks mentioned are the property of their respective owners.