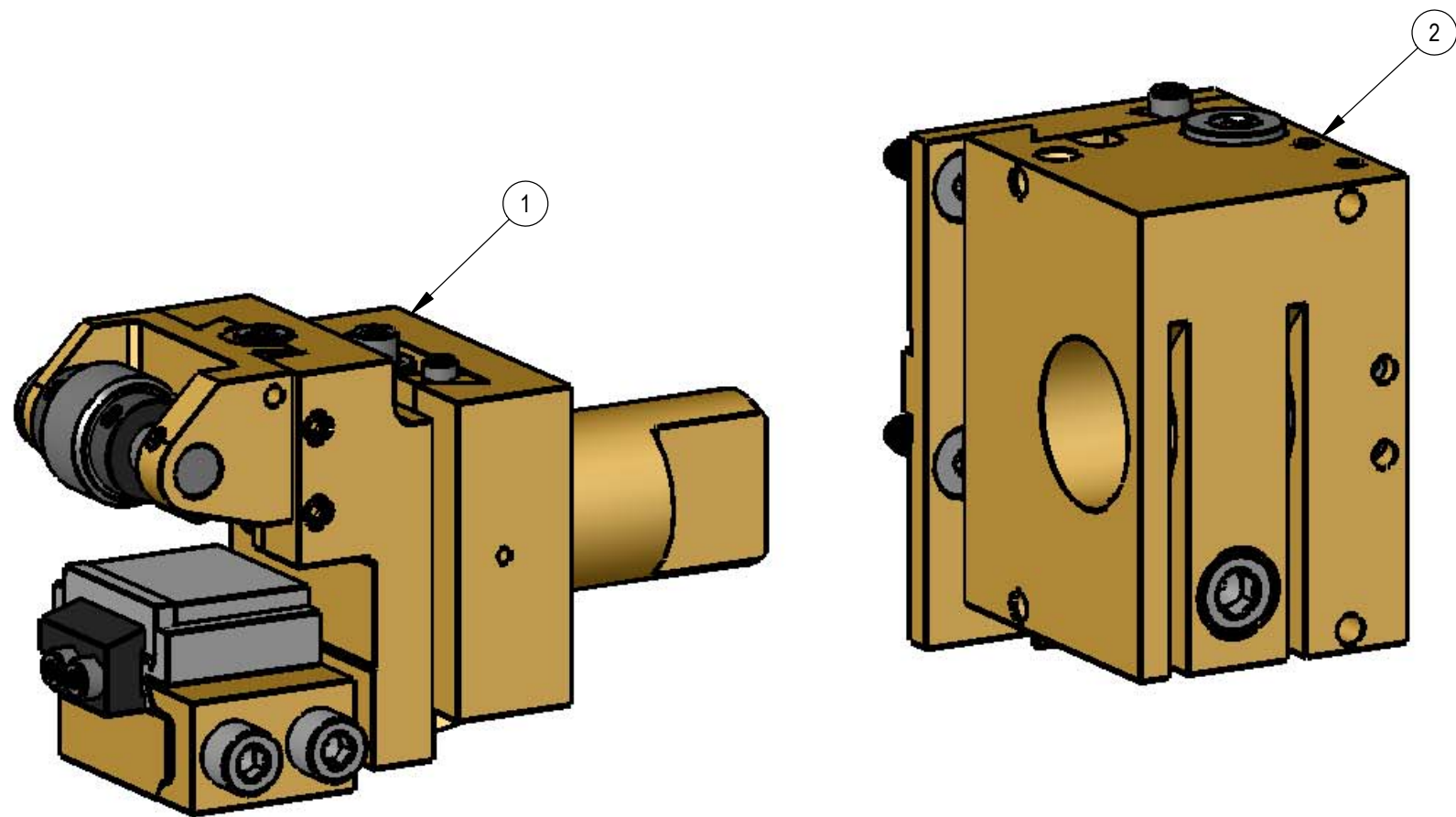


REV	ZONE	ECN	REVISION DESCRIPTION	DATE	ENG
A	Released	12/04	DC



ITEM NO.	PART NUMBER	Description	QTY.
1	111-01	Center Shave Tool Assembly	1
2	111-12	3rd Position Tool Block Assembly	1

THIS DRAWING IS THE CONFIDENTIAL AND EXCLUSIVE PROPERTY OF C.J. WINTER MACHINE TECHNOLOGIES, INC. AND MAY NOT BE COPIED, REPRODUCED, OR DISCLOSED IN ANY WAY, WHATSOEVER TO ANYONE WITHOUT THE EXPRESS WRITTEN PERMISSION OF C.J. WINTER MACHINE TECHNOLOGIES, INC. UNLAWFUL DISCLOSURE MAY RESULT IN PROSECUTION
© 2004 C.J. WINTER MACHINE TECHNOLOGIES, INC.

UNLESS OTHERWISE SPECIFIED: DRAWING MUST COMPLY TO C. J. WINTER ENGINEERING STANDARD E1058 & ASME Y14.5M 1994. UNTOLERANCED DIMENSIONS ARE BASIC

	.020	A	B	C	SW
--	------	---	---	---	----

DRAWN BY: E. Pacavar
 DWG DATE: 12/16/04
 ENG. APPR: D. Cole
 APPR DATE: 12/16/04
 MATERIAL:
 HEAT TRT:



DWG SIZE: SCALE: 1:1
B
 SHEET 1 OF 1

Shave Tool and 3rd Position Block

DRAWING NO.
111-15