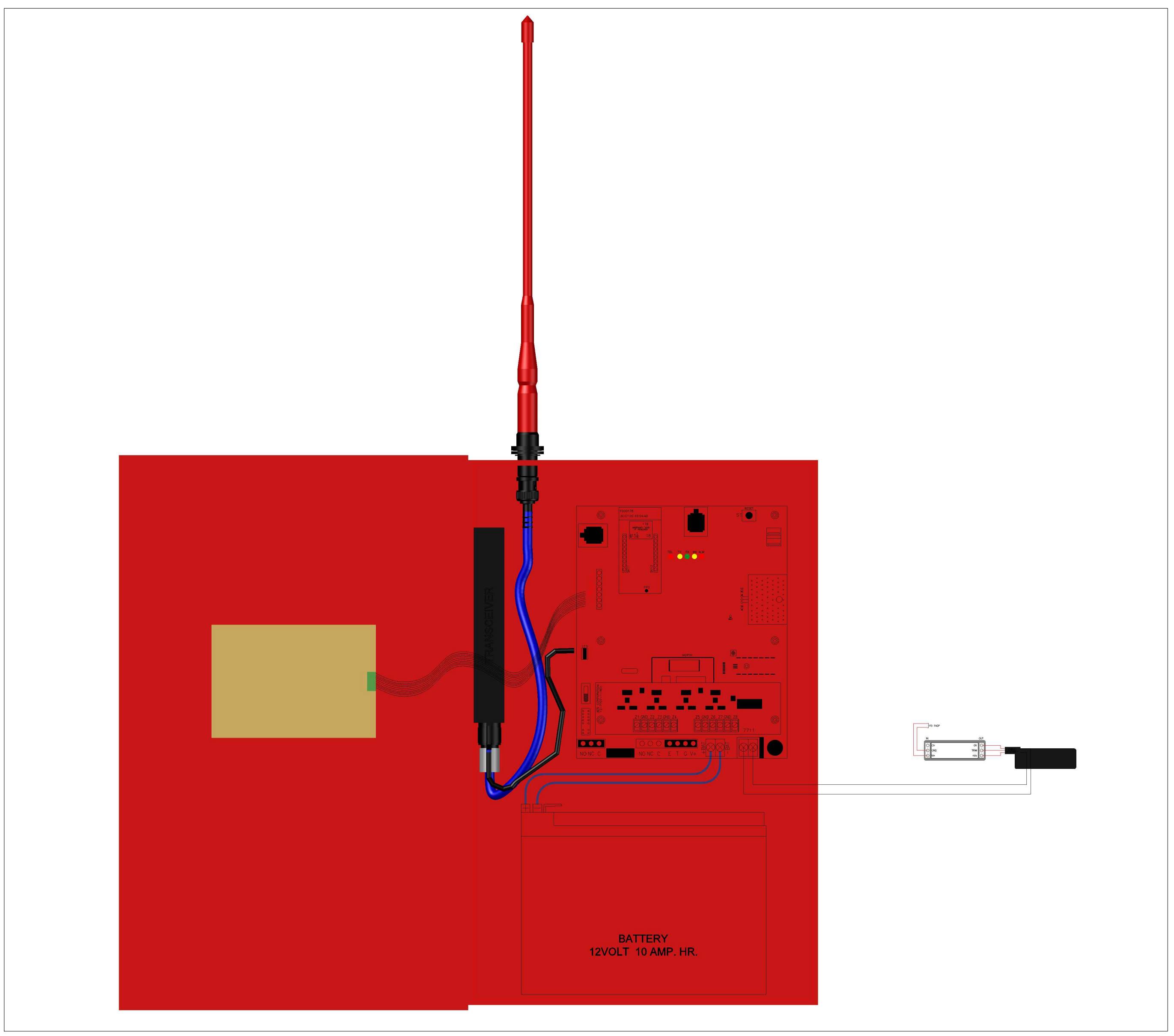
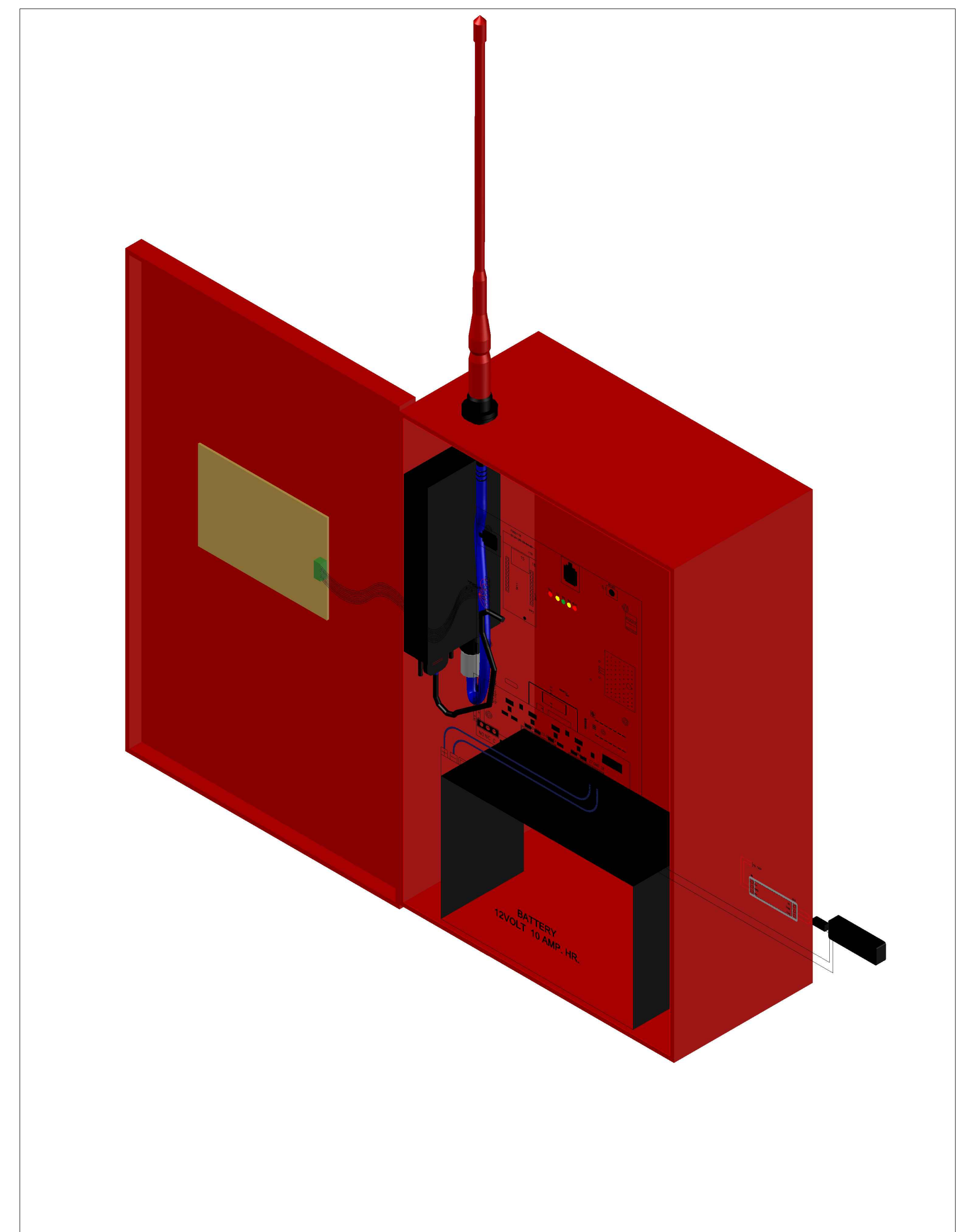


7707P-88 DETAIL VIEW




7707P-88 FRONT VIEW



7707P-88 3D VIEW

APPROVAL	
CAD/REVIT PATRICK GADLIN, DESIGNER	DATE 09/12/2016
DESIGN REVIEW DANIEL TATE, LEAD DESIGNER	DATE 09/12/2016
AES	DATE

TITLE
AES 7707-88
FIRE SUBSCRIBER
WITH
AES-INTELLIPRO
AND LOCAL
ANNUNCIATOR

		
SCALE 1:2	DRAWING NAME 7707P-88.DWG	REV. 1
SHEET 1 OF 1		