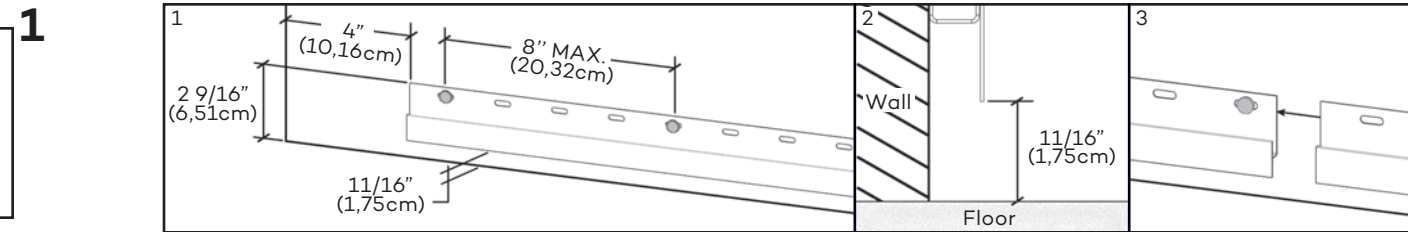
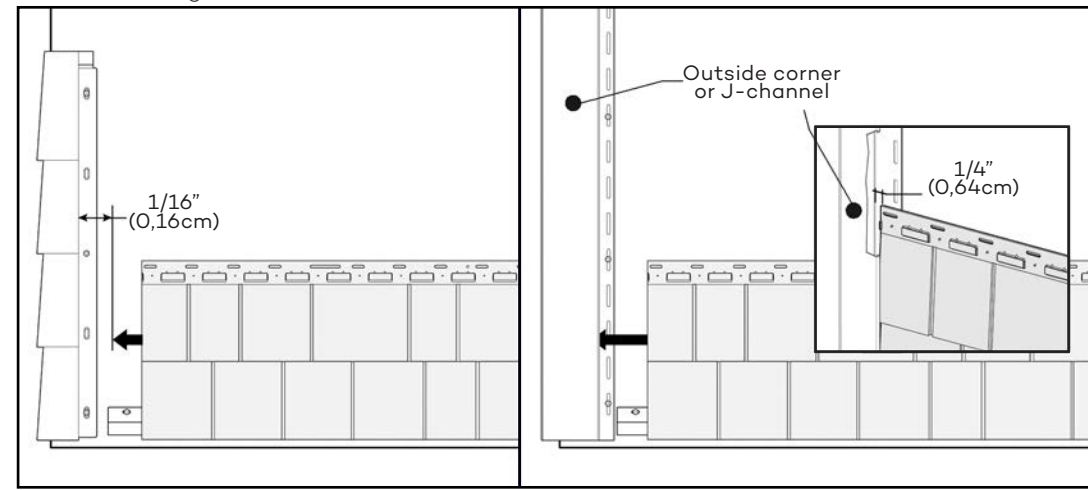


**CAUTION: ALWAYS INSTALL PRODUCT FROM LEFT TO RIGHT AND REMEMBER THAT POLYMER UNDERGOES EXPANSION/CONTRACTION DUE TO TEMPERATURE VARIATIONS. FOR A BETTER LOOK WE RECOMMEND TO INSTALL PRODUCT ON FLAT SURFACES (EX: PLYWOOD PANELS OR OSB PANELS). IF SECTIONS ARE INSTALLED ON A WALL WITH FURRINGS, FURRING STRIPS MUST BE INSTALLED OBLIQUELY AND SPACED BY 8"(20,32CM).**

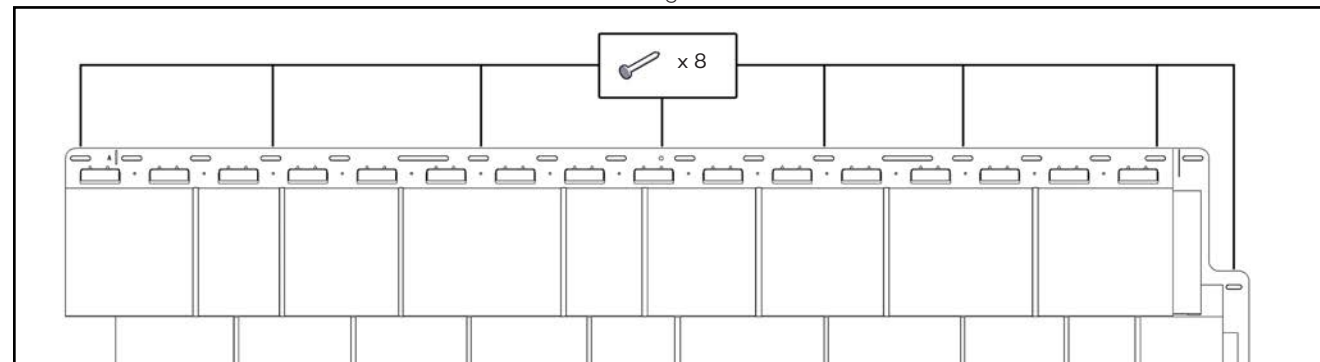
FRANÇAIS  
AU VERSO



**2** When using TandoShake™ corners. When used with J-channel or outside corner.

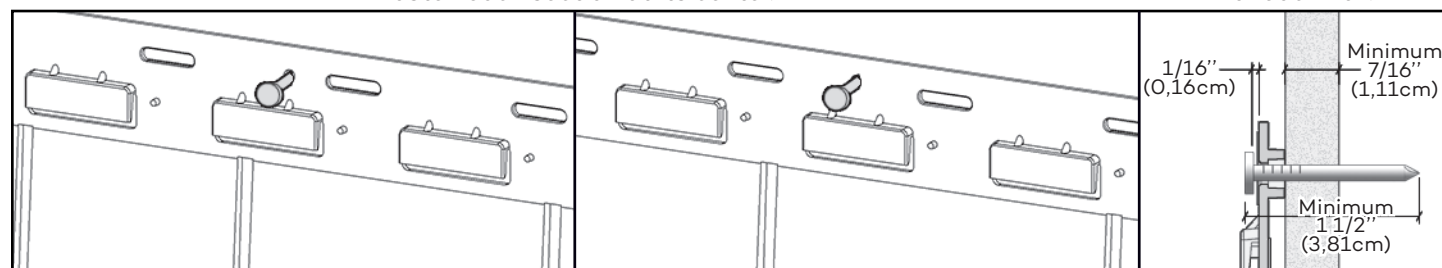


**3** For full length section.



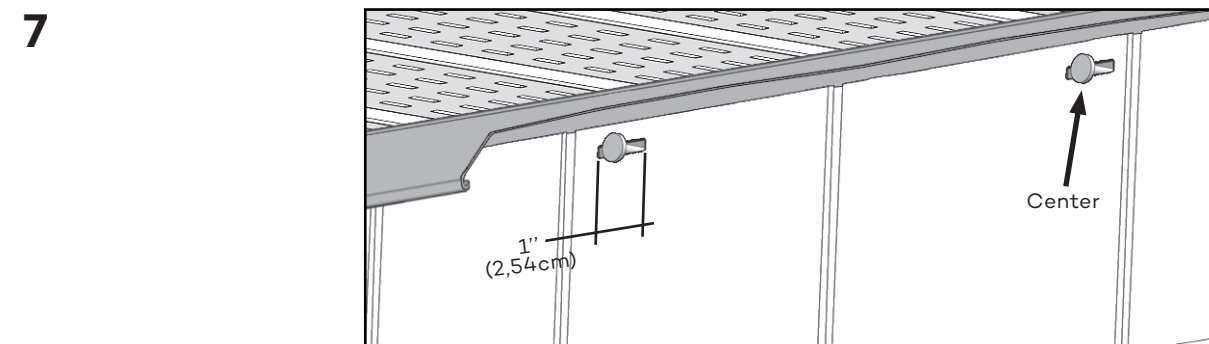
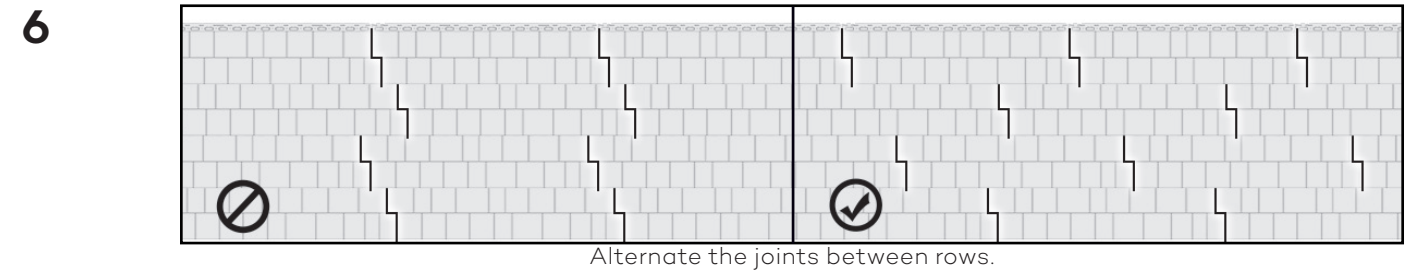
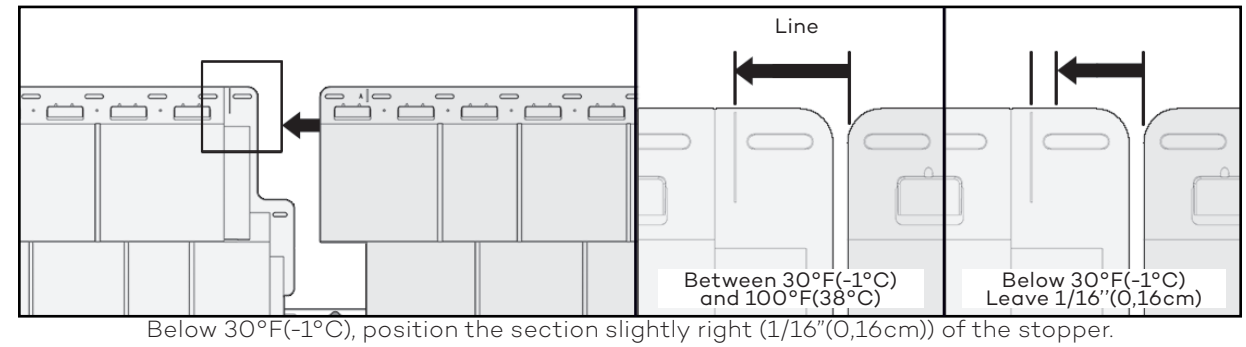
Maximum 8"(20,32cm) between each nails.

**4** Fasten each section at its center. For each nail.



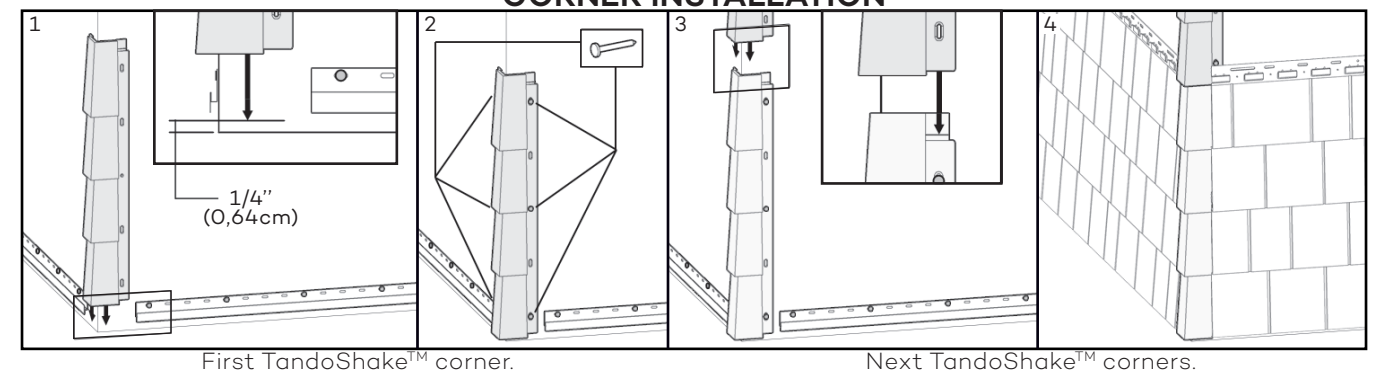
When installing a full section, nail in the center hole first. When installing a cut section, nail in its center as shown.

**5** Install sections and space equally. For installation when outside temperature is between 30°F(-1°C) and 100°F(38°C), press against stopper.



If you need to attach the section in an area other than the installation hole, create a 1"(2,54 cm) long slot to allow nailing. Always nail in the middle of the slot.

**8** CORNER INSTALLATION



First TandoShake™ corner.

Next TandoShake™ corners.

**ATTENTION: TOUJOURS INSTALLER LE PRODUIT DE LA GAUCHE VERS LA DROITE ET NE JAMAIS OUBLIER QUE LES POLYMÈRES SUBISSENT DE L'EXPANSION/CONTRACTION DUES AUX VARIATIONS DE TEMPÉRATURE. POUR UNE MEILLEURE APPARENCE, NOUS RECOMMANDONS D'INSTALLER LE PRODUIT SUR DES SURFACES PLANES (EX: PANNEAUX DE CONTRE-PLAQUÉ OU OSB). SI INSTALLER SUR UN MUR LATTÉ, INSTALLER LES LATTES À L'OBLIQUE ET AUX 8" (20,32CM).**

ENGLISH ON REVERSE

