

Estimating sheet

Contact: _____

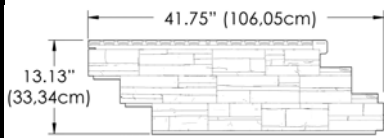
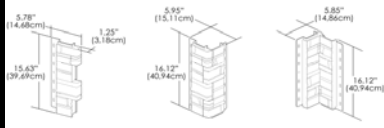
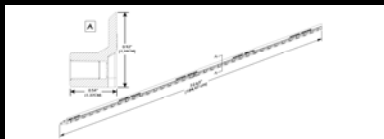
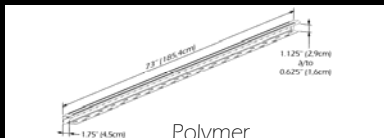
Address: _____

Tel. : _____

Fax: _____

Project name: _____

Required date: _____

	Description		Profile	Total Qty
(A)	Dry Stacked Stone Panel 41.5"x13.13" (105,41 cm x 33,34 cm) 1 pc = 2.5 ft ² (0,23 m ²)	Box = 10pcs		Color: _____ Box
(B)	Two-pieces Stone Corner 5.88"x16" (14,92 cm x 40,64 cm) 1 pc = 1.26 linear feet (0,38 lin. m)	Box = 10 pcs (5 corners)		Color: _____ Box
(C)	Polymer Starter Strip 6' (1,83 m)	Box = 24 pcs		Box
(D)	NovikTrim 1 1.75"x6' (4,45cm x 1,83 m)	Box = 40 pcs Overlap = 1" (2,54 cm)		Color: _____ Box