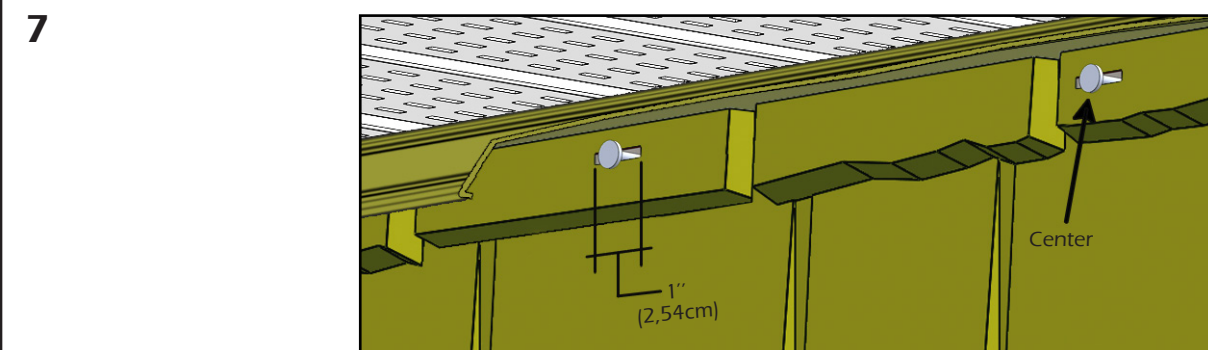
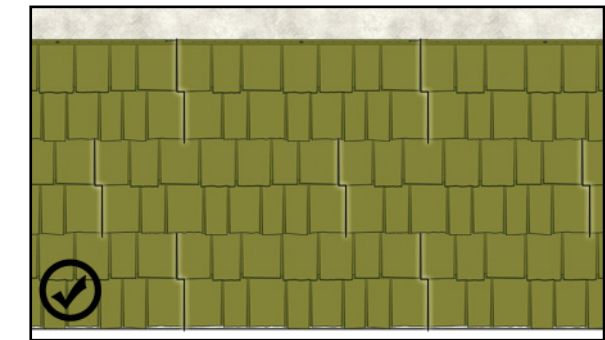
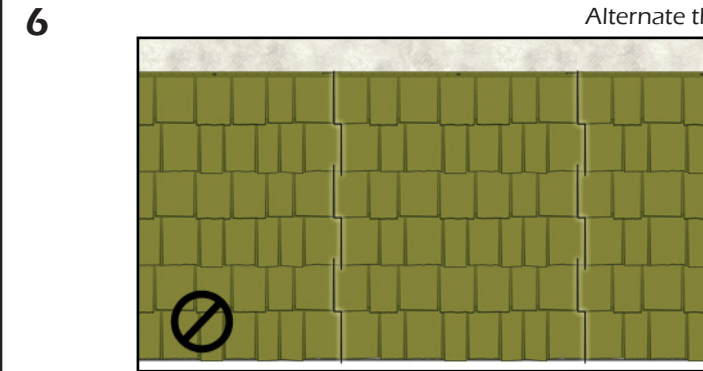
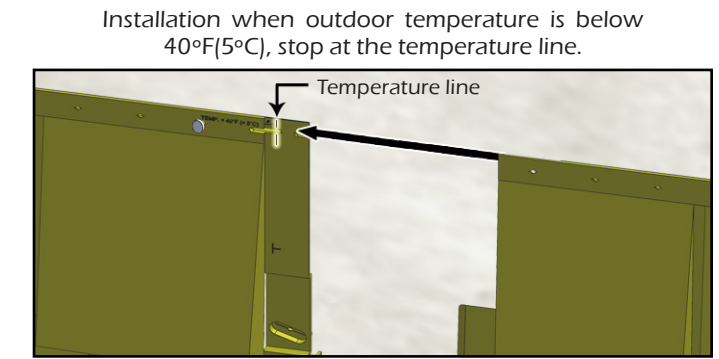
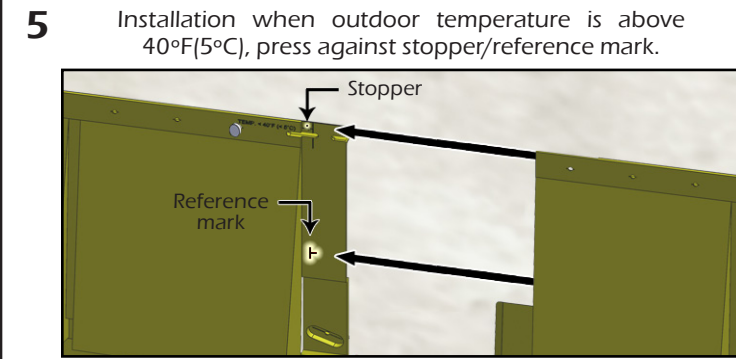
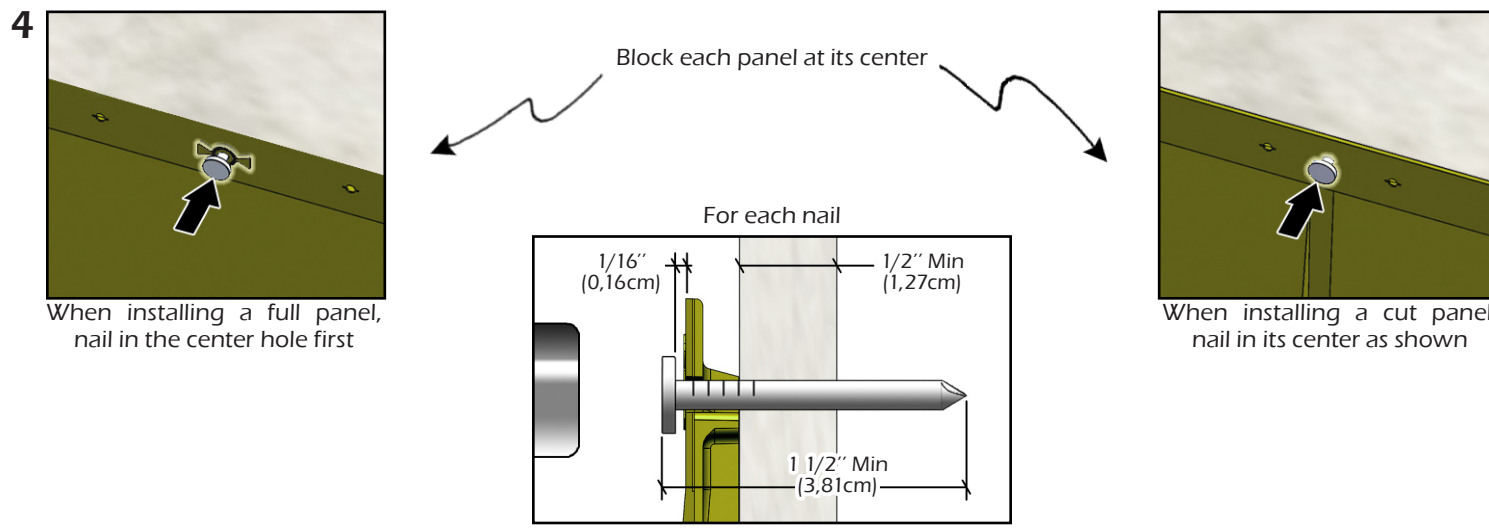
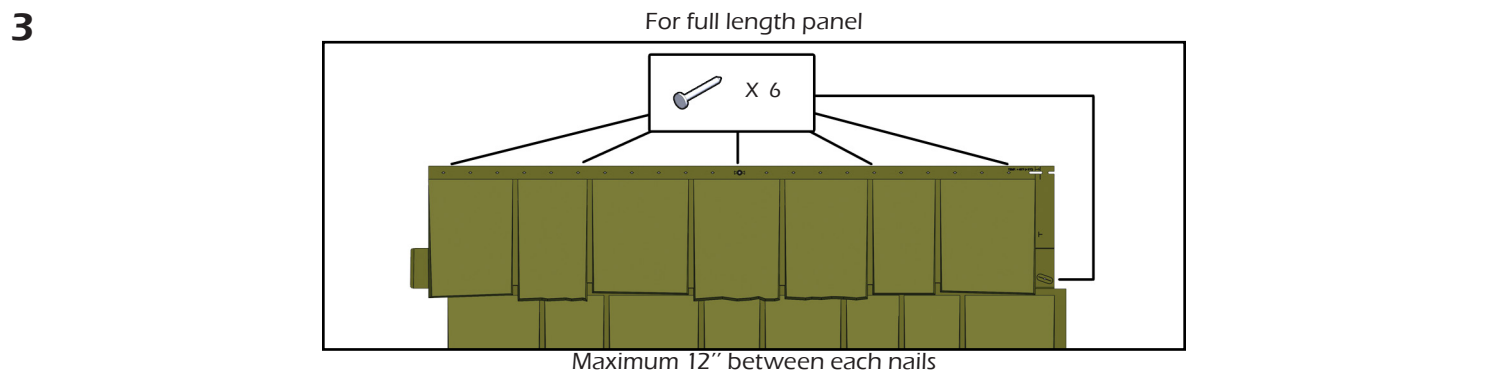
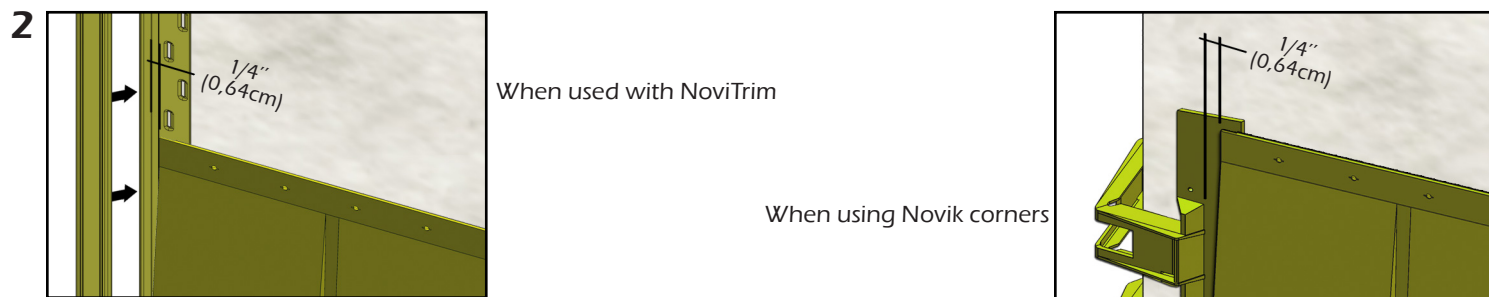
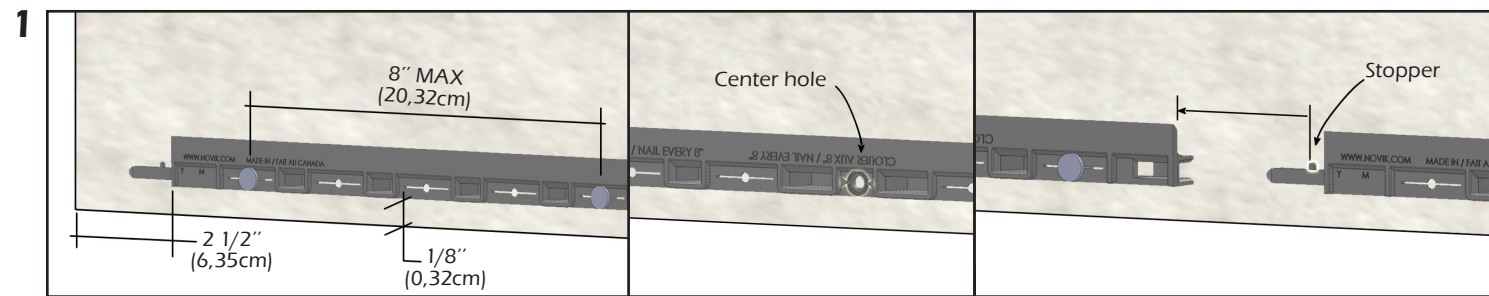


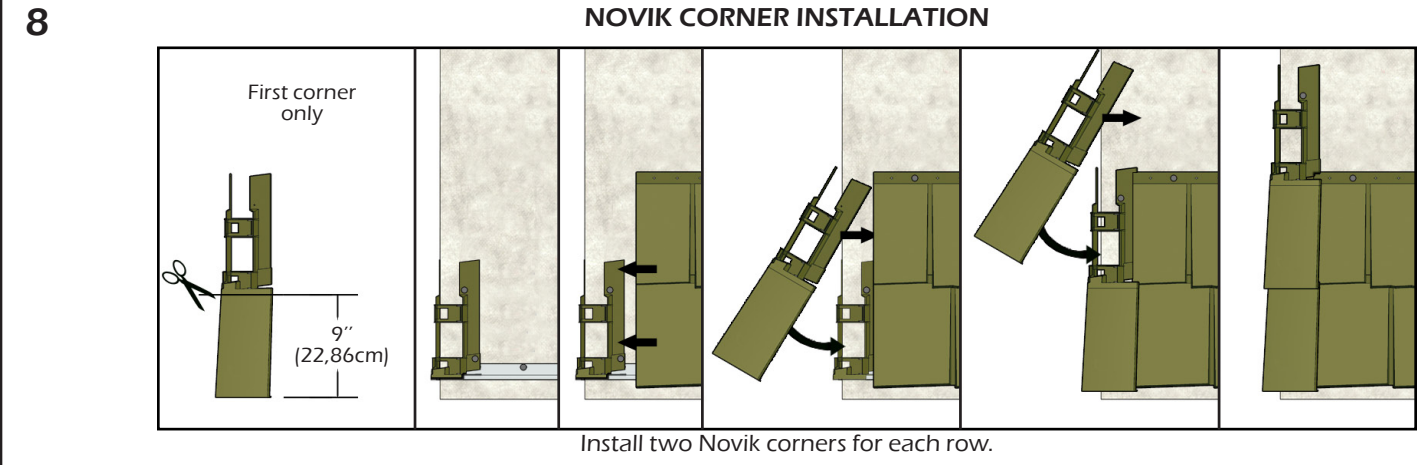
NOVIKSHAKE™ HS - HAND-SPLIT SHAKE SUMMARY INSTALLATION GUIDE

CAUTION: ALWAYS INSTALL PRODUCT FROM LEFT TO RIGHT AND REMEMBER THAT POLYMER UNDERGOES EXPANSION/CONTRACTION DUE TO TEMPERATURE VARIATIONS.

FRANÇAIS
AU VERSO



If you need to attach the siding in an area other than the installation hole, create a 1" (2,54 cm) long slot to allow nailing. Always nail in the middle of the slot.



NOVIKSHAKE^{MC} HS - BARDEAU RUSTIQUE

GUIDE D'INSTALLATION SOMMAIRE

ATTENTION: TOUJOURS INSTALLER LE PRODUIT DE LA GAUCHE VERS LA DROITE ET NE JAMAIS OUBLIER QUE LES POLYMÈRES SUBISSENT DE L'EXPANSION/CONTRACTION DUES AUX VARIATIONS DE TEMPÉRATURE.

