

Estimating sheet

Contact: _____

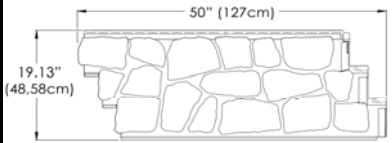
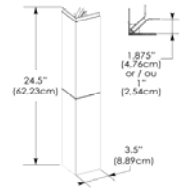
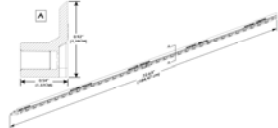
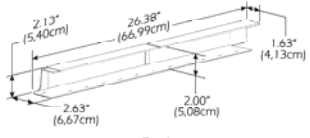
Address: _____

Tel. : _____

Fax: _____

Project name: _____

Required date: _____

	Description		Profile	Total Qty
(A)	Fieldstone Panel 50"x19.13" (127 cm x 48,58 cm) 1 pc = 4.96 ft ² (0,46 m ²)	Box = 10 pcs		Color: _____ Box
(B)	3" Corner- Large base 3.5" x 24.5" (8,89 cm x 62,23 cm) 1 pc=2 lin. ft. (0,61 lin. m)	Box = 5 pcs		Color: _____ Box
(C)	Polymer Starter Strip 6' (1,83 m)	Box = 24 pcs		Box
(D)	One Piece Trim 2" 2.63" x 26.38" (6,67 cm x 0,61 m)	Box = 24 pcs Overlap = 7/16" (1,1 cm)	 Polymer	Color: _____ Box