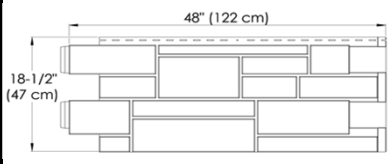
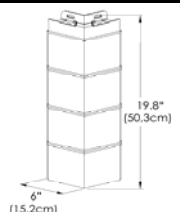
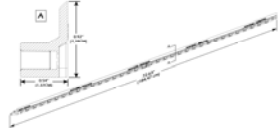



Estimating sheet

Contact: _____
 Address: _____

 Tel.: _____
 Fax: _____
 Project name: _____
 Required date: _____

	Description		Profile	Total Qty
(A)	Hand-Cut Stone Panel 18,5"x48" (122 cm x 47 cm) 1 pc = 5.11 ft ² (0,47 m ²)	Box = 9 pcs		Color: _____ Box
(B)	Hand-Cut Stone Corner 6"x19.8" (15,2 cm x 50,3 cm) 1 pc = 1.47 linear feet (0,45 lin.m)	Box = 5 pcs		Color: _____ Box
(C)	Polymer Starter Strip 6' (3,05 m)	Box = 24 pcs		Box
(D)	NovikTrim1 1.25'x6' (3,18 cm x 1,8 m)	Box = 40 pcs Overlap = 1" (2,54 cm)		Color: _____ Box