

Estimating sheet


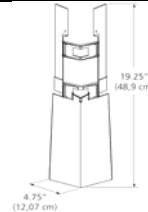
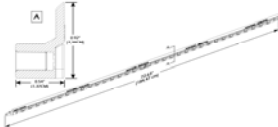
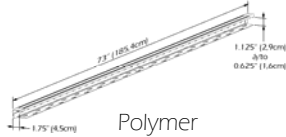
Contact: _____

Address: _____

Tel. : _____
 Fax: _____

Project name: _____

Required date: _____

	Description		Profile	Total Qty
(A)	Hand-Split Shake Panel 48,38"x18.75" (122,87 cm x 47,63 cm) 1 pc = 5.48 ft ² (0,5 m ²)	Box = 9 pcs		Color: _____ Box
(B)	Hand-Split Shake Corner 4.75"x19.25" (12,07 cm x 48,9 cm) 1 pc = 0.77 linear feet (0,23 lin. m)	Box = 5 pcs		Color: _____ Box
(C)	Polymer Starter Strip 6' (1,83 m)	Box = 24 pcs		Box
(D)	NovikTrim 1 1.75'x6' (4,45 cm x 1,83 m)	Box = 40 pcs Overlap = 1" (2,54 cm)		Color: _____ Box