

Estimating sheet

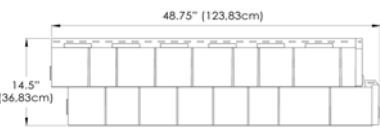
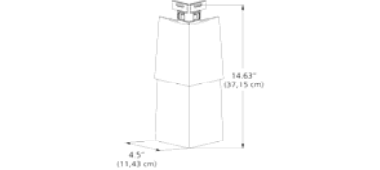
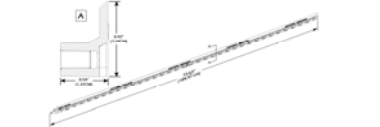
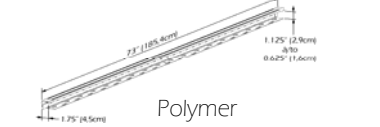
Contact: _____

Address: _____

Tel.: _____
 Fax: _____

Project name: _____

Required date: _____

(A)	Rough Sawn Shake Panel 48.75"x14.5" (123,83 cm x 36,83 cm) 1 pc = 4.07 ft ² (0,4 m ²)	Box = 12 pcs		Color: _____ Box
(B)	Rough Sawn Shake Corner 4.4"x14.7" (11,2 cm x 37 cm) 1 pc = 1.04 linear feet (0,32 lin.m)	Box = 5 pcs		Color: _____ Box
(C)	Polymer Starter Strip 6' (1,83 m)	Box = 24 pcs		Box
(D)	NovikTrim1 1.75"x6' (4,45 cm x 1,83 m)	Box = 40 pcs Overlap = 1" (2,54 cm)	 <p>Polymer</p>	Color: _____