

Estimating sheet

Contact: _____

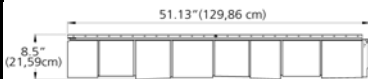
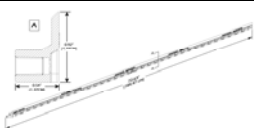

Address: _____

Tel. : _____

Fax: _____

Project name: _____

Required date: _____

	Description		Profile	Total Qty
(A)	Staggered Edge Shake Panel 51.13"x 8,5" (129,86 cm x 21,59 cm) 1 pc = 2.17 ft ² (0,2 m ²)	Box = 23 pcs		Color: _____ Box
(B)	Polymer Starter Strip 6' (1,83 m)	Box = 24 pcs		Box
(C)	NovikTrim I 1.75"x6' (4,45 cm x 1,83 m)	Box = 40 pcs Overlap = 1" (2,54 cm)	 Polymer	Color: _____ Box