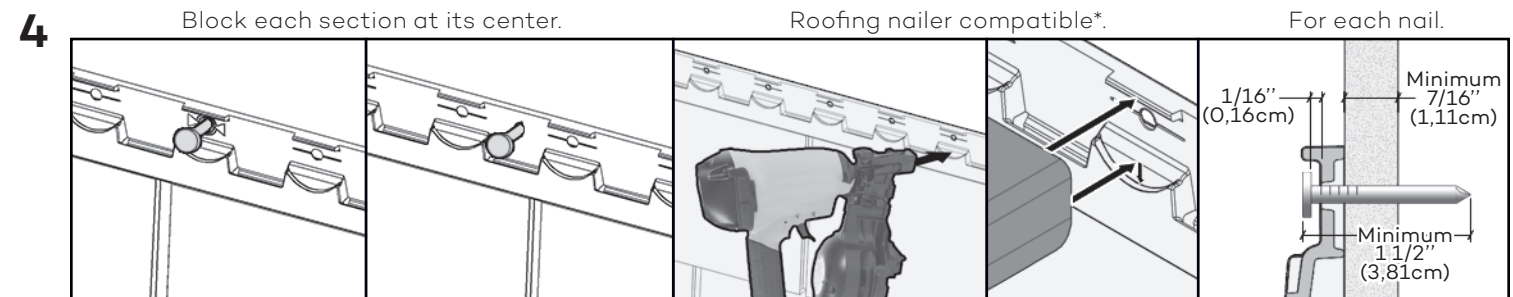
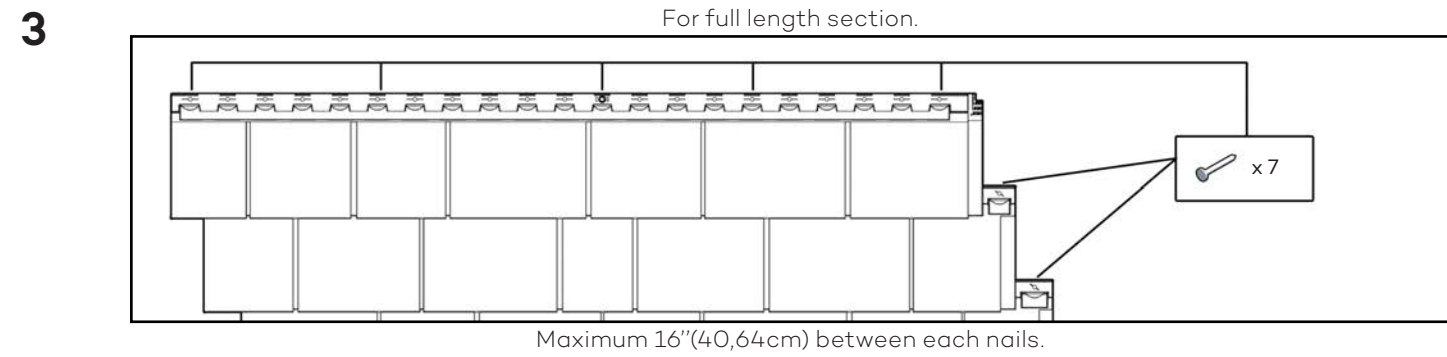
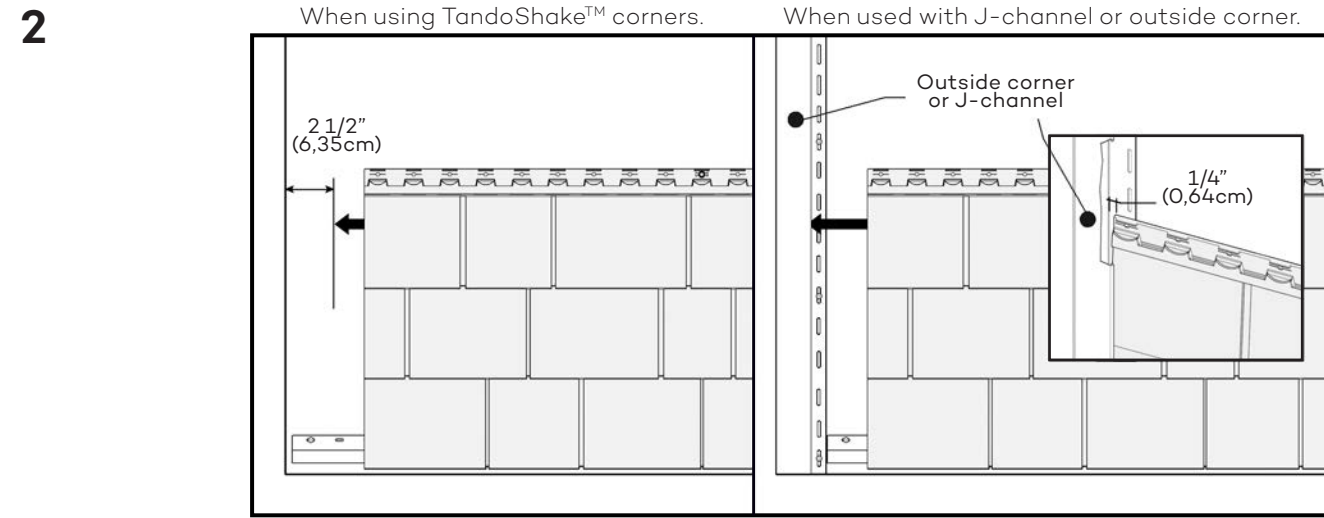
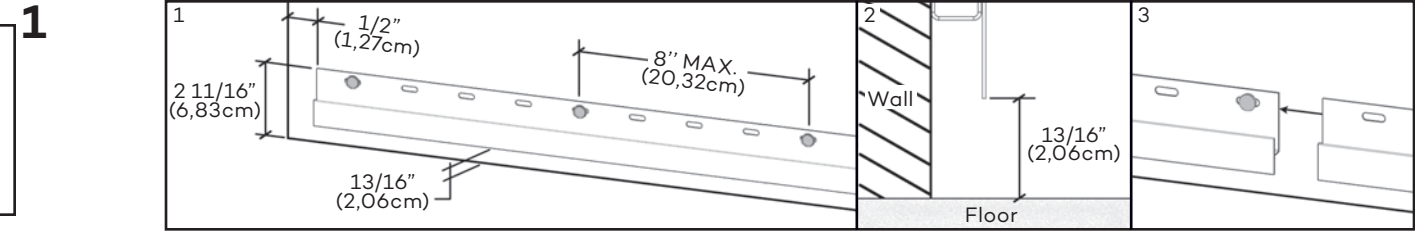


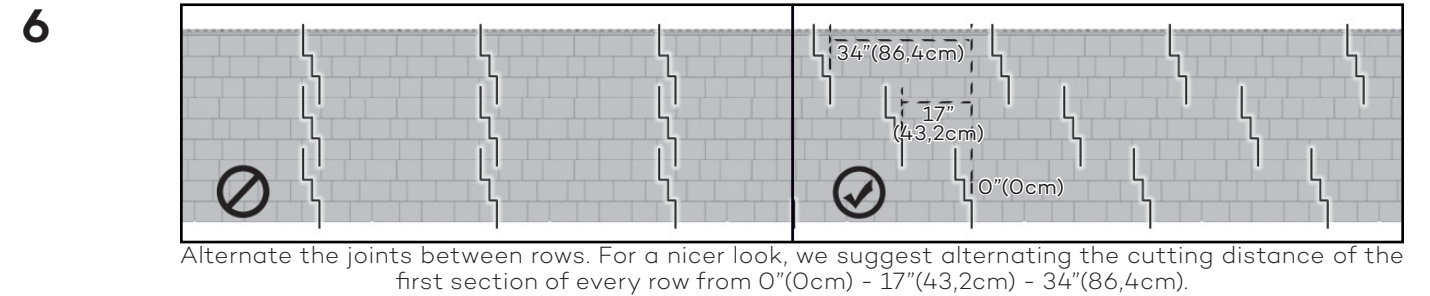
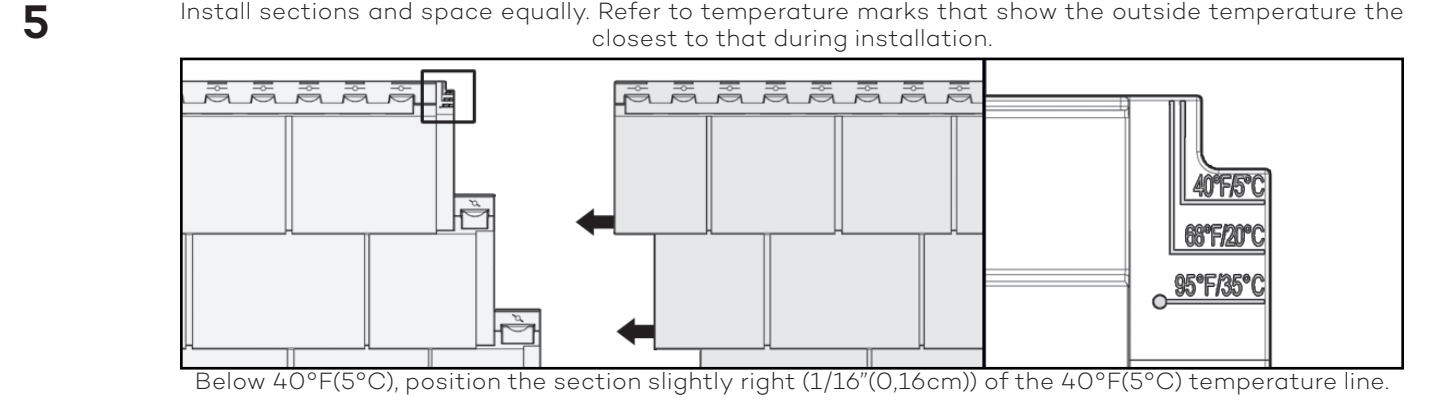
**CAUTION: ALWAYS INSTALL PRODUCT FROM LEFT TO RIGHT AND REMEMBER THAT POLYMER UNDERGOES EXPANSION/CONTRACTION DUE TO TEMPERATURE VARIATIONS. FOR A BETTER LOOK WE RECOMMEND TO INSTALL PRODUCT ON FLAT SURFACES (EX: PLYWOOD PANELS OR OSB PANELS). IF SECTIONS ARE INSTALLED ON A WALL WITH FURRINGS, FURRING STRIPS MUST BE INSTALLED OBLIQUELY AND SPACED BY 8" (20,32CM).**

FRANÇAIS  
AU VERSO

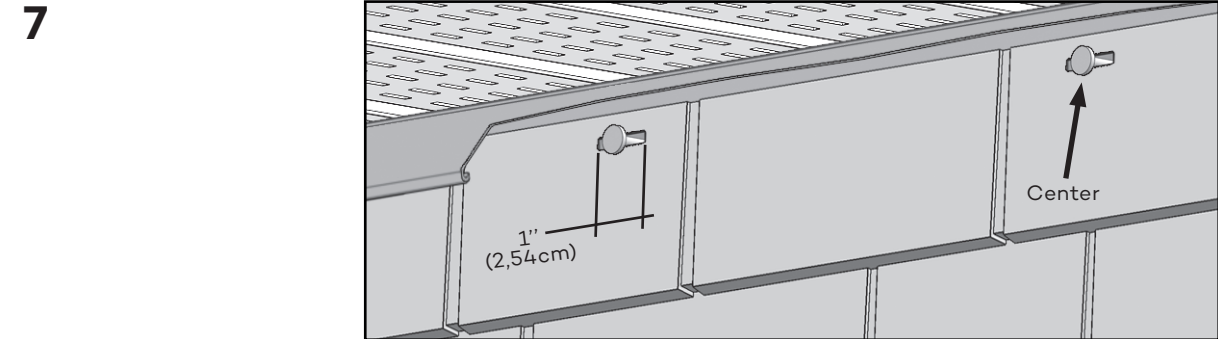


When installing a full section, nail in the center section, nail in its center hole first.      When installing a cut section, nail in its center first.      For each nail, leave a gap between nail head and section. When using a roofing nailer, adjust its tip at the highest position and the air pressure according to the substrate in order to leave the required gap.

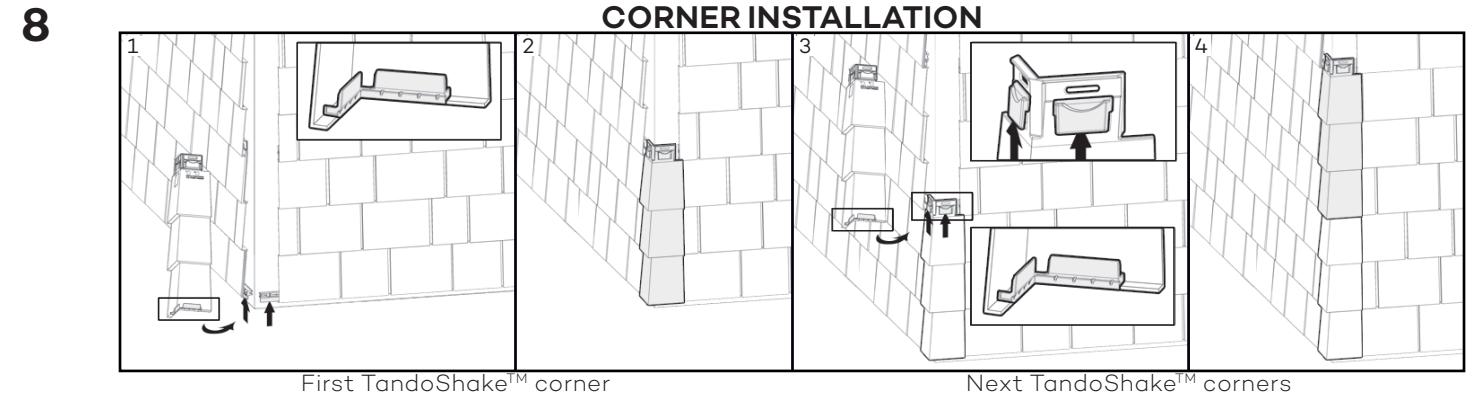
\* Roofing nailer as Bostitch RN46 and Hitachi NV45.



Alternate the joints between rows. For a nicer look, we suggest alternating the cutting distance of the first section of every row from 0" (0cm) - 17" (43,2cm) - 34" (86,4cm).



If you need to attach the section in an area other than the installation hole, create a 1" (2,54 cm) long slot to allow nailing. Always nail in the middle of the slot.

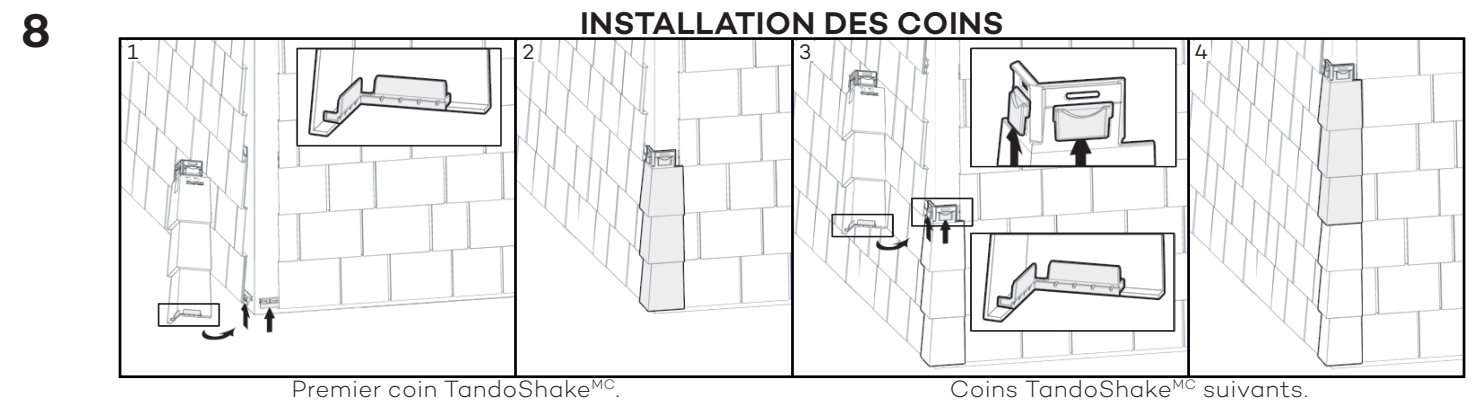
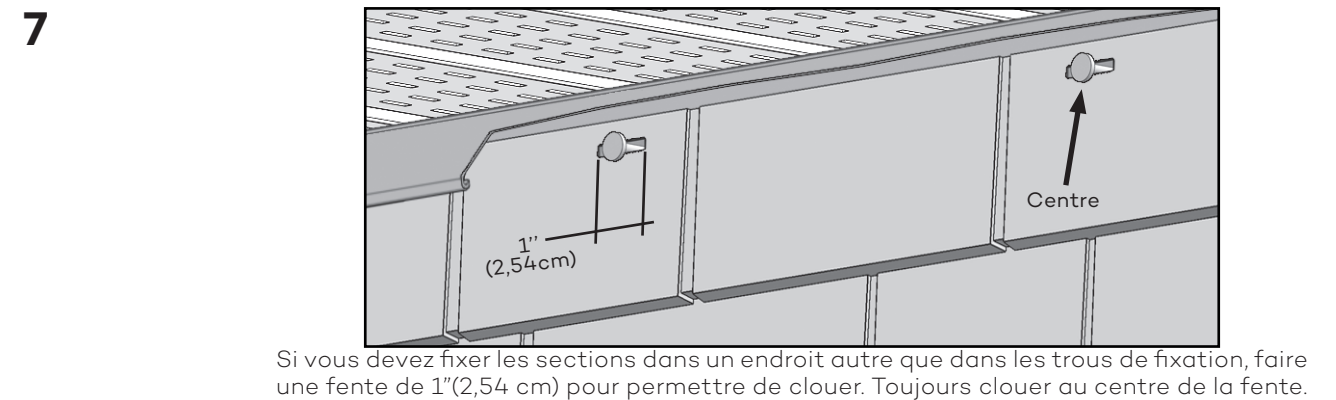
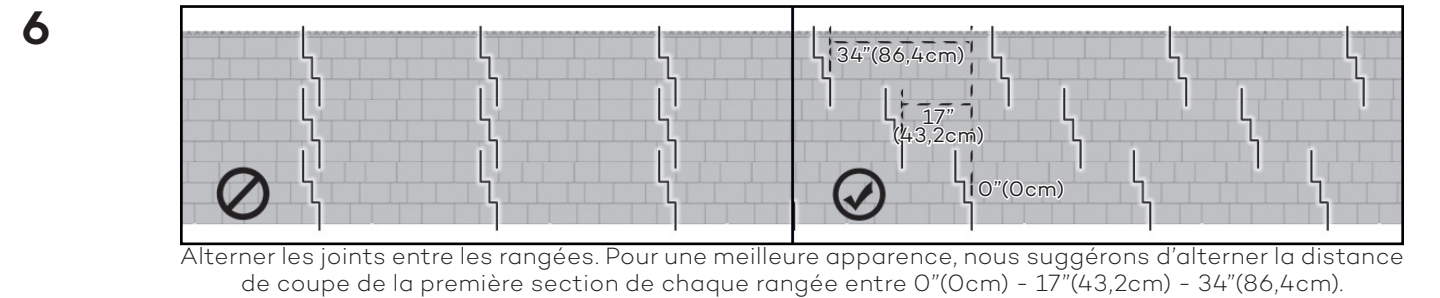
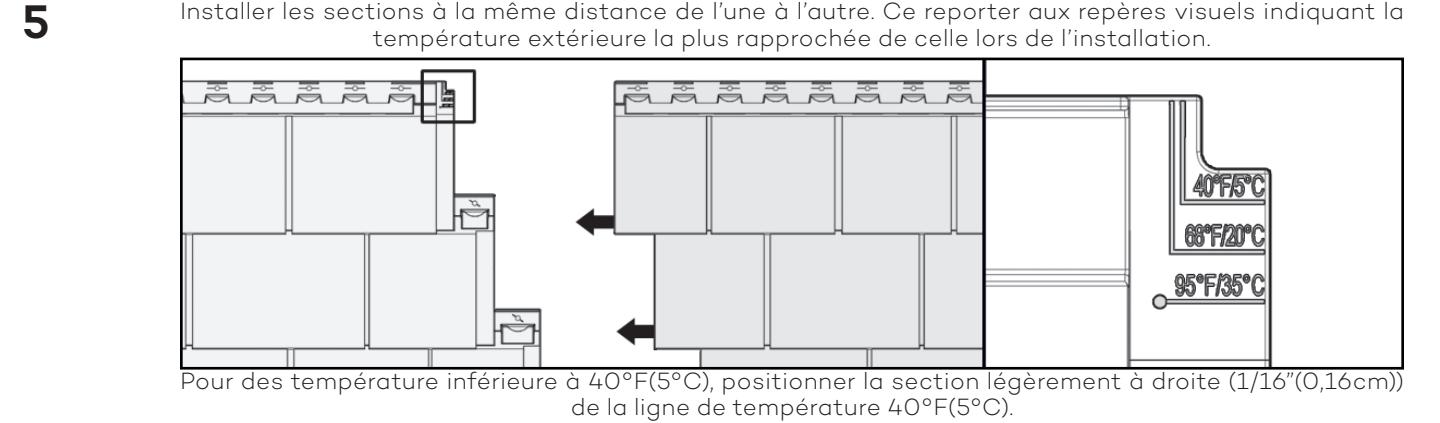
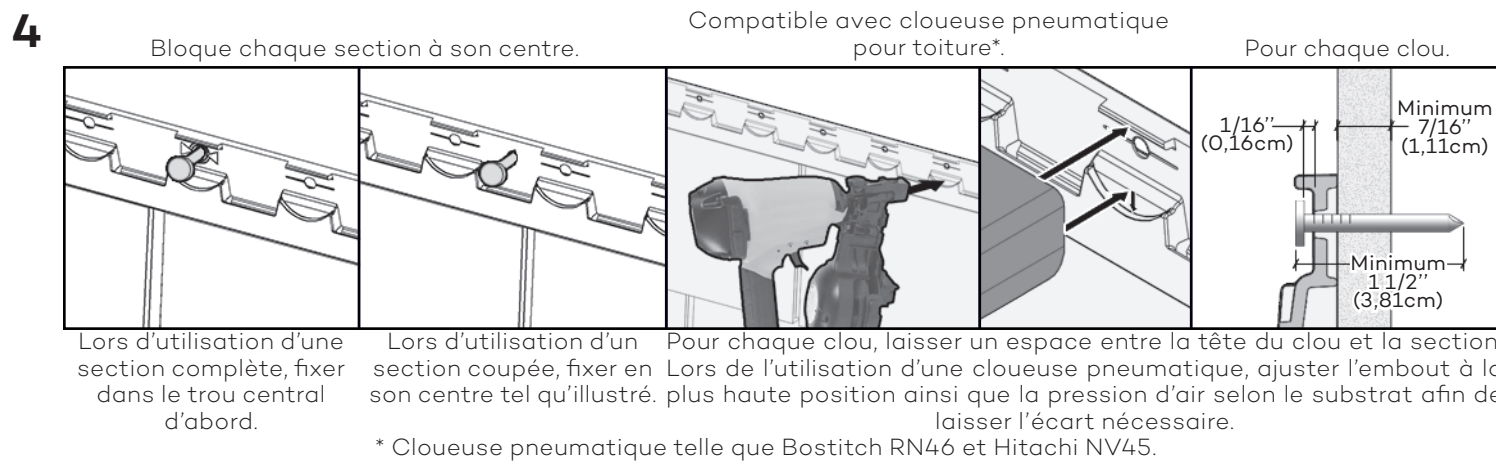
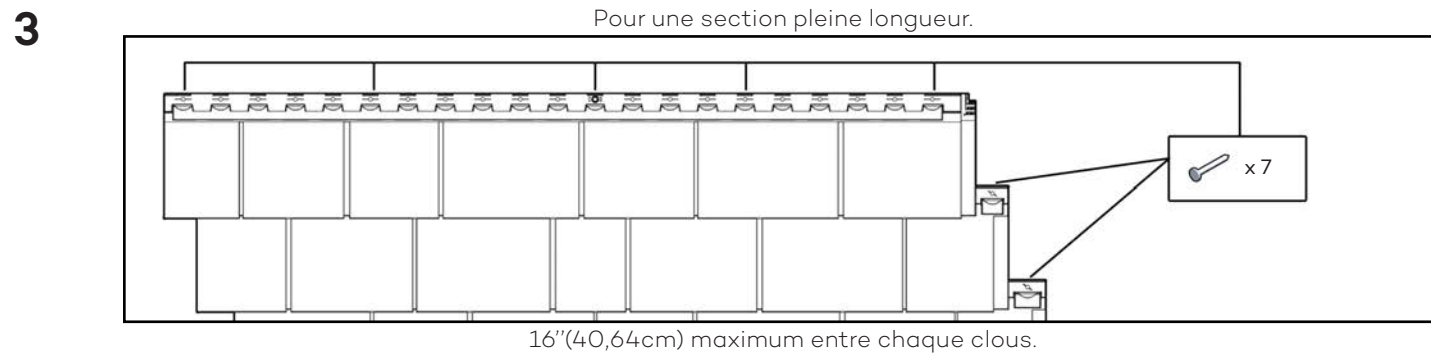
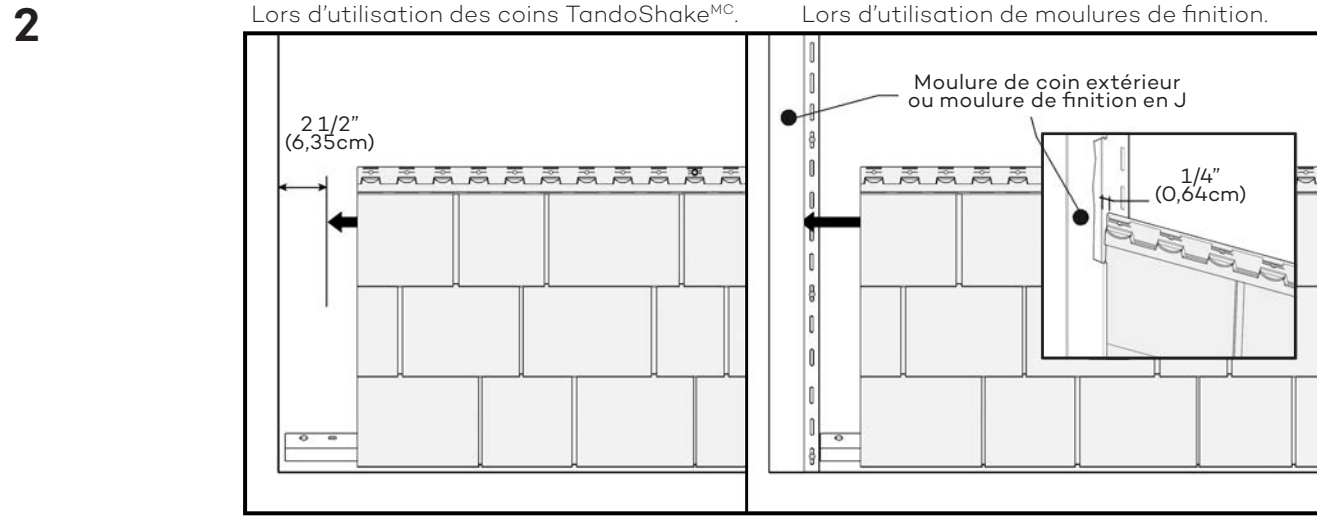
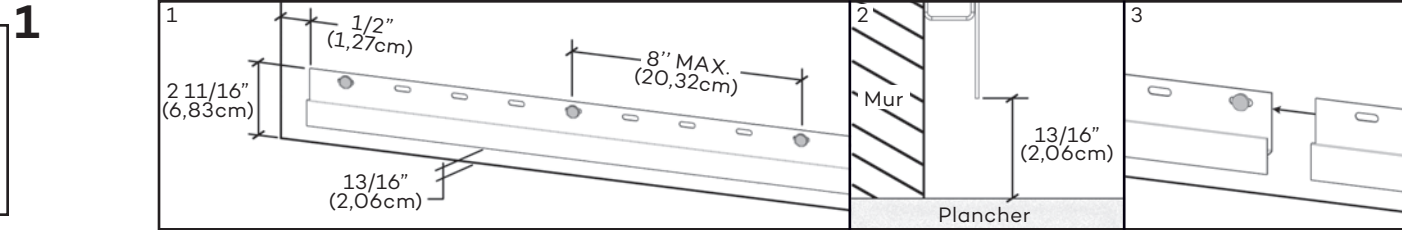


First TandoShake™ corner

Next TandoShake™ corners

**ATTENTION: TOUJOURS INSTALLER LE PRODUIT DE LA GAUCHE VERS LA DROITE ET NE JAMAIS OUBLIER QUE LES POLYMÈRES SUBISSENT DE L'EXPANSION/CONTRACTION DUES AUX VARIATIONS DE TEMPÉRATURE. POUR UNE MEILLEURE APPARENCE, NOUS RECOMMANDONS D'INSTALLER LE PRODUIT SUR DES SURFACES PLANES (EX: PANNEAUX DE CONTRE-PLAQUÉ OU OSB). SI INSTALLER SUR UN MUR LATTÉ, INSTALLER LES LATTES À L'OBLIQUE ET AUX 8" (20,32CM).**

ENGLISH ON REVERSE



Pour le guide d'installation complet, voir [www.tandobp.com](http://www.tandobp.com).