

# WALLPOD:EV

## HOMESMART EV

Type 2, Mode 3 Charging Socket  
3.6kW Or 7.2kW

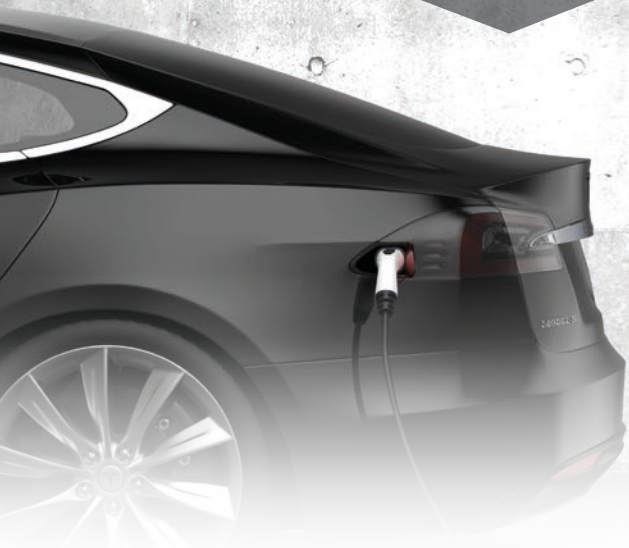
# ROLEC

EV

MANUFACTURED IN THE UK



in partnership with



The WallPod:EV HomeSmart is a smart charging unit which has been designed to provide the user with a simple, mobile phone interactive EV charging solution for the home.

The EV driver can control the charging activity of their WallPod:EV HomeSmart unit using their mobile phone, as well as allowing them to monitor / record all their charging activity, data and history.

Available with a Type 2, Mode 3 charging socket offering either 3.6kW (16amp) or 7.2kW (32amp) charging speeds.



Unit shown: WALLPOD:EV  
HOMESMART EV  
Type 2, Mode 3 Charging Socket

## PRODUCT FEATURES

- Smart charging (see smart features)
- IEC 61851-1 Mode 3 fast charging
- IEC 62196 (Type 2) charging socket
- Charging speeds - 3.6kW (16A) & 7.2kW (32A)
- Supplied with external overload and fault current protection (Type A RCBO)
- Built-in DC sensitive protective device
- Built-in LED charging status indicator
- Built-in Class 1 MID compliant kWh meter
- Built-in Modem and roaming sim
- Built-in GPRS communication antenna
- OLEV Grant Fundable under the Electric Vehicle Homecharge Scheme
- Certificated by the BSI as safe to use in the domestic environment
- IP65 Weatherproof & UV Stabilised
- Corrosion resistant, fire retardant & impact resistant design
- CE certified
- OCPP compatible

## SMART FEATURES:

- Live Charging Activity
  - Charging status
  - Stop / start charging
  - Smart & boost charging
  - Charging notifications
- Charging History
  - Total energy used
  - Historical data
  - CO2 savings
- Advanced Settings
  - Off-peak optimisation
  - Green charging
  - Grid services
  - Fleet management



GPRS  
Connectivity



Grant  
Fundable



Mobile App Controlled  
SMART Charging



Colour Options  
Available



Safety in the  
Home Certified

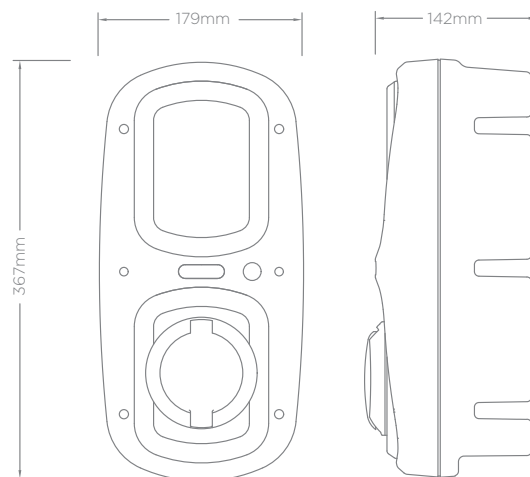


Flame  
Retardant

# SPECIFICATIONS

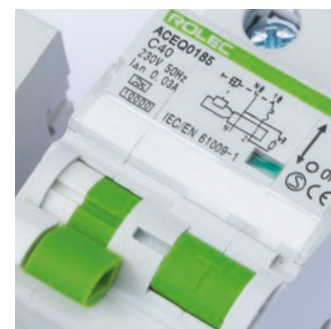
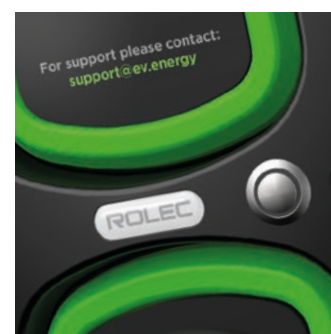
## PHYSICAL

Dimensions	214mm x 367mm x 142mm (W x H x D)
Standard Base Colour	Black (Other colours available upon request)
Standard Pod Colour	Green (Other colours available upon request)
Unit Material	Polycarbonate (303 EP-22)
Operating Temperature	-30°C to +50°C
Certifications & Compliances	BSI Certified - BS EN 60335-1 Wiring Regulations - BS 7671 (18th Edition) IET EV Regulations, Glow Wire Testing - IEC 60695-2-13 EMC Compliance - EN 61000-6-3:2007, EN 61000-6-2:2005 Safety Compliance - EN 60950-1:2006, EN 60950-22:2006, Low Voltage Directive (LVD) 2014/35/EU Environmental Protection - IP65 (Category 1) Weatherproof BS EN 60529, UL94 Flame Rating at V2 for 1.5mm and 3.0mm



## ELECTRICAL

Product Code	EVHS2010	EVHS2020
Charging Socket	IEC 62196 (Type 2)	
Rated Output	3.6kW	7.2kW
Rated Current	16A	32A
Charge Protocol	Mode 3	
EV Charging Compliance	EN 61851-1:2001, EN 61851-21:2002, EN 61851-22:2002	
Input Voltage	230V AC/50Hz (Single Phase)	
Overload & Fault Current Protection	External 20A, 30mA Type A RCBO & Built-in 6mA DC Sensitive Device	External 40A, 30mA Type A RCBO & Built-in 6mA DC Sensitive Device
Incoming Cable Terminals	3 x 16mm	
Wireless Communications	GPRS Cellular Data Network Radio Equipment Directive	



## HOMESMART EV

- Built-in modem and high gain GPRS signal antenna
- GPRS communication and Back Office connectivity
- Built-in roaming Sim card connects directly to the strongest signal
- ev.energy Back Office management
- OCPP compatible
- Smart charging control via the ev.energy smartphone app



## OPTIONS & ACCESSORIES

- Corporate branding (colours, logo badge, etc.)
- EV charging cables (Type 1 to Type 2 or Type 2 to Type 2)



Images are for marketing purposes only and are not contractual © 2019



Head office contact:  
t: +44 (0) 1205 724754  
f: +44 (0) 1205 724876  
rolec@rolecserv.co.uk

Rolec Services Ltd  
Ralphs Lane, Frampton West  
Boston, Lincolnshire  
UK. PE20 1QU

EVWPHSSD-01  
@RolecEV  
www.rolecserv.com