

SMARTFLOOR

Expert / Jumpy 2016 LE2

PP Side Panels

Installation Manual



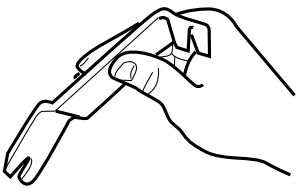
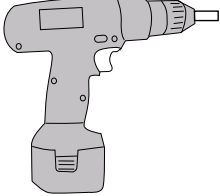


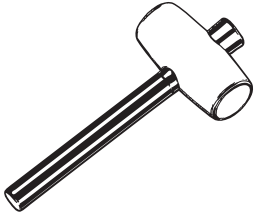
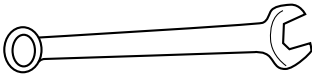
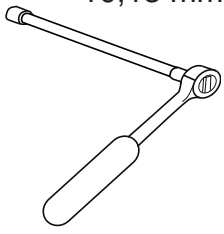



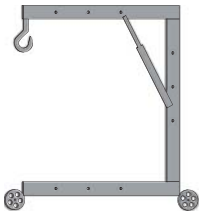



Revision Record

Rev nr	Date	Page	Picture	Update	New	Deleted steps
01	11.12.18			Floor Assy Rev		
02	17.09.19			Added set for L1 2SLD		

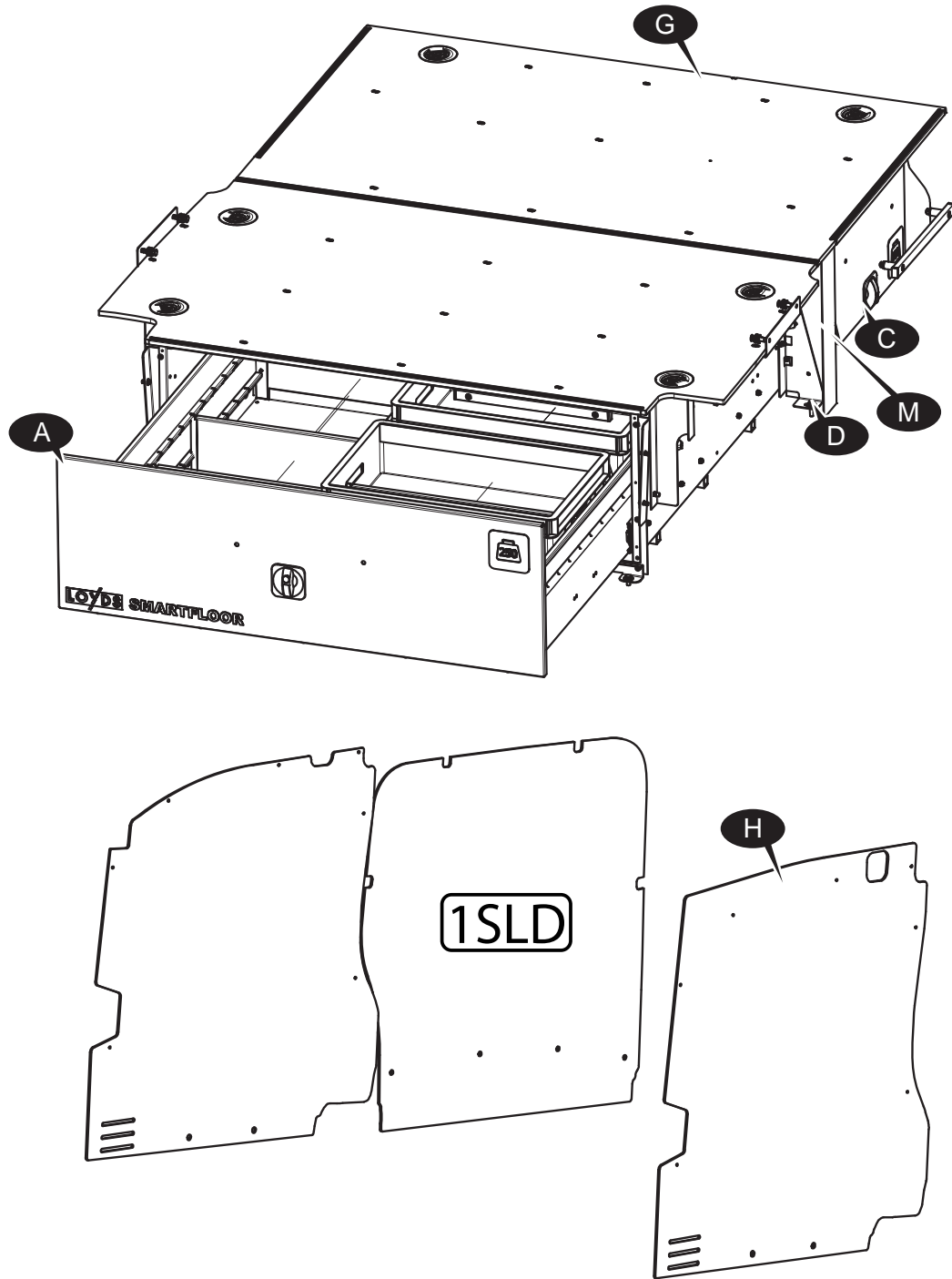
Recommended torque for screws:

4,2mm Selfdrilling: 3,6 NM
 6mm: 6 NM
 8mm: 10 NM
 10mm: 42 NM

Tools

		M5  	
10,13 mm 	10,13 mm 	Torx Bits TX 20 TX 25 TX 30 TX 40  	
			

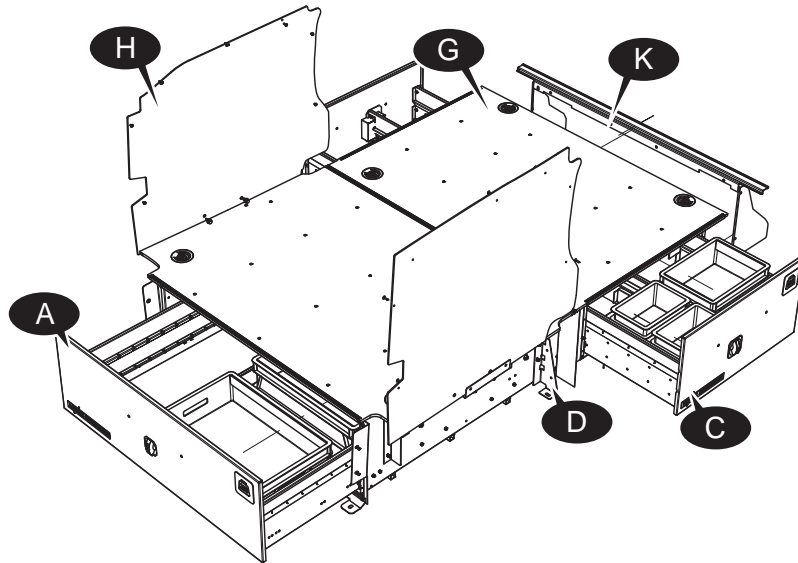
15017938 Kit Complete SF Expert L1 (PrL0) Lafi Plastic Sep L2 2SLD PEJ 2016



Item	Quantity	Part Number	Description
A	1	15009300	RD Rear Drawer Complete Assy
C	1	15010862	FD2 Front Drawer 400-600 Complete Assy
D	1	15013181	Steel Bracket Set L0 PEJ 2016
G	1	15017937	Floor Set SF Expert L1 (PrL0) Lafi Plastic Sep 2SLD PEJ 2016
H	1	15015226	Side Panel Set PP L0 PEJ
M	1	15017984	Cover Slide Door Left Rear PEJ L0 2SLD ASSY

15013433 Kit Complete Lafi-sep L2 2SLD PEJ 2016

L2

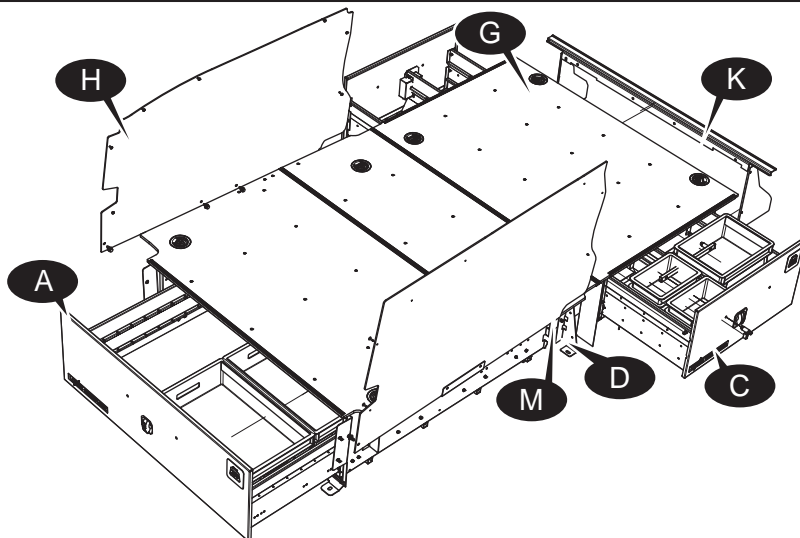


15013433 Kit Complete Lafi-sep L2 2SLD PEJ 2016

Item	Quantity	Part Number	Description
A	1	15009300	RD Rear Drawer Complete Assy
C	1	15013207	FD2 Drawer W800 600 Main Assy
D	1	15011921	Steel Bracket Set L1 PEJ 2016
G	1	15013209	Floor Kit Loyds-sep L1 2SLD PEJ 2016
H	1	15015224	Side Panel Set PP L1 PEJ 2016
K	1	15012660	Additional Kit Lafi Sep PEJ 2016

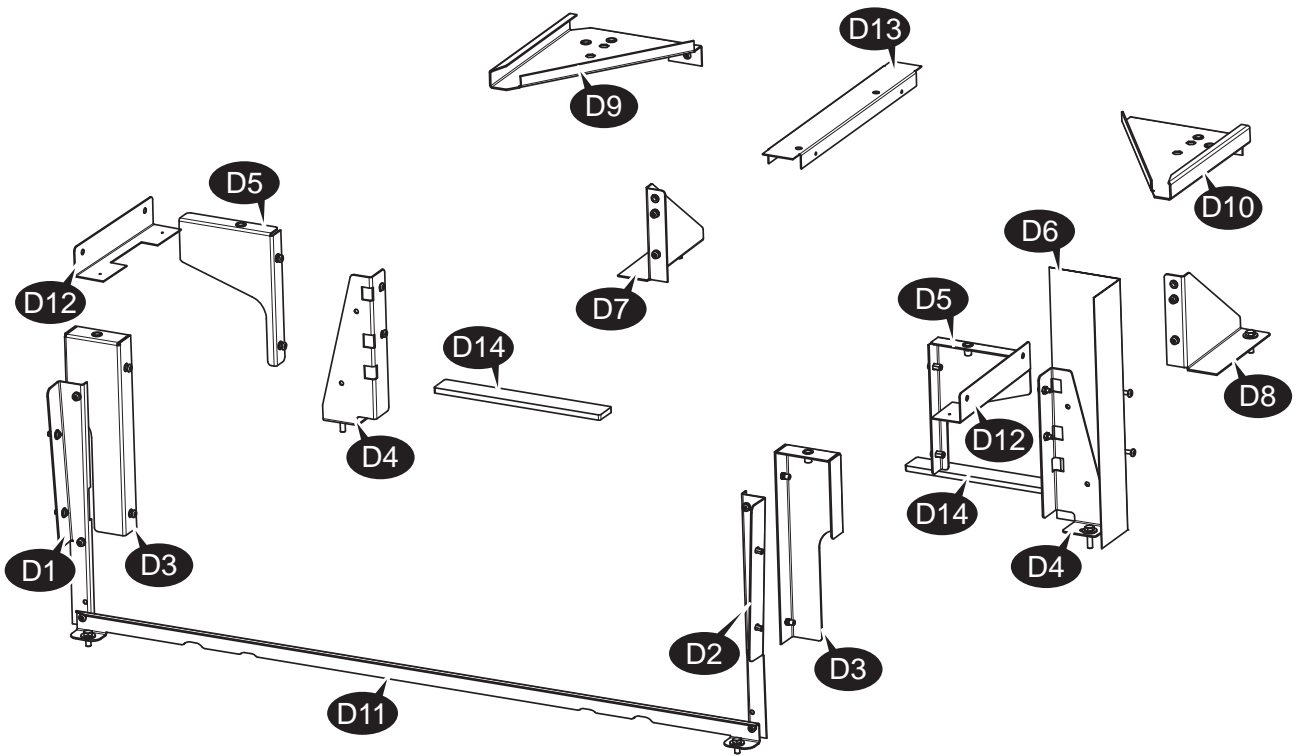
15013431 Kit Complete Lafi Sep L3 2SLD PEJ 2016

L3



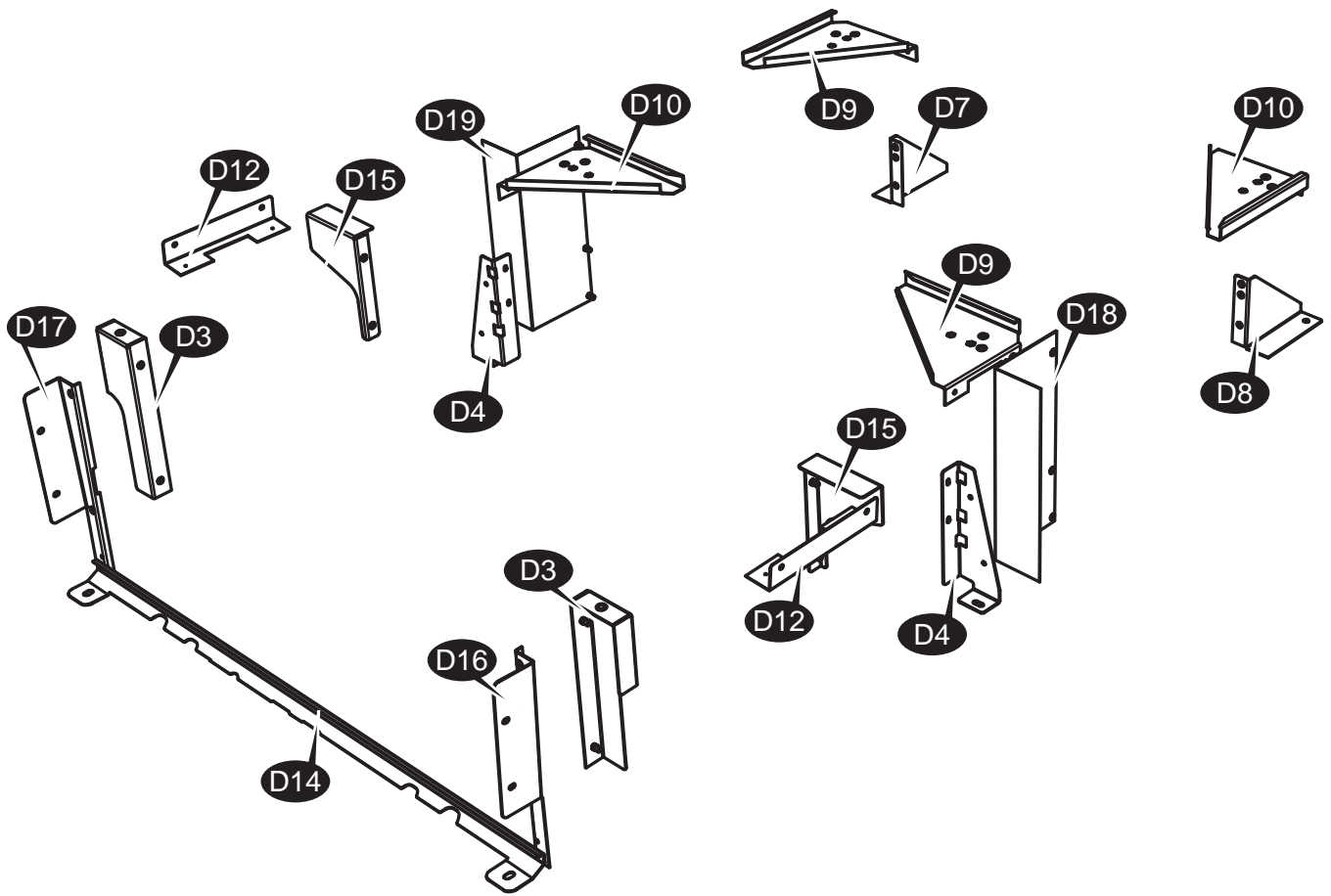
15013431 Kit Complete Lafi Sep L3 2SLD PEJ 2016

Item	Quantity	Part Number	Description
A	1	15009300	RD Rear Drawer Complete Assy
C	1	15013207	FD2 Drawer W800 600 Main Assy
D	1	15011921	Steel Bracket Set L1 PEJ 2016
G	1	15013404	Floor Kit L2 2SLD PEJ 2016
H	1	15015225	Side Panel Set SF PP L2 PEJ 2016
K	1	15012660	Additional Kit Lafi Sep PEJ 2016
M	1	15013410	Addit Steelbracket Set for L2 PEJ 2016



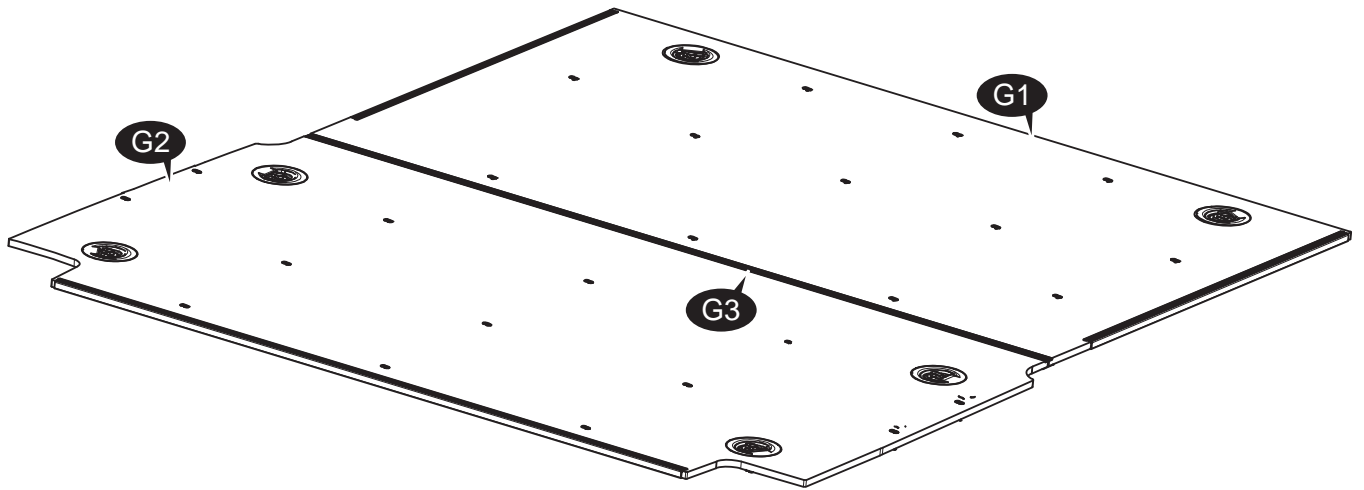
Item	Quantity	Part Number	Description
D1	1	15013185	Bracket Rear Left L0 PEJ 2016 ASSY
D2	1	15013187	Bracket Rear Right L0 PEJ 2016 ASSY
D3	2	15011913	Bracket Cargo Latch Rear ASSY PEJ 2016
D4	2	15011894	Bracket Floor Middle PEJ 2016
D5	2	15013166	Bracket Middle w Latch Flexi ASSY
D6	1	15013397	Cover Slide Door Right Rear L0 PEJ 2016
D7	1	15011911	Front Bracket Left ASSY PEJ 2016
D8	1	15011912	Front Bracket Right ASSY PEJ 2016
D9	1	15011032	Bracket Latchcup M8 Multi Left ASSY
D10	1	15011031	Bracket Latchcup M8 Multi Right ASSY
D11	1	15013193	Cover Angle Rear Lower L0 PEJ 2016
D12	2	15011908	Side Panel Bracket Rear
D13	1	15011276	Profile Connection Front Floors 400
D14	2	05-99626	Avstandskloss 300x40x9
	1	15013182	Fitting Kit Steel Bracket Set L0 PEJ 2016

15011921 Steel Bracket Set L1 PEJ 2016



15011921 Steel Bracket Set L1 PEJ 2016

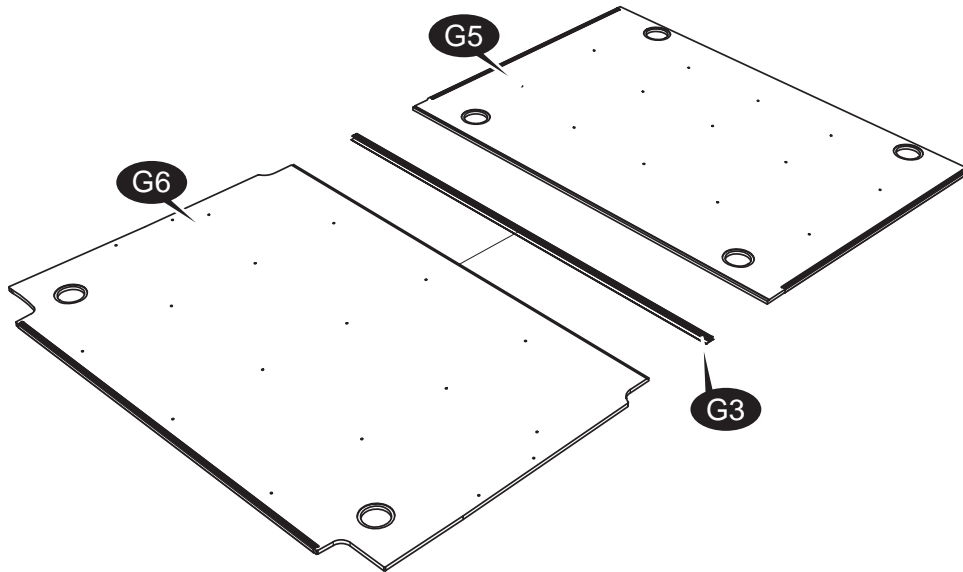
Item	Quantity	Part Number	Description
D3	2	15011913	Bracket Cargo Latch Rear ASSY PEJ 2016
D4	2	15011894	Bracket Floor Middle PEJ 2016
D7	1	15011911	Front Bracket Left ASSY PEJ 2016
D8	1	15011912	Front Bracket Right ASSY PEJ 2016
D9	1	15011032	Bracket Latchcup M8 Multi Left ASSY
D10	1	15011031	Bracket Latchcup M8 Multi Right ASSY
D12	1	15011908	Side Panel Bracket Rear
D14	1	15011893	Cover Angle Rear Lower PEJ 2016
D15	2	15010225	Bracket Stiffener Middle Right T5 w heater ASSY
D16	1	15011910	Bracket Rear Right ASSY PEJ 2016
D17	1	15011909	Bracket Rear Left ASSY PEJ 2016
D18	1	15011915	Cover Slide Door Rear Right ASSY PEJ 2016
D19	1	15011914	Cover Slide Door Rear Left ASSY PEJ 2016



Item	Quantity	Part Number	Description
G1	1	15017936	Front Floor L0 L1 Lafi Plastic Sep 2SLD PEJ 2016 ASSY
G2	1	15013418	Rear Floor L0 PEJ 2016 ASSY
G3	1	15011929	H-profile 12mm L=1476
	1	15015227	Fitting Kit Floor Set PP L0 PEJ 2016

15013209_C Floor Kit Loyds-sep L1 2SLD PEJ 2016

L2

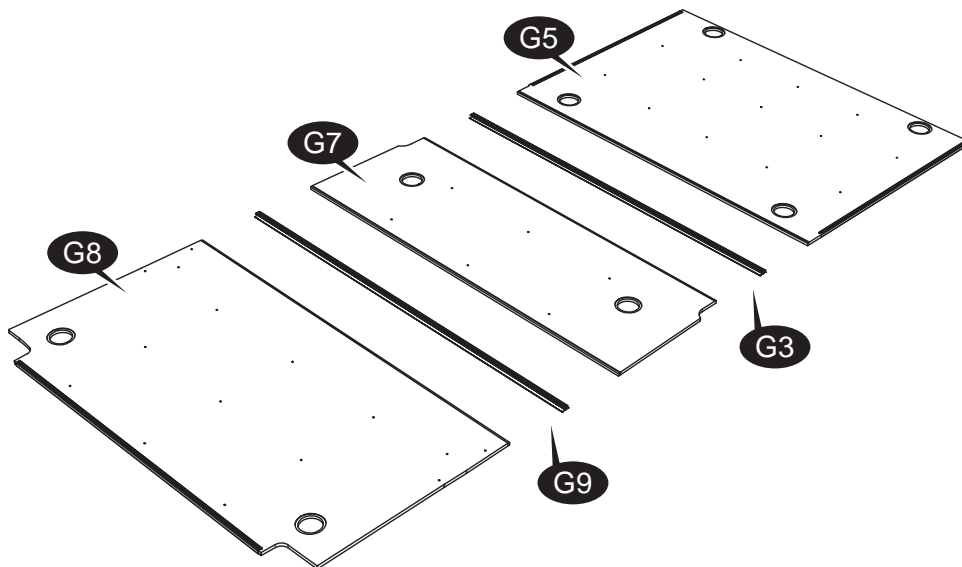


15013209 Floor Kit Loyds-sep L1 2SLD PEJ 2016

Item	Quantity	Part Number	Description
G5	1	15013427	Front Floor L1 L2 PEJ 2016 ASSY
G6	1	15016311	Rear Floor L1 PEJ 2016 ASSY
G3	1	15011929	H-profile 12mm L=1476
	1	15015228	Fitting Kit Floor Set PP L1 2SLD PEJ 2016

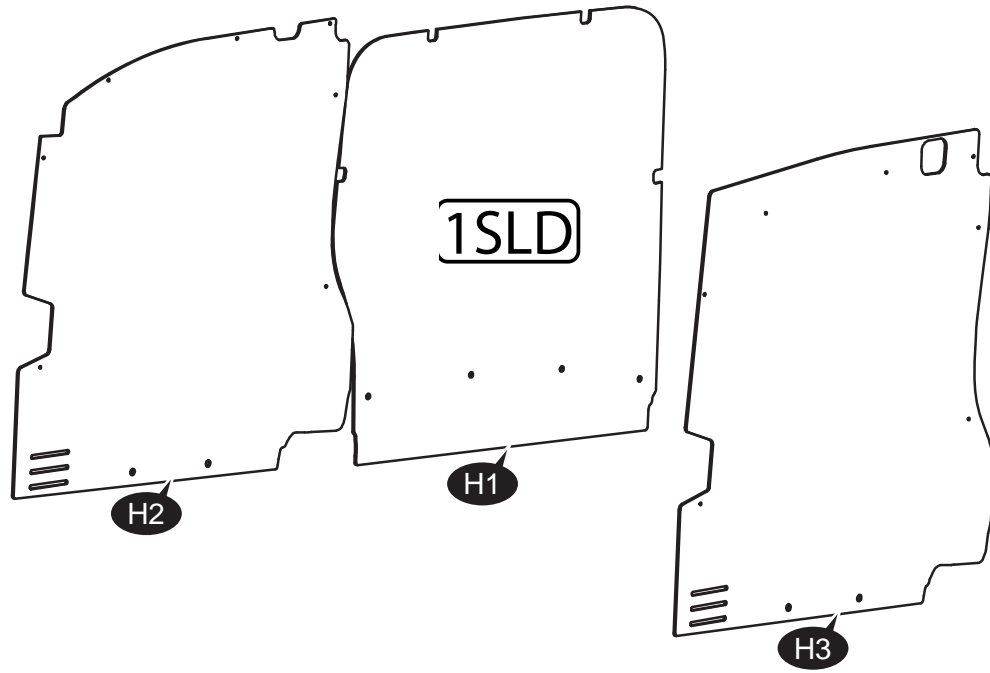
15013404_B Floor Kit L2 2SLD PEJ 2016

L3



15013404 Floor Kit L2 2SLD PEJ 2016

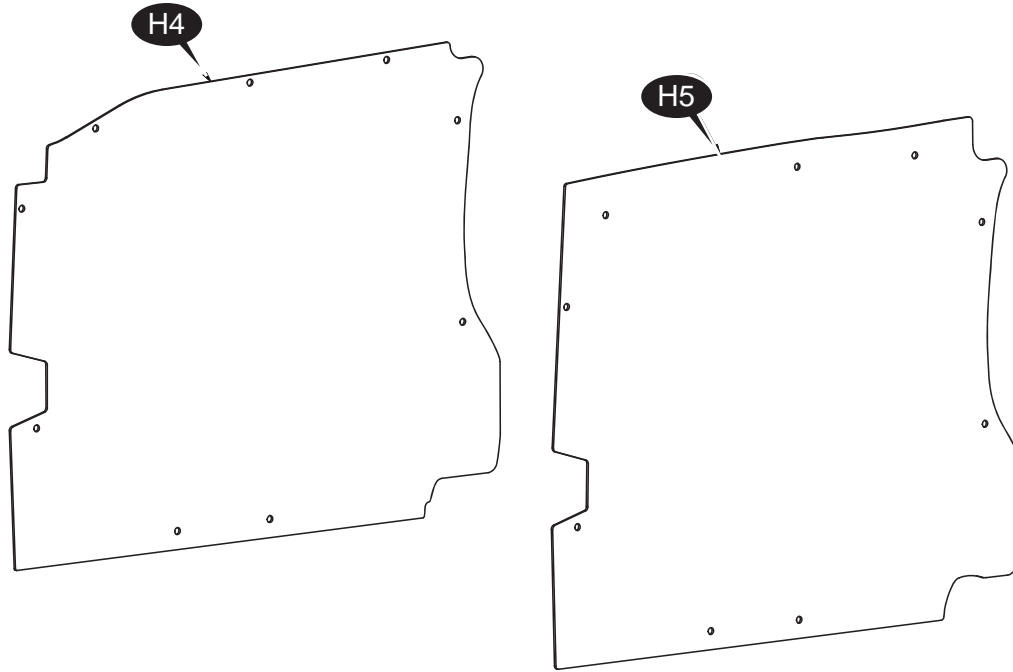
Item	Quantity	Part Number	Description
G5	1	15013427	Front Floor L1 L2 PEJ 2016 ASSY
G7	1	15013412	Middle Floor SF L2 PEJ 2016
G8	1	15013426	Rear Floor L2 PEJ 2016 ASSY
G3	1	15011929	H-profile 12mm L=1476
G9	1	15013413	H-profile 12mm L=1557
	1	15015229	Fitting Kit FFloor Set PP L2 2SLD PEJ 2016



Item	Quantity	Part Number	Description
H1	1	15015214	Panel Front Left PP L0 PEJ 2016
H2	1	15015216	Panel Side Rear Left PP L0 PEJ 2016
H3	1	15015215	Panel Side Rear Right PP L0 PEJ 2016

15015224 Side Panel Set PP L1 PEJ 2016

L2

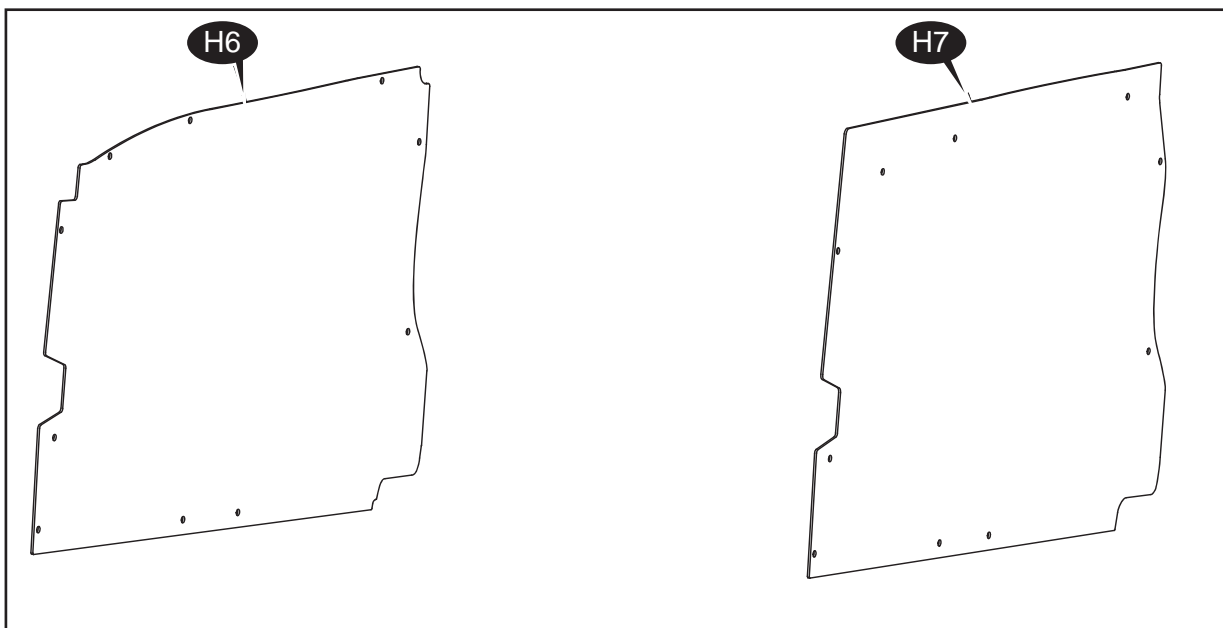


15015224 Side Panel Set PP L1 PEJ 2016

Item	Quantity	Part Number	Description
H4	1	15015217	Panel Side Rear Left PP L1 PEJ 2016
H5	1	15015218	Panel Side Rear Right PP L1 PEJ 2016

15015225 Side Panel Set SF PP L2 PEJ 2016

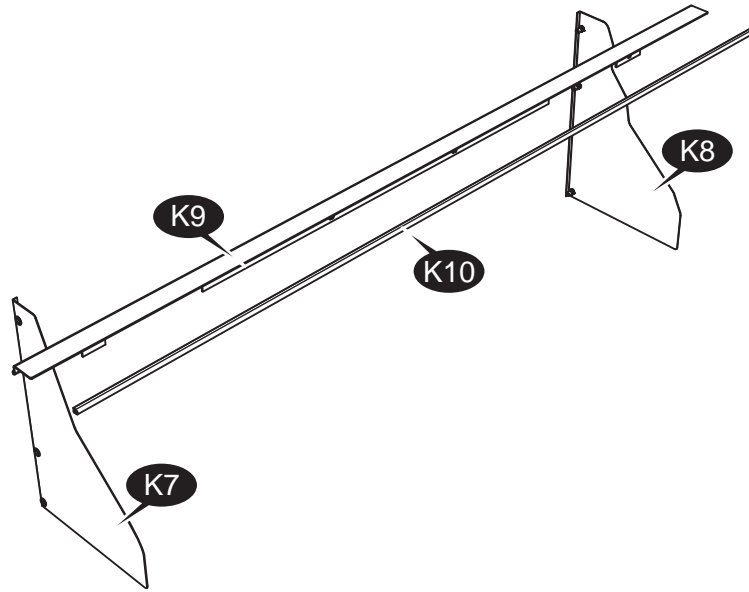
L3



15015225 Side Panel Set SF PP L2 PEJ 2016

Item	Quantity	Part Number	Description
H6	1	15015219	Panel Side Rear Left PP L2 PEJ 2016
H7	1	15015220	Panel Side Rear Right PP L2 PEJ 2016

15012660 Additional Kit Lafi Sep PEJ 2016

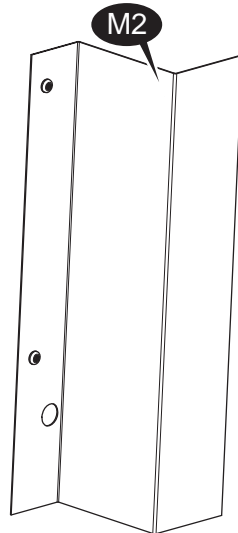


15012660 Additional Kit Lafi Sep PEJ 2016

Item	Quantity	Part Number	Description
K7	1	15012658	Cover Slide Door Front Right Lafi Sep ASSY
K8	1	15012659	Cover Slide Door Front Left Lafi Sep ASSY
K9	1	15013407	Floor Extend Bracket Lafi Sep PEJ 2016
K10	1	461 00 28	Karosseri list L=1475

15017984 Cover Slide Door Left Rear PEJ L0 2SLD ASSY

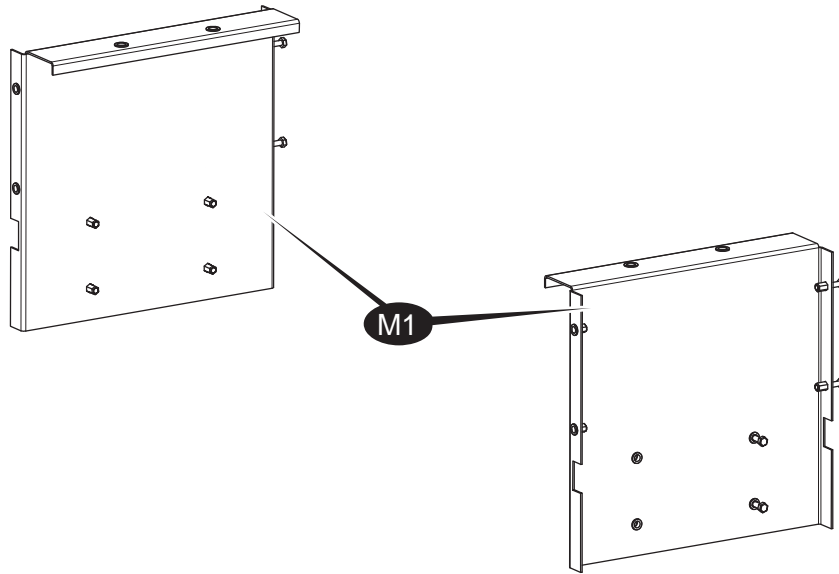
L1



Item	Quantity	Part Number	Description
M2	1	15017984	Cover Slide Door Left Rear PEJ L0 2SLD ASSY
	1	15017983	Fitting Kit Bracket Left Slide Door SF PEJ L0 2SLD

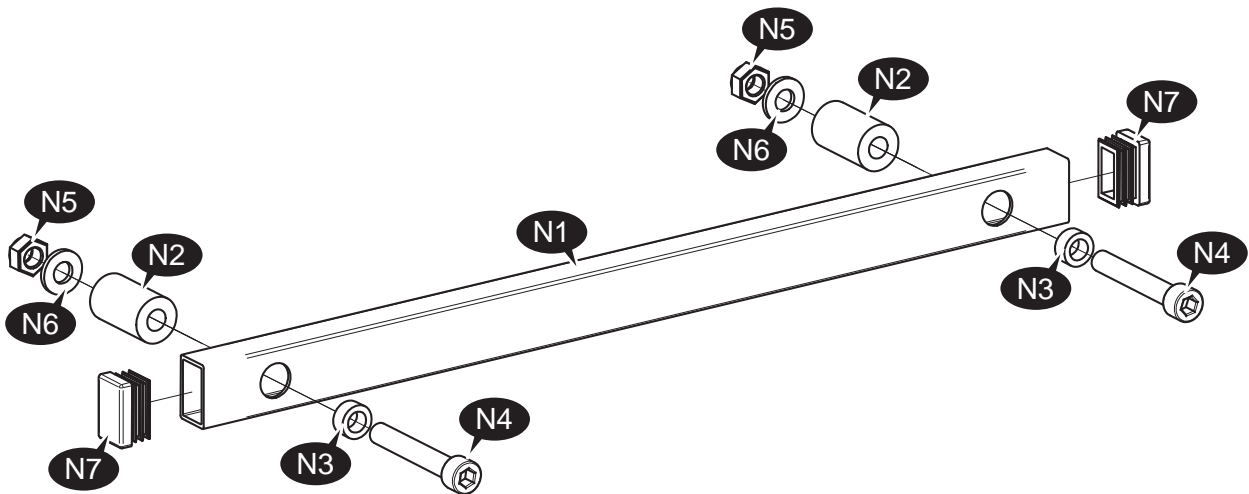
15013410 Additional Steel Bracket Set for L2 PEJ 2016

L3



Item	Quantity	Part Number	Description
M1	2	15013398	Distance Bracket L2 PEJ 2016 ASSY

15010236 Handle Assy

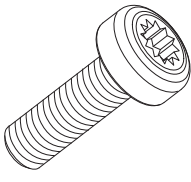
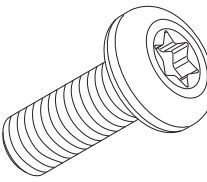
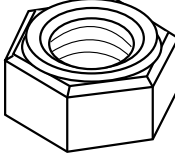
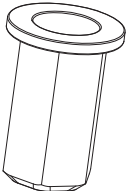
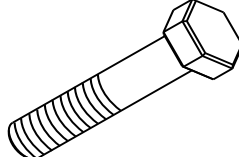
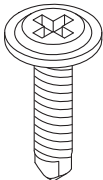
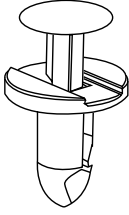
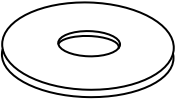
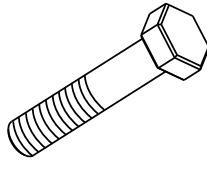
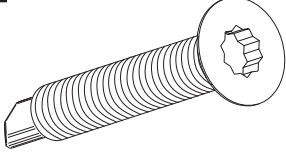
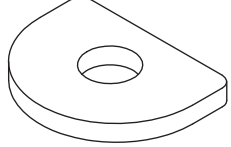
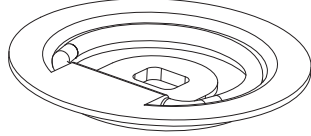
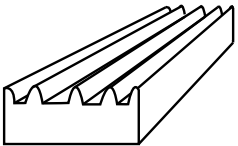
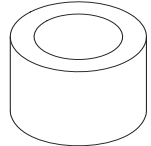
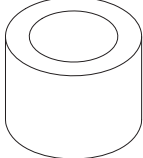
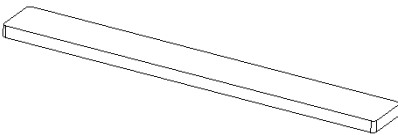


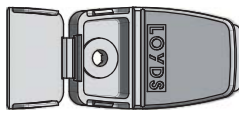
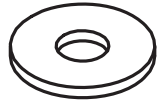



15010236 Handle Assy

Item	Quantity	Part Number	Description
N1	1	15009441	Handle Tube 25x15x286
N2	2	15009442	Spacer Ø8,3x18x30 Nylon Black
N3	2	15009443	Spacer Ø8,1x13x6mm Galv
N4	2	15009444	Screw M8x50 Cylinderh Hex
N5	2	8 NMU	Mutter M8 Nyloc DIN985
N6	2	8,4x17x2	M8 Washer, DIN 125
N7	2	15009438	End Plug Tube 25x15 Inside

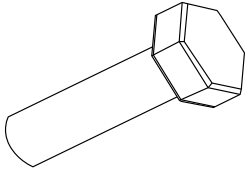
Fitting Kit

L2 L3

<p>F1</p>  <p>15004443 M5x16 TX20 pan (DIN 7985)</p>	<p>F2</p>  <p>15003551 M6x16 TX30 pan (DIN 7985)</p>	<p>F3</p>  <p>6 NMU M6 Self locking nut, DIN 985-8</p>
<p>F4</p>  <p>15005027 M5 Popnut Hex-body</p>	<p>F5</p>  <p>15004713 M8x50 screw, DIN 933, black EIZn+Cr3</p>	<p>F6</p>  <p>4,2x19 FL Selvborr skruer, flathode, elzn</p>
<p>F7</p>  <p>15008180 Panel Push Plug</p>	<p>F8</p>  <p>5,3x15x1,2 Syref. Stoppskive, syrefast</p>	<p>F9</p>  <p>8x40 6KS M8x40 mm Bolt, DIN 933, sort</p>
<p>F10</p>  <p>15009568 Screw 4,8x32 Selfdrill Counters Torx Elz</p>	<p>F11</p>  <p>15005884 Washer Latchcup for ø8</p>	<p>F12</p>  <p>15005497 Latch Cup Black Ø90 Ø12x15 1000Kp</p>
<p>F13</p>  <p>36.721004 Window Rubber Profile Sindby L= 2500</p>	<p>F14</p>  <p>11,3x18x12 Distansehylse B-223 Plast</p>	<p>F15</p>  <p>15001584 Distansehylse D20 d13 h15</p>
<p>F16</p>  <p>05-99626 Avstandskloss 300x40x9</p>	<p>F17</p>  <p>15-97552 Foamtape selfadesive 130x40x10</p>	<p>F18</p>  <p>6x16 6k M6 Bolt, DIN 933</p>
<p>F19</p>  <p>15003895 Panel Clip</p>	<p>F20</p>  <p>15004714 Washer 8,4x23x2mm DIN 9021 Black</p>	<p>F21</p>  <p>15013214-1 M8x18 6kt Screw Blackcrome</p>

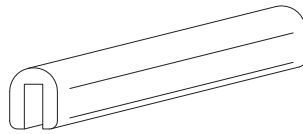
Fitting Kit

F22



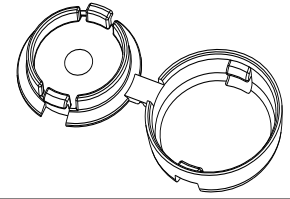
8x30 6k
Skruer 8x30 6K S-86, Din 933, Elz

F23



15009991 Edge Profile
461 00 28 L=1575

F24



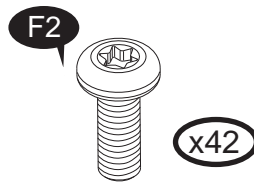
15013001 Snap Cap Screw Cover

15013182 Fitting Kit Steel Bracket Set L0 PEJ 2016

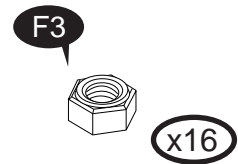
L1



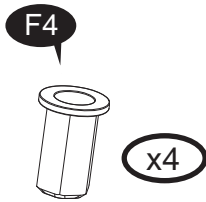
15004443
M5x16 TX20 pan (DIN7985)



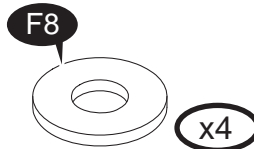
15003551
M6x16 TX30 pan (DIN 7985)



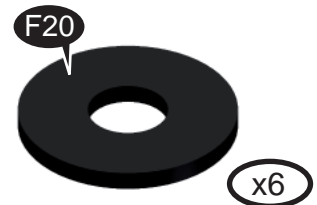
6 NMU
M6 Self Locking nut, DIN 985-8



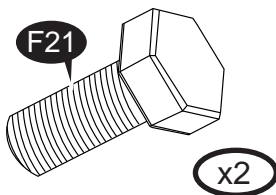
15005027
M5 Popnut Hex-body



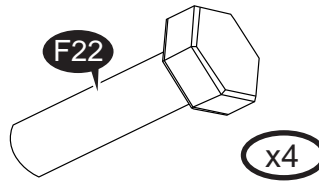
5,3x15x1,2 Syref.
Stoppskive, syrefast



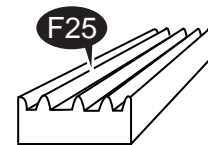
15004714
Washer 8,4x23x2mm DIN 9021 Black



15013214-1
M8x18 6kt Screw Blackchrome

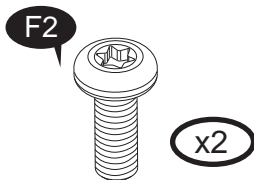


8x30 6K
Skruer 8x30 6K S-86, DIN 933 Elz

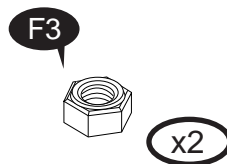


36.721004
Window Rubber Profile Sindby
L: 2000 mm

15017983 Fitting Kit Bracket Left Slide Door SF PEJ L0 2SLD



15003551
M6x16 TX30 pan (DIN 7985)



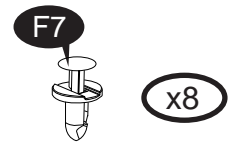
6 NMU
M6 Self Locking nut, DIN 985-8



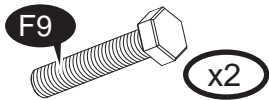
15004713
M8x50mm Bolt, 6K DIN 933 Black



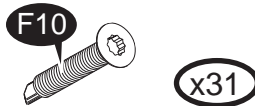
4,2x19 FL
Selvborr skruer, flathode, elzn



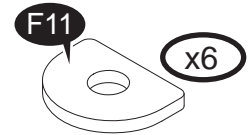
15008180
Panel push-plug Ral 7035



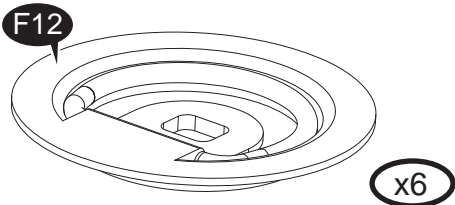
8x40 6KS
M8x40mm Bolt, DIN 933, sort



15009568
Screw 4,8x32 Selfdrill Counters Torx
Elz



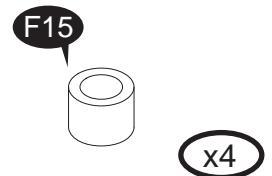
15005884
Washer Latchcup for Ø8



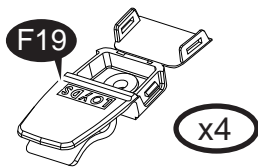
15005497
Latch Cup Black Ø90 Ø12x15 1000Kp



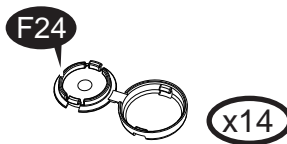
11,3x18x12
Distansehylse B-223 Plast



15001584
Distansehylse D20 d13 h15



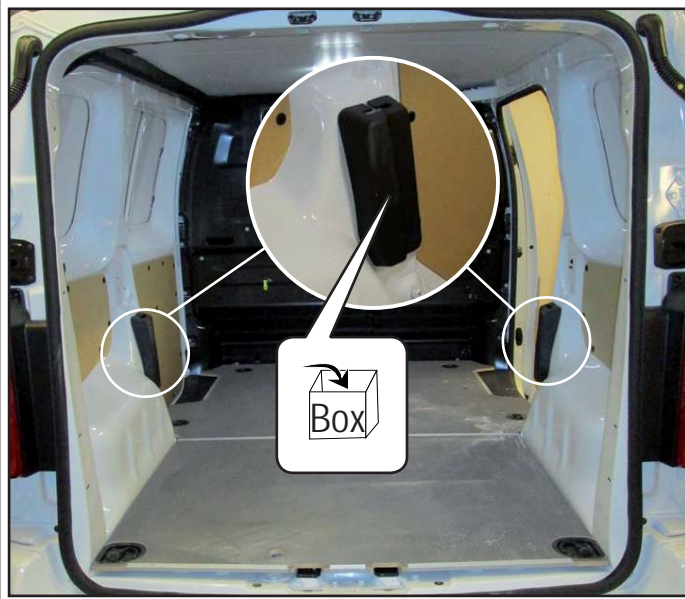
15003895
Panel clip



15013001
Snap cap screw cover

1.

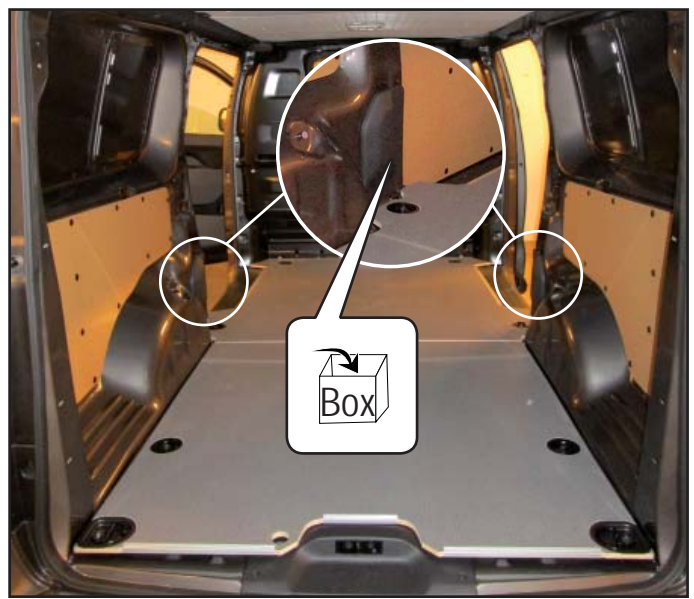
L1



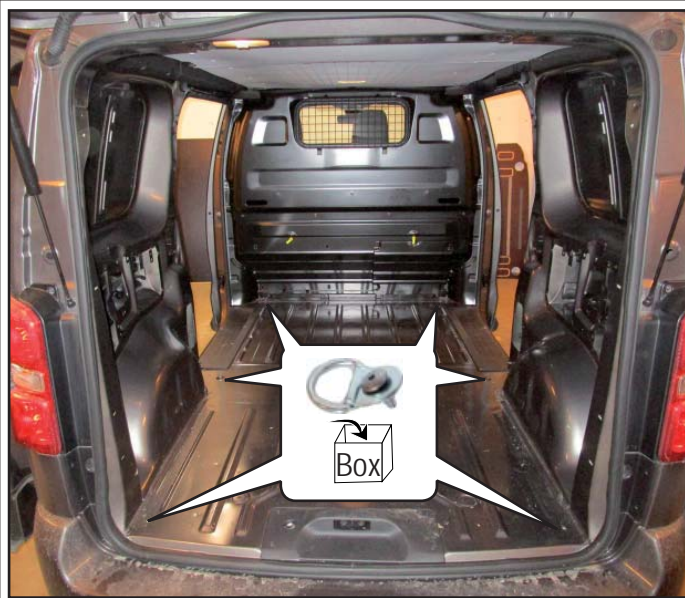
1.A

L2

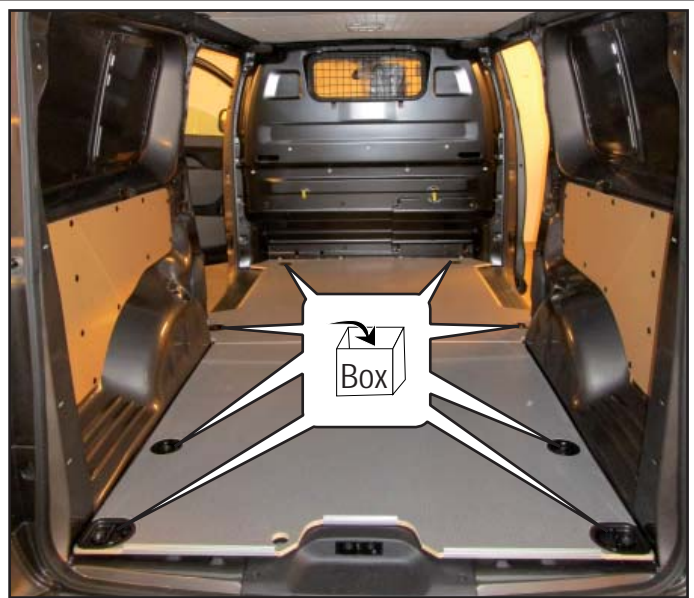
L3



2.

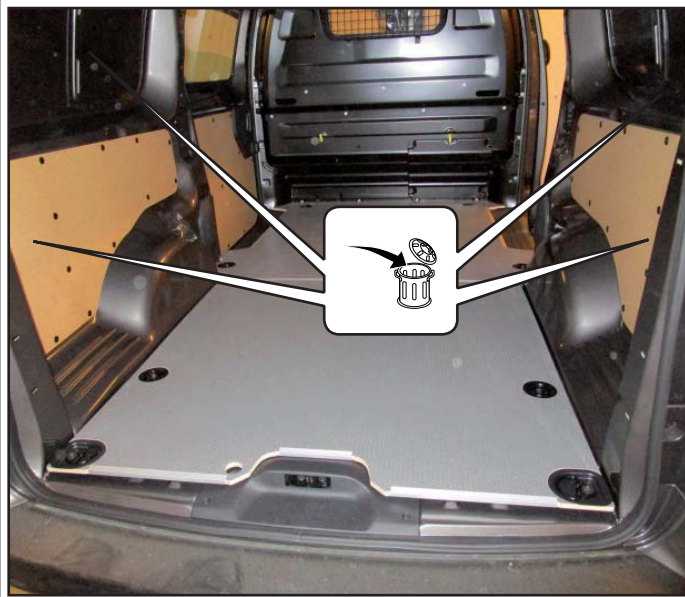


2.A

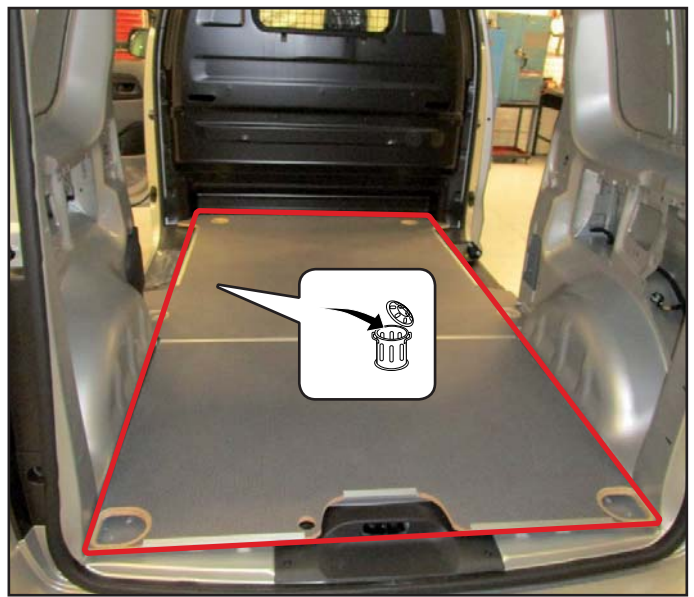


3.

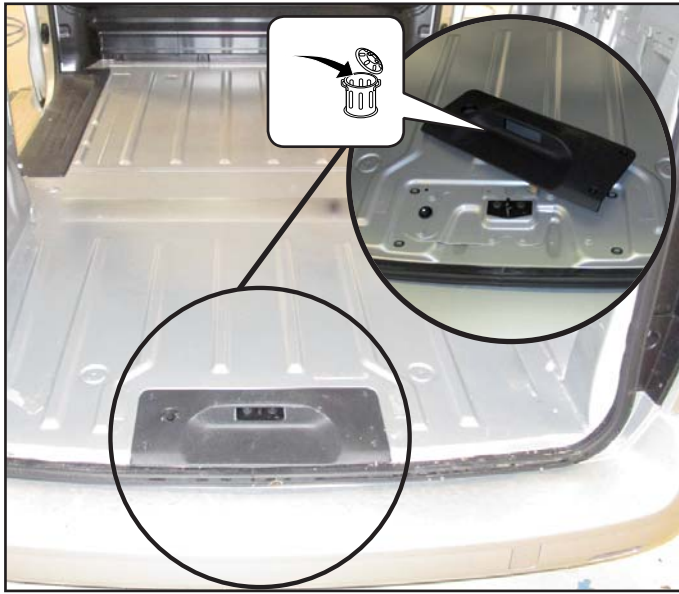
L&R



4.

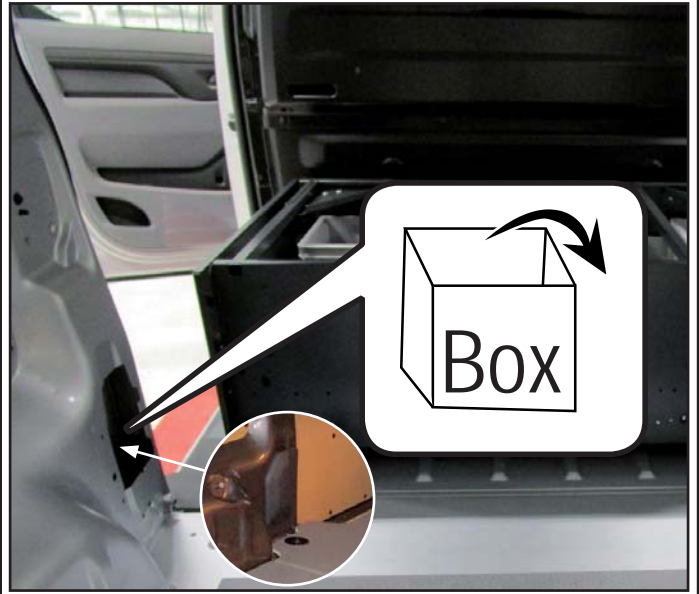


5.



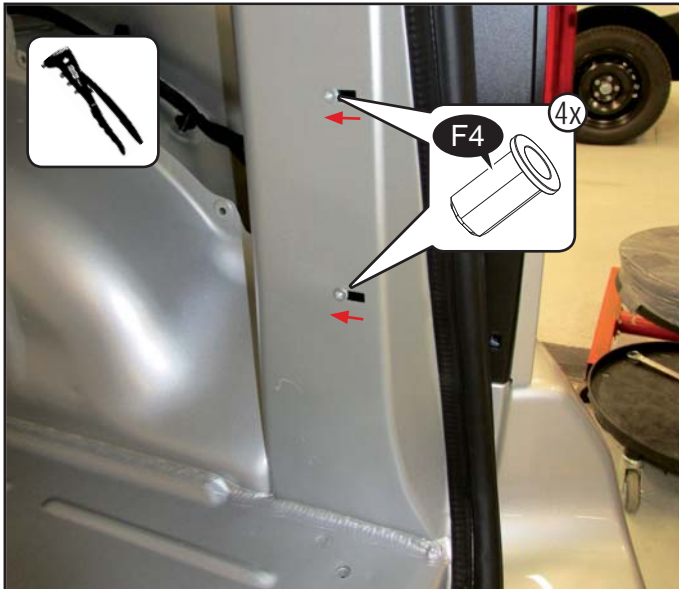
6.

L2 L3 L&R

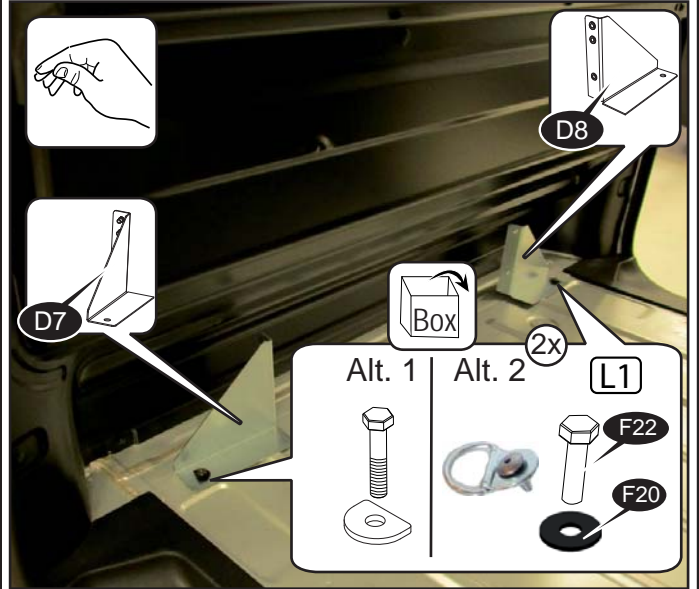


7.

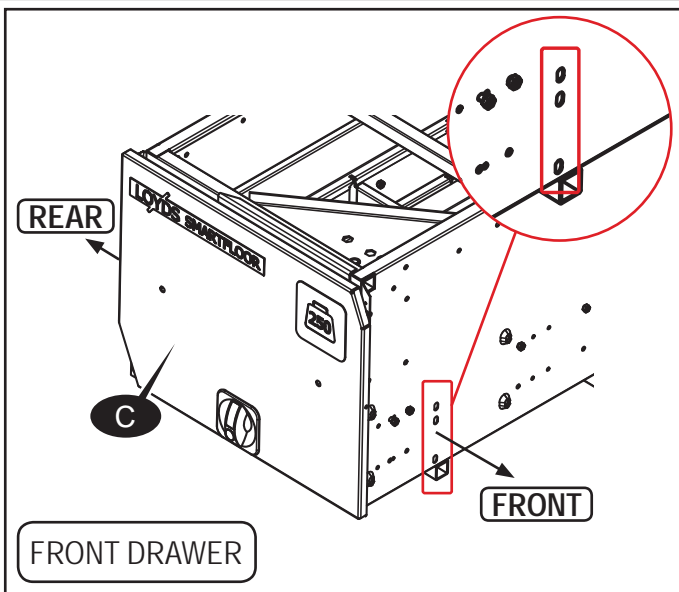
L&R



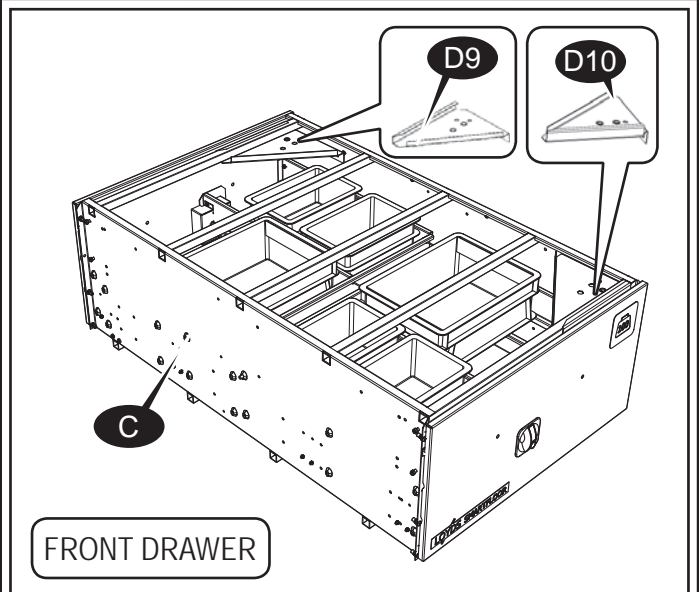
8.



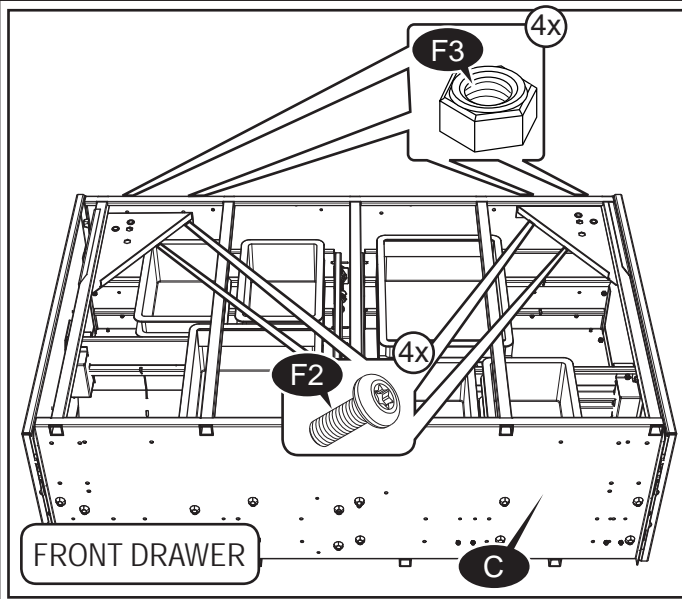
9.



10.

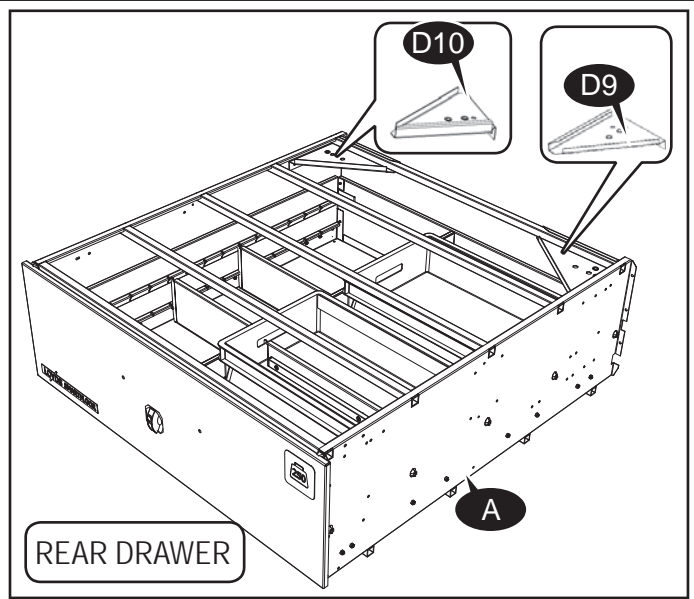


11.



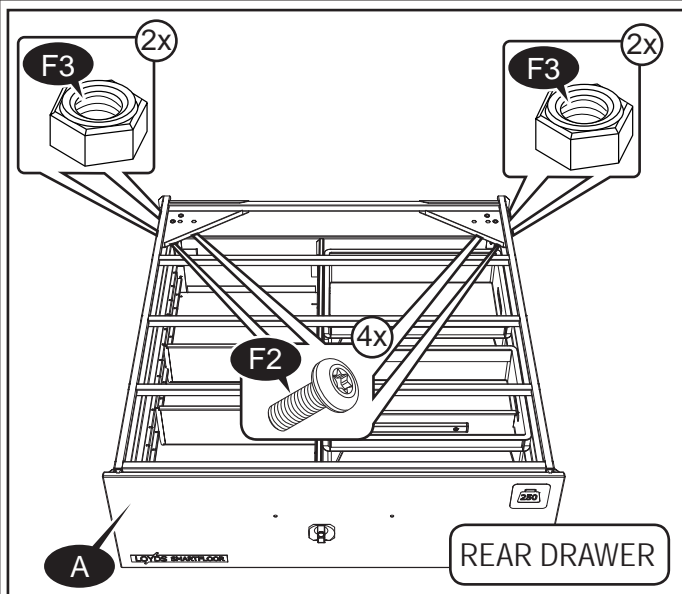
12.

L2 L3

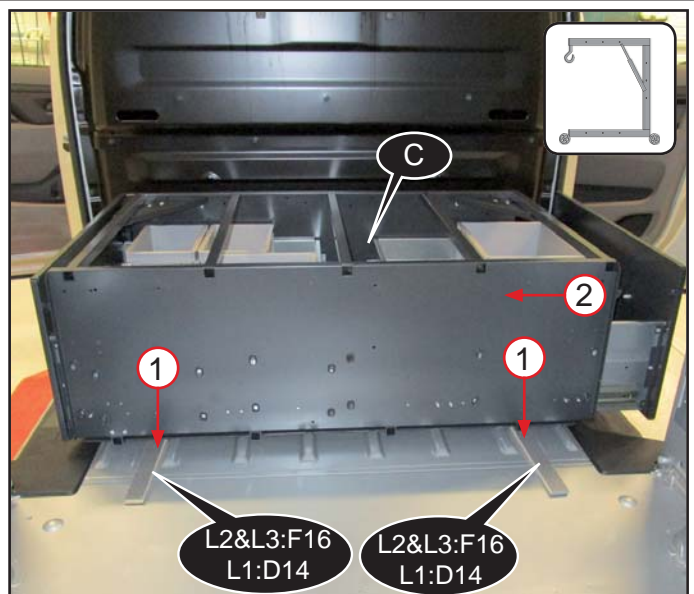


13.

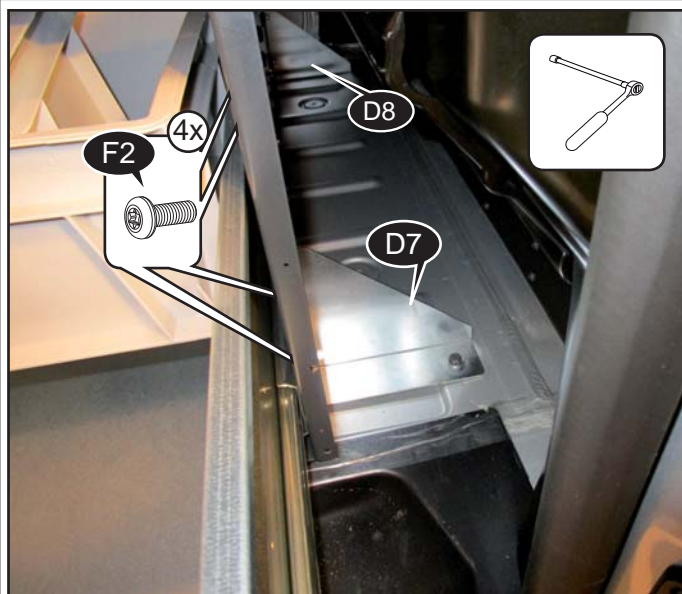
L2 L3



14.



15.

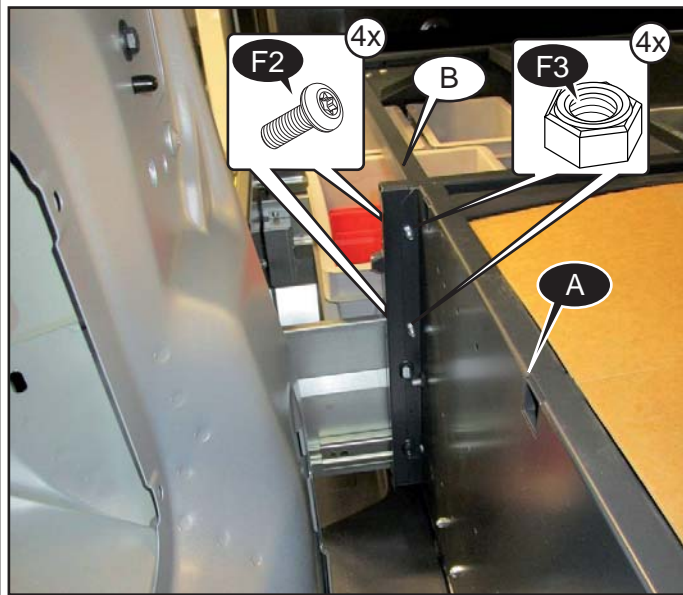


16.



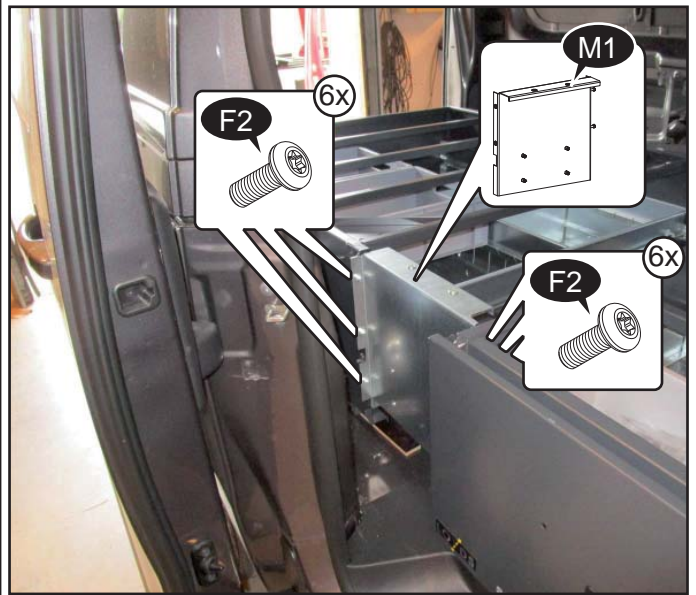
17.

L&R L2



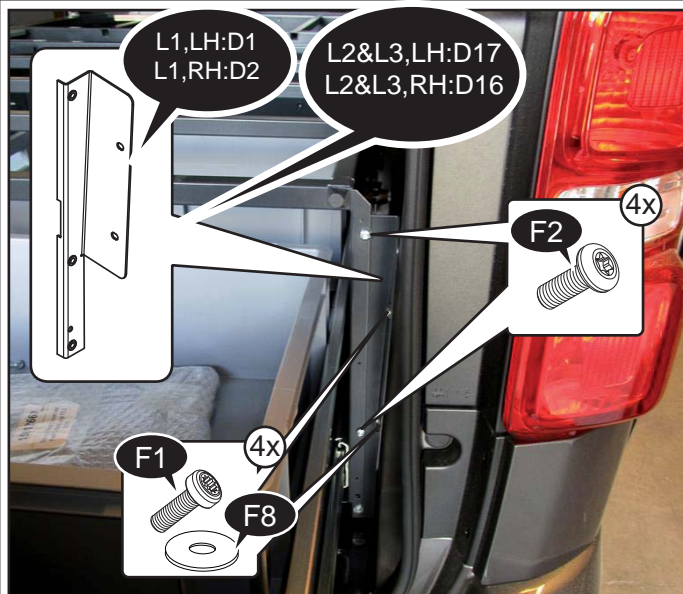
18.

L&R L3



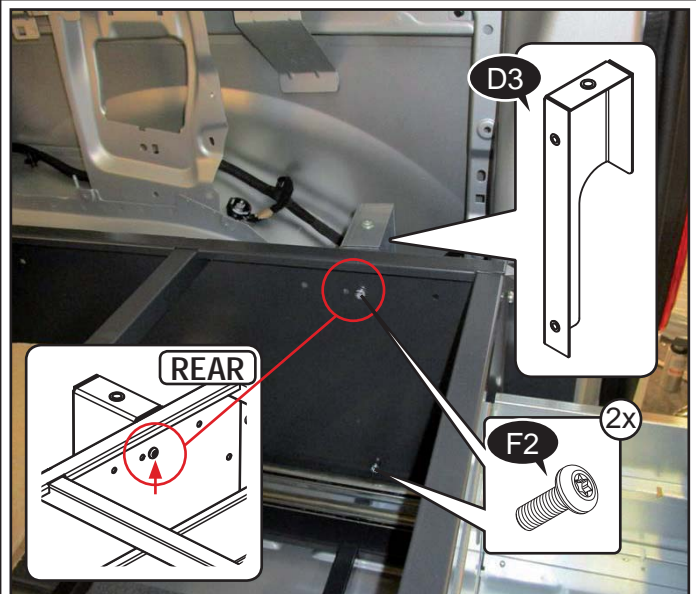
19.

L&R



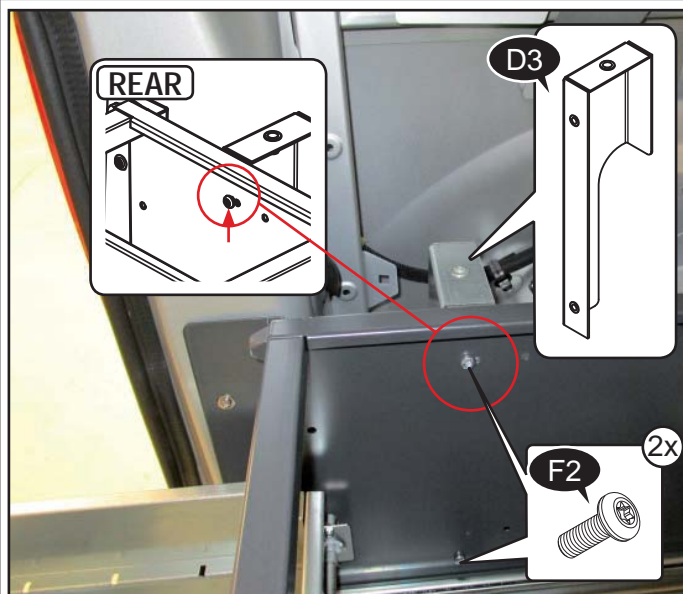
20.

RH



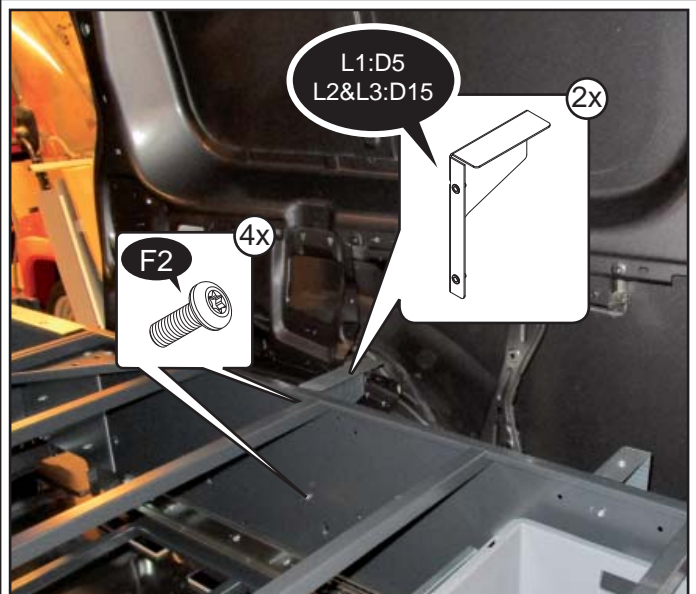
21.

LH



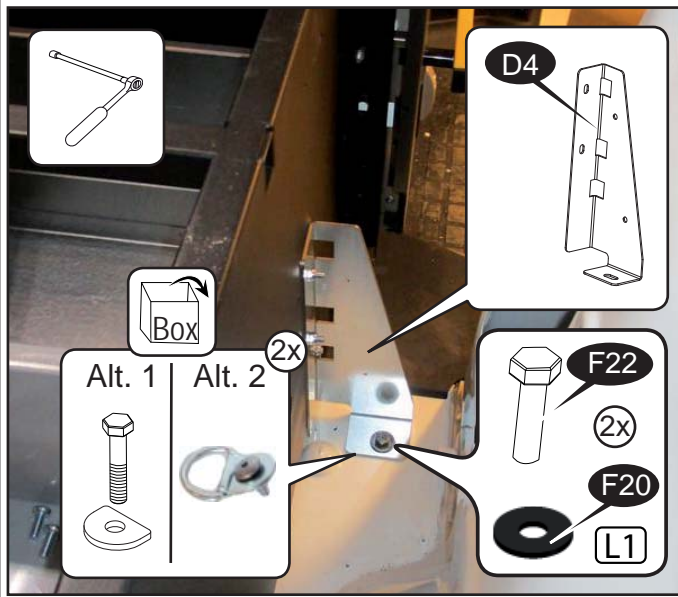
22.

L&R



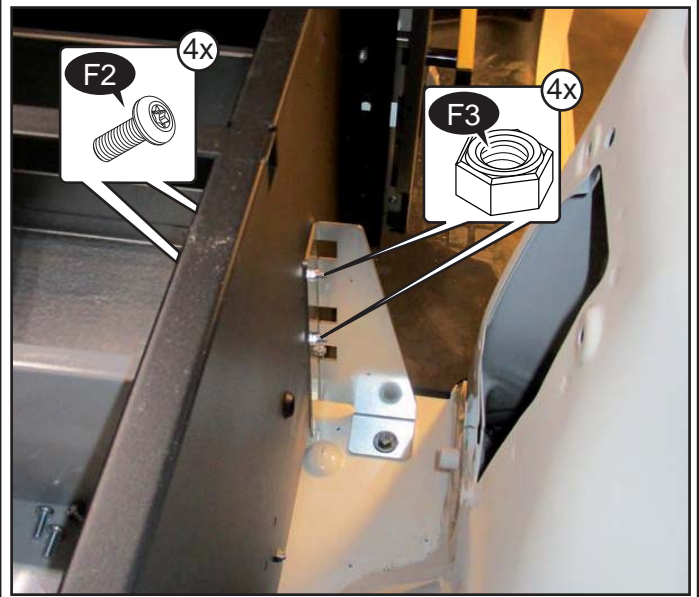
23.

L&R L1 L2



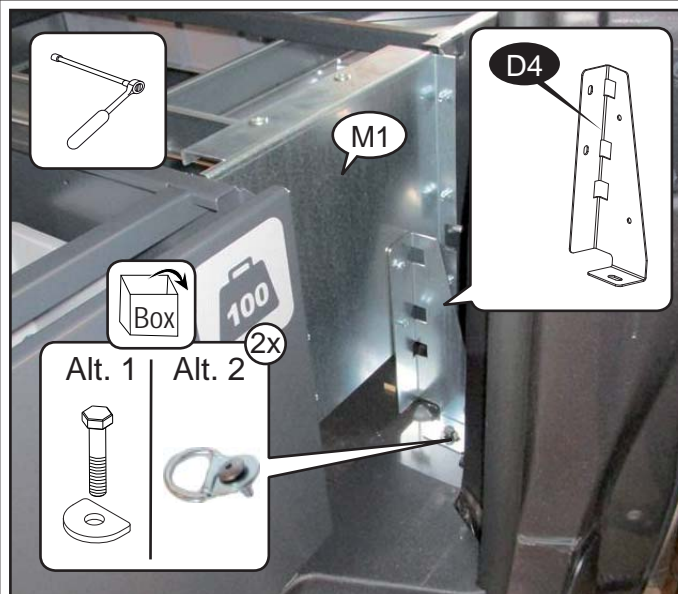
23.A

L&R L1 L2



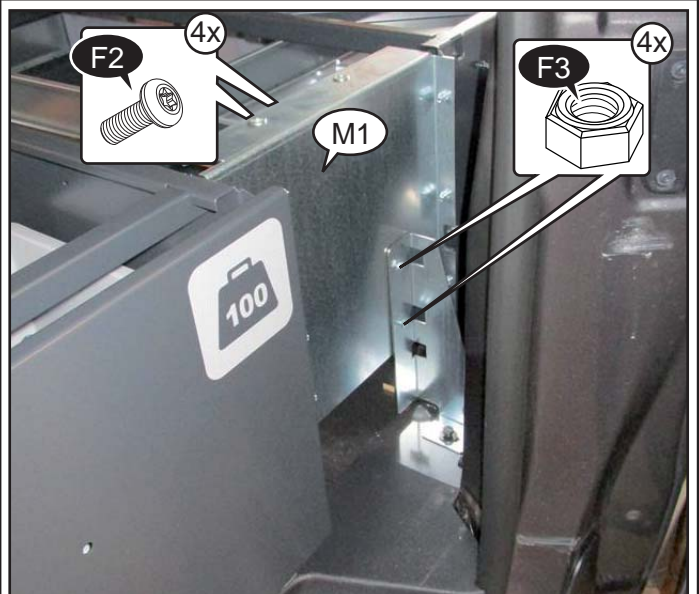
24.

L&R L3



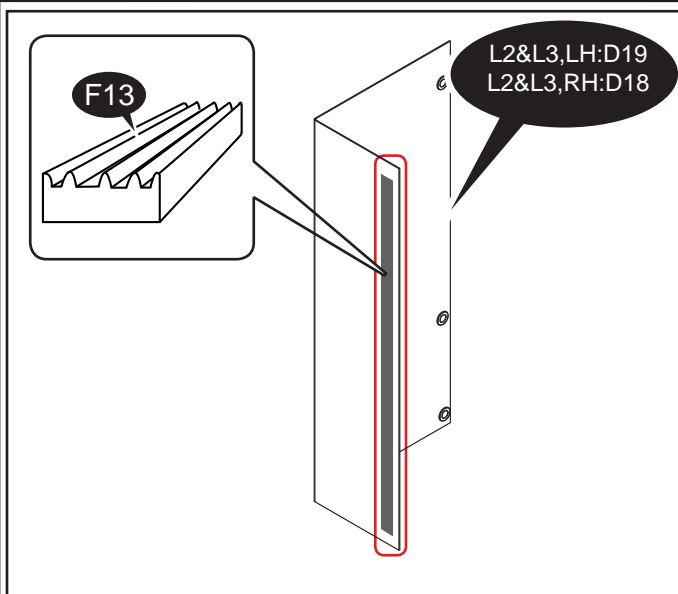
24.A

L&R L3



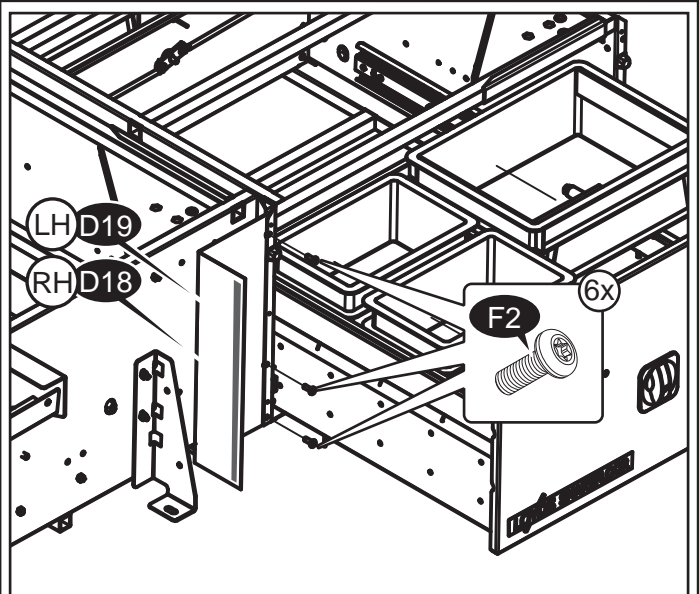
25.

L&R L3 L2



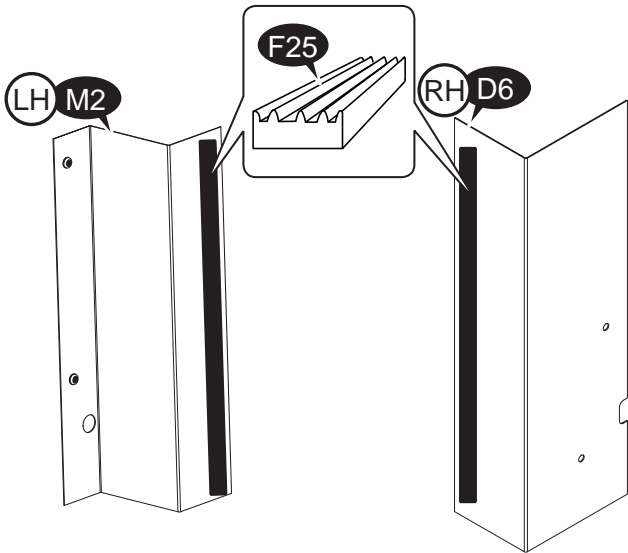
26.

L&R L3 L2



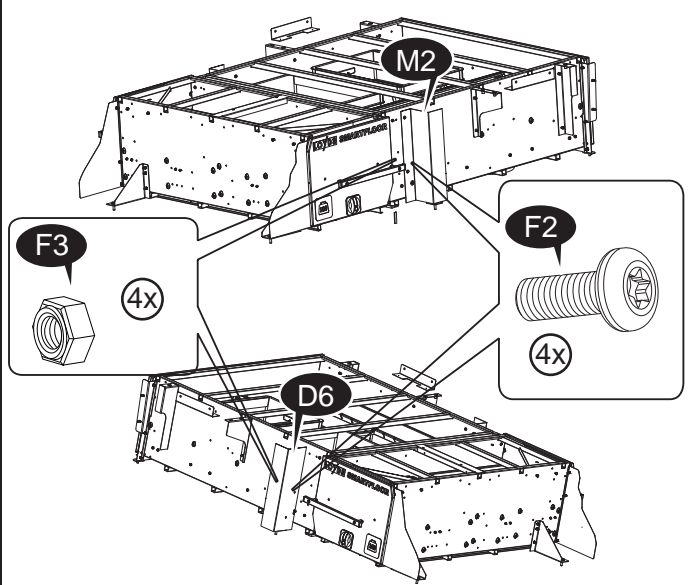
26.A

L1



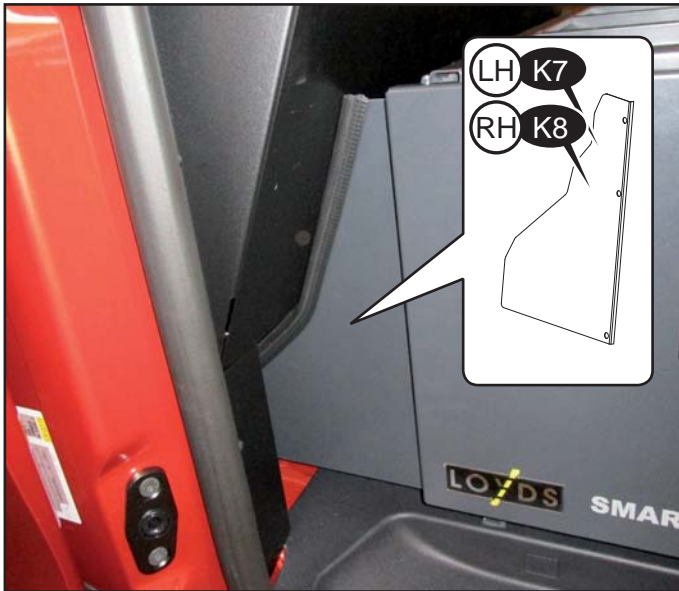
27.

L1



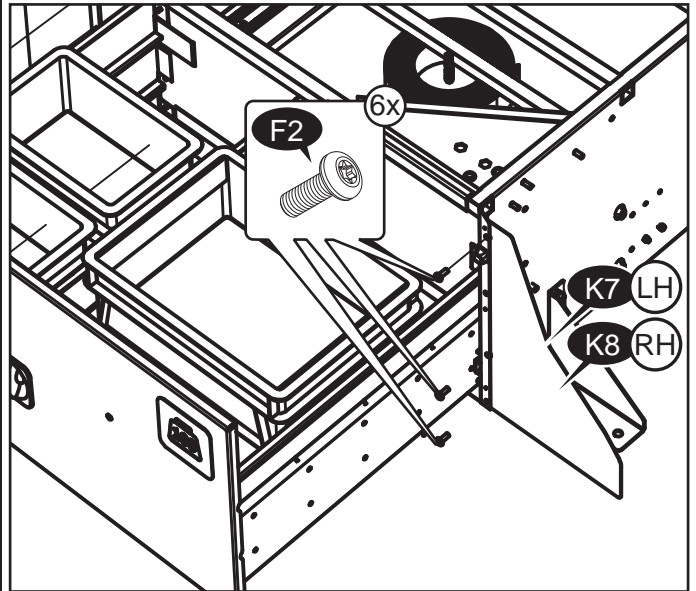
28.

L&R



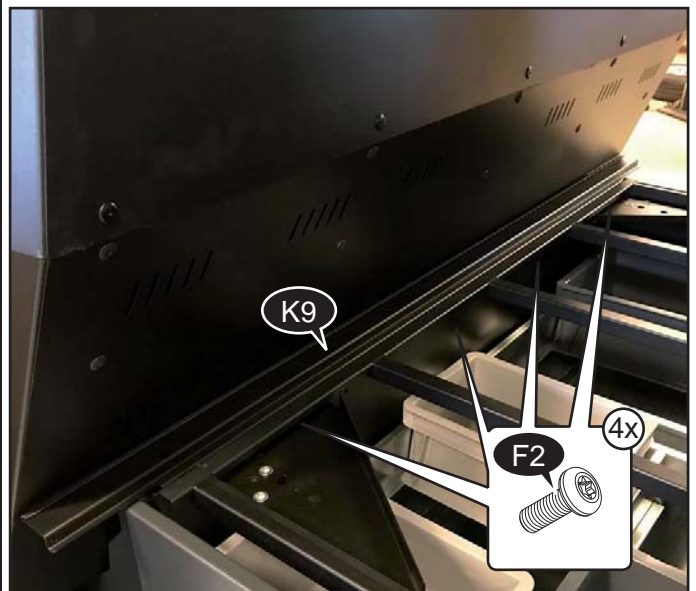
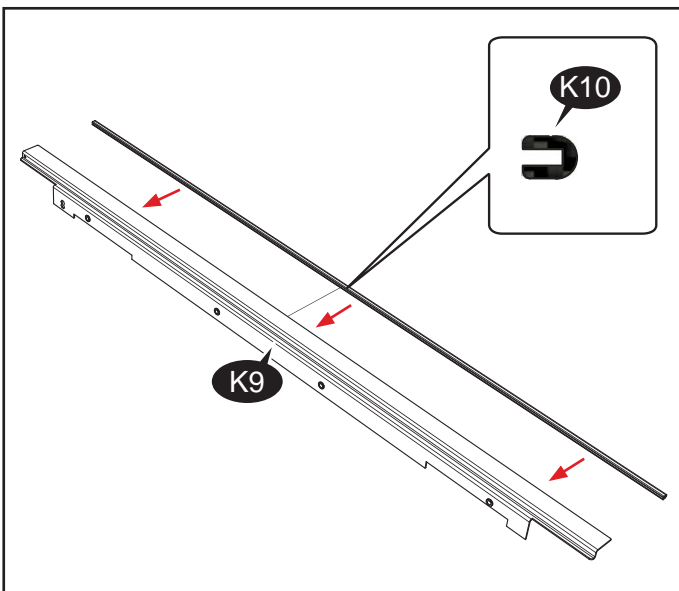
28.A

L&R

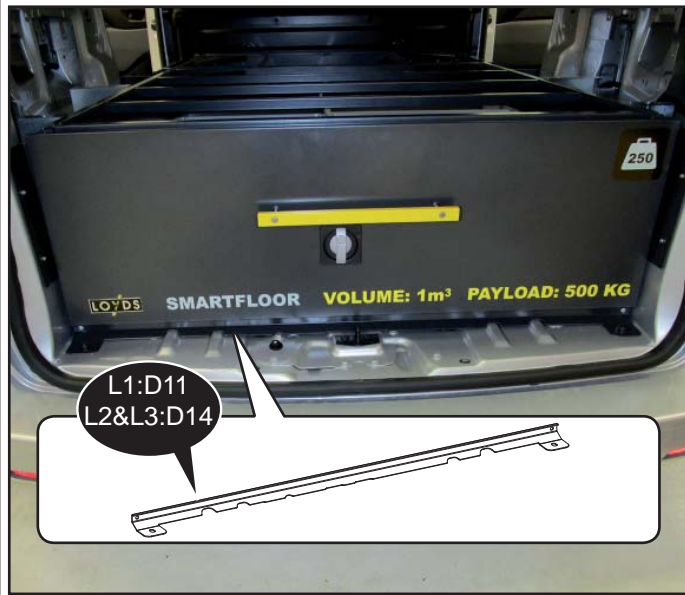


28.B

28.C

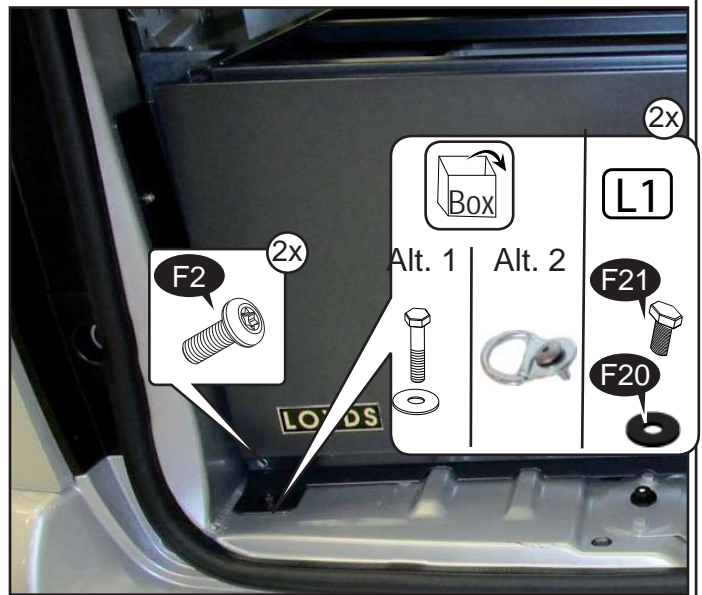


29.



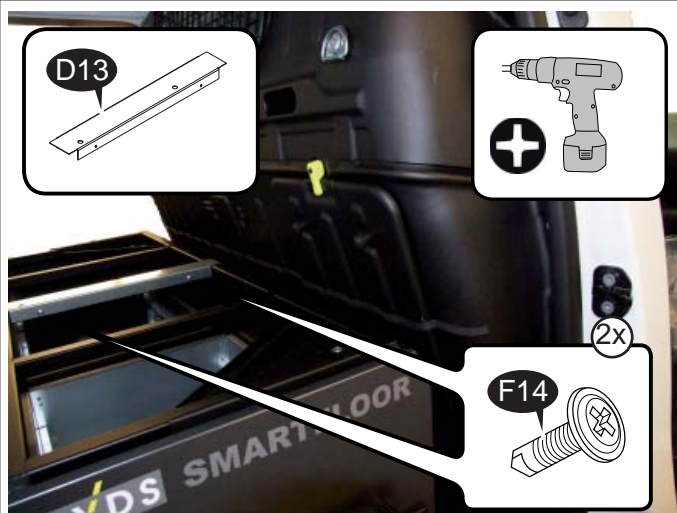
30.

L&R



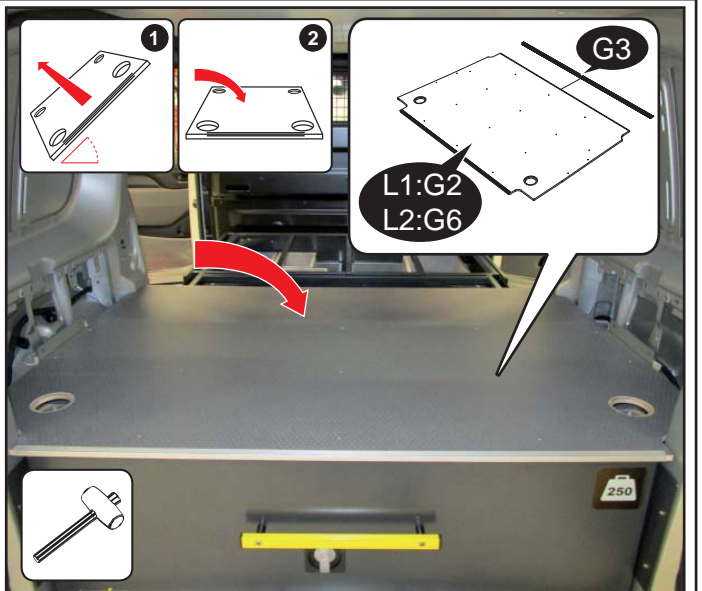
31.

L1



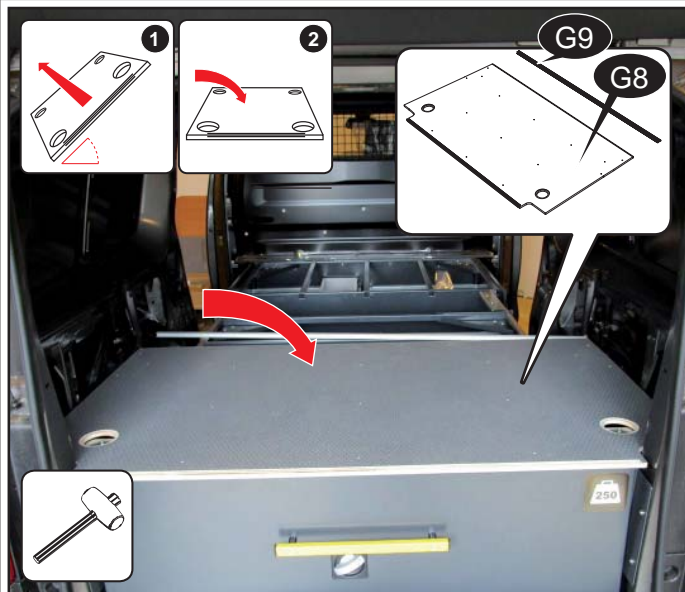
32.

L1 L2



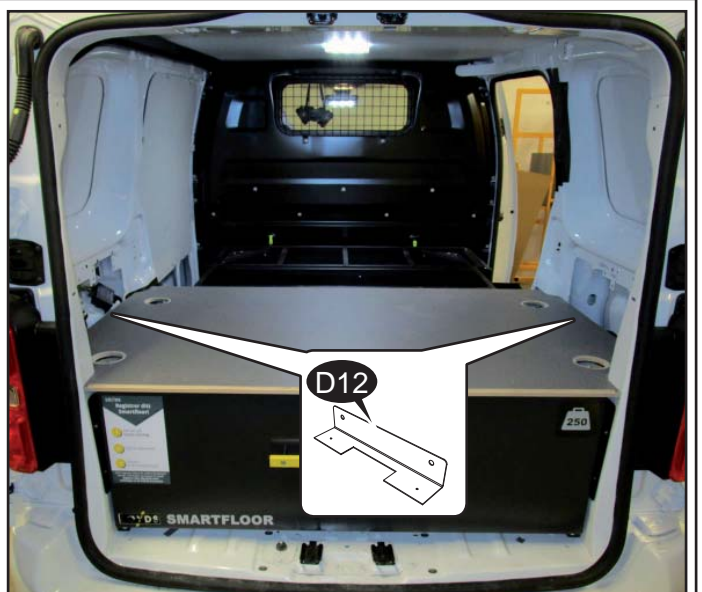
33.

L3

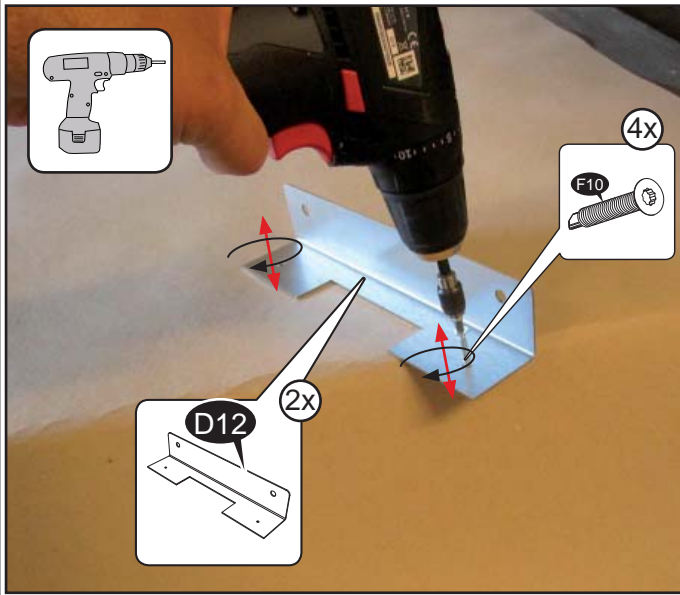


34.

L&R

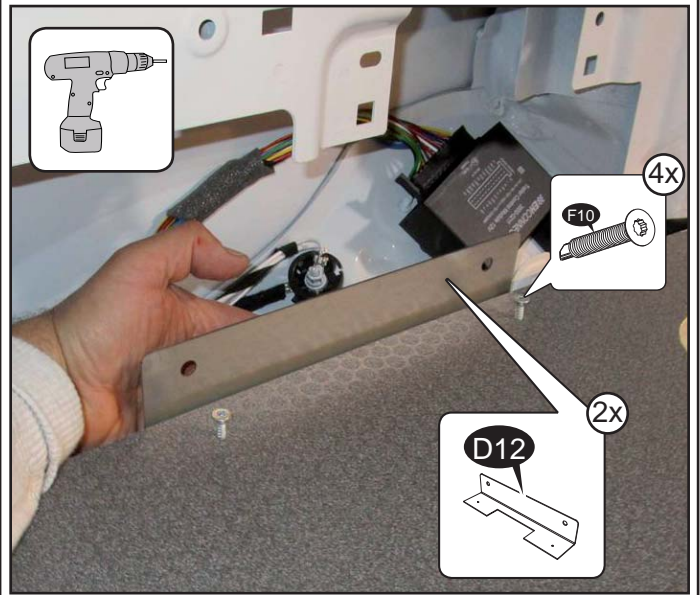


35.

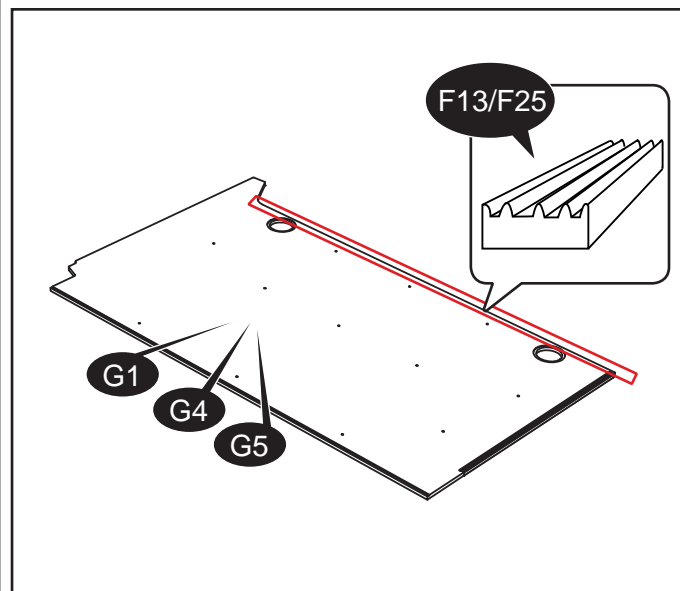


36.

L&R

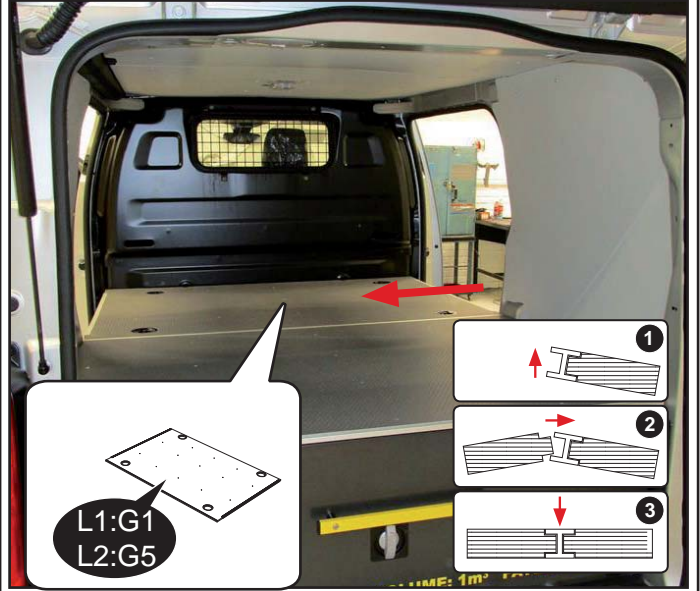


37.



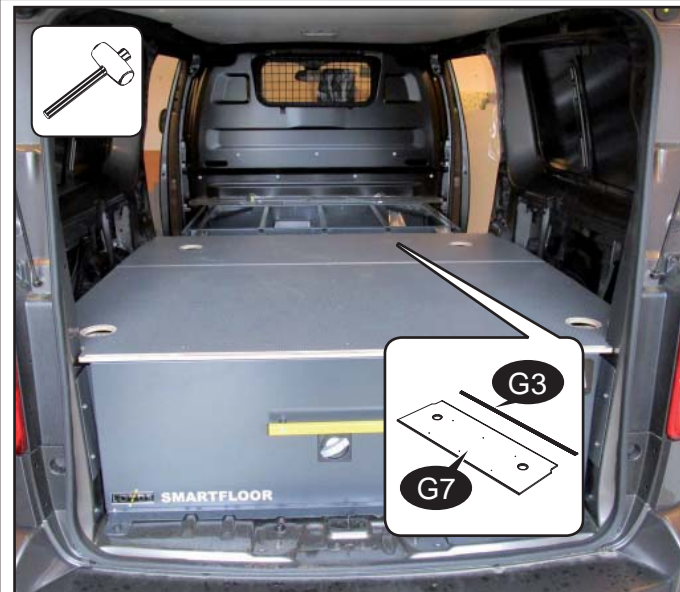
38.

L1 L2



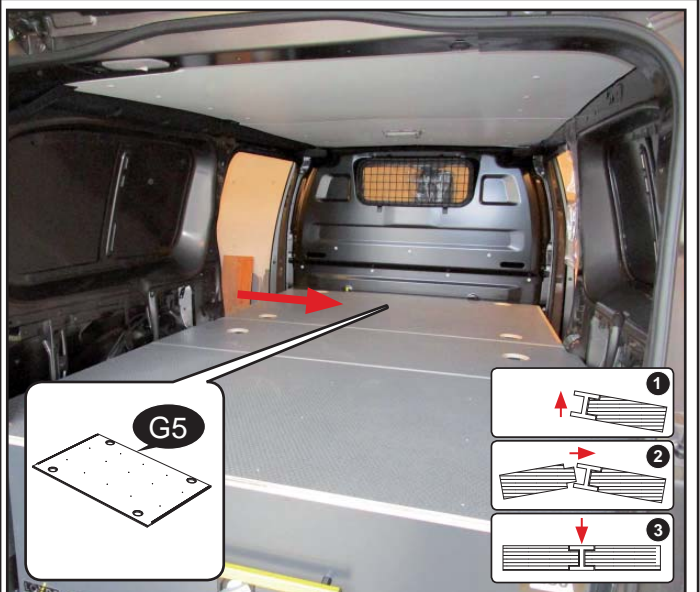
39.

L3

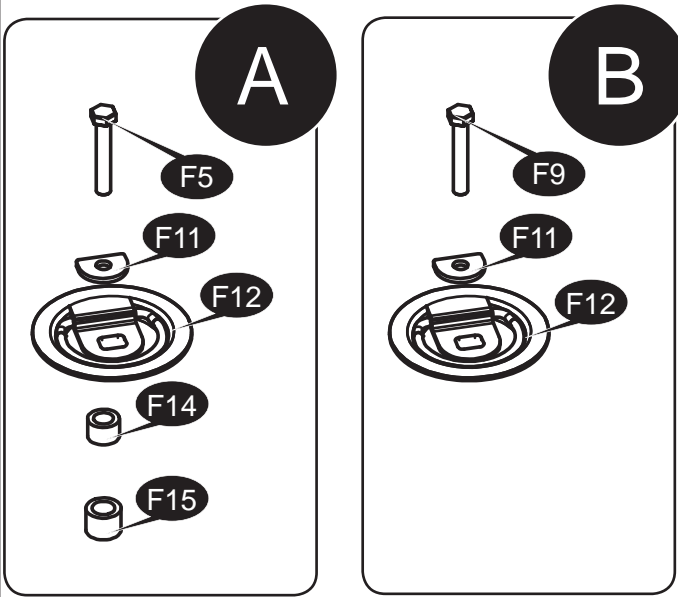


40.

L3

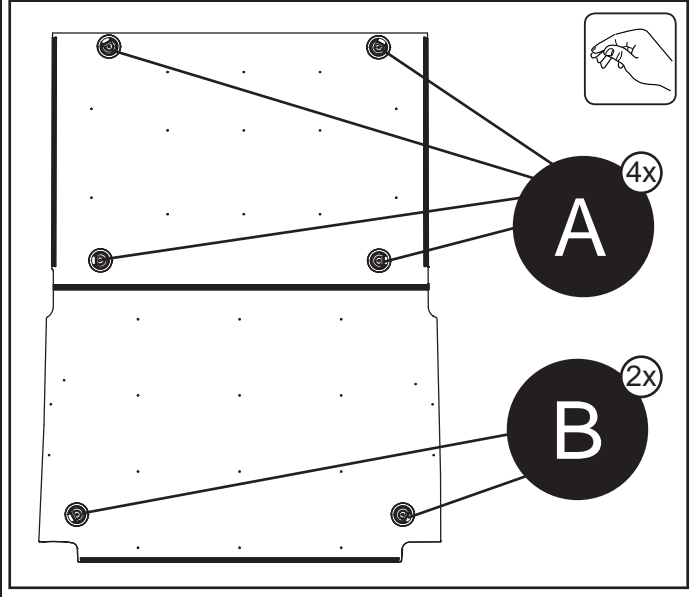


41.



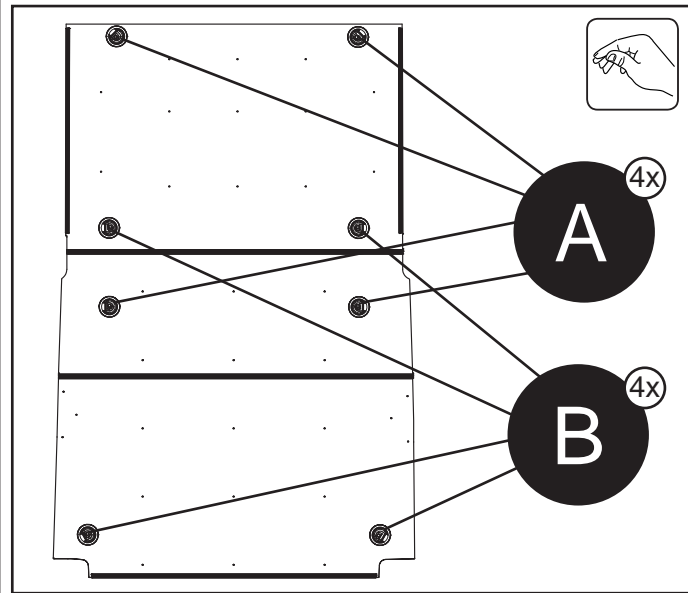
42.

L1 L2

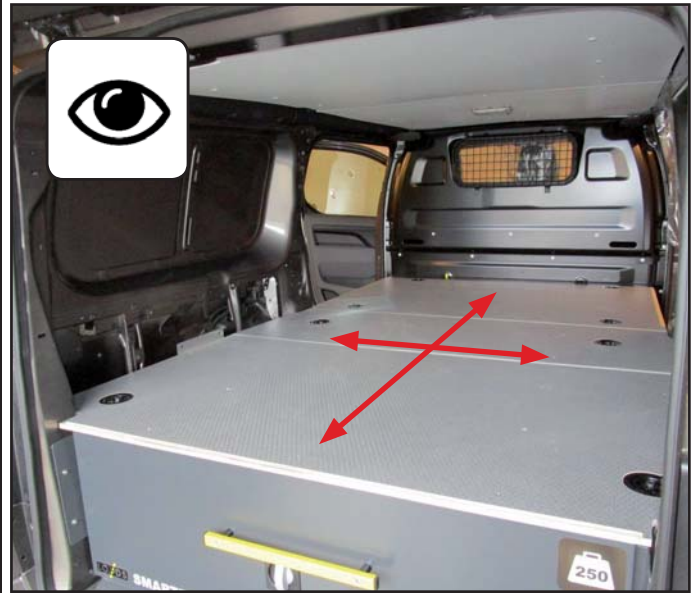


43.

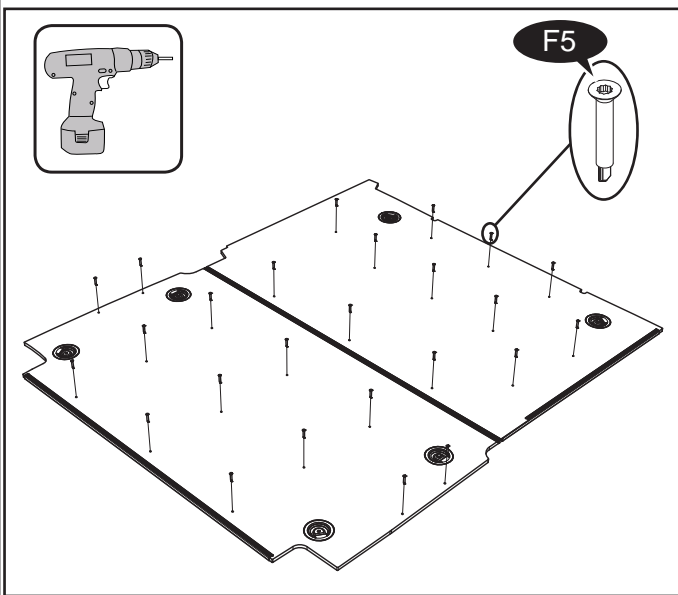
L3



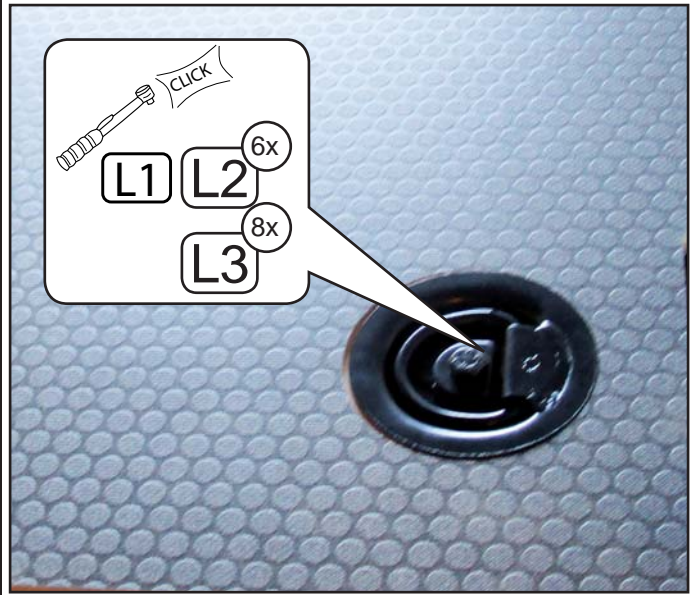
44.



45.

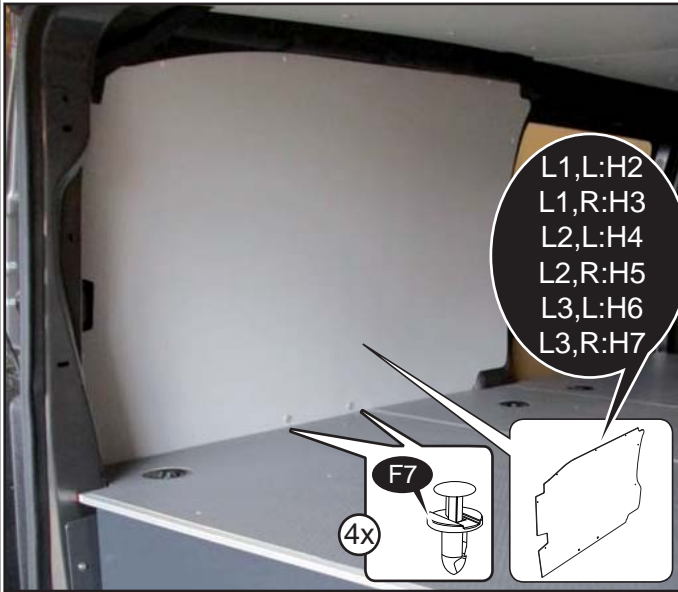


46.



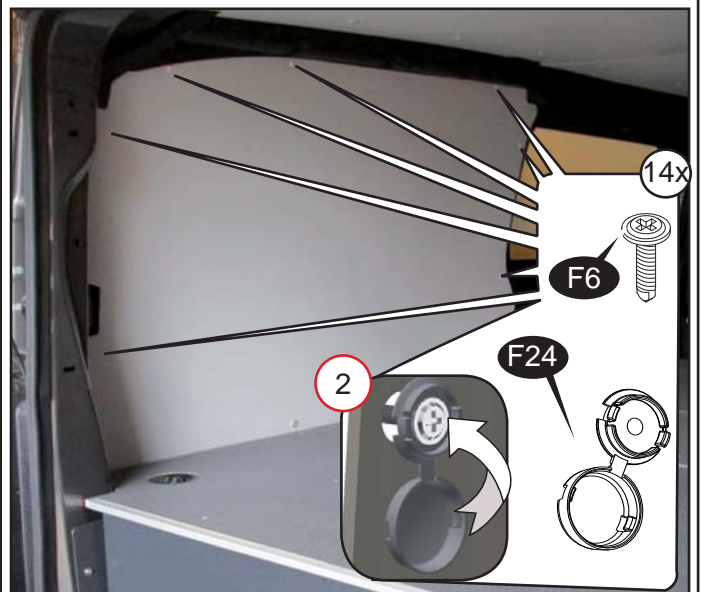
47.

L&R



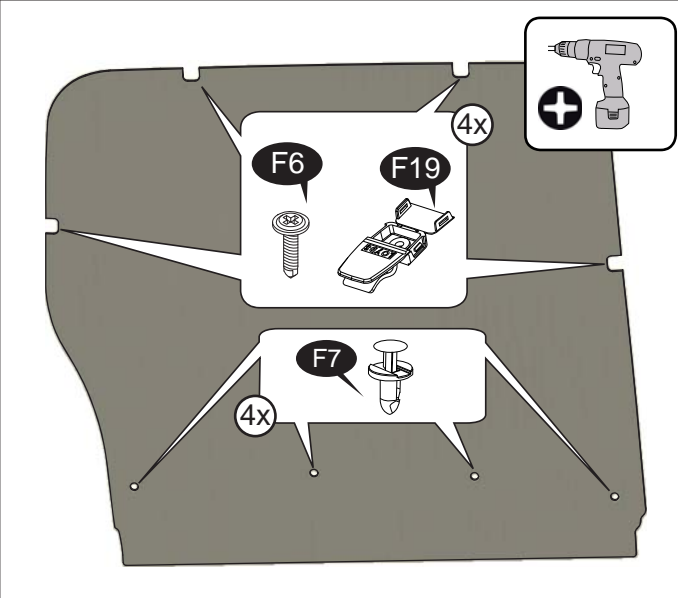
48.

L&R



49.

L1



50.

