

# SMARTFLOOR

## Dodge Ram Spray-on Bedliner Installation Manual



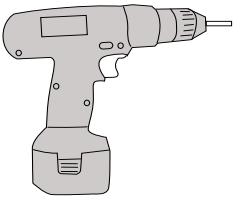


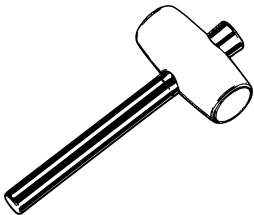
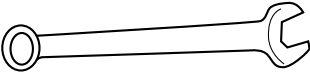
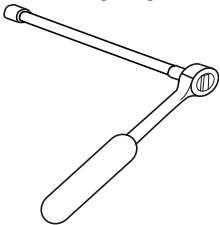
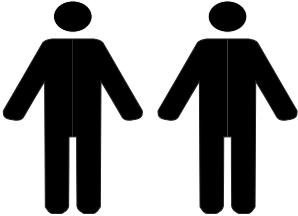
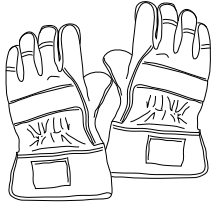

# Revision Record

Rev nr	Date	Page	Picture	Update	New	Deleted steps

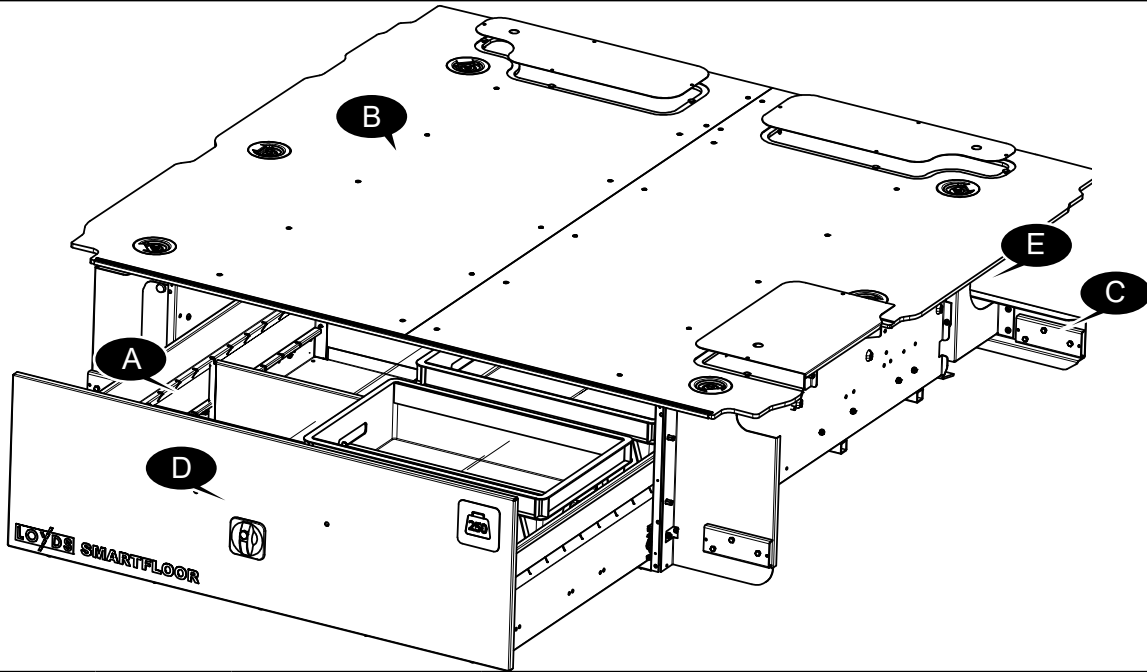
Recommended torque for screws:

4,2mm Selfdrilling: 3,6 NM  
 6mm: 6 NM  
 8mm: 10 NM  
 10mm: 42 NM

## Tools

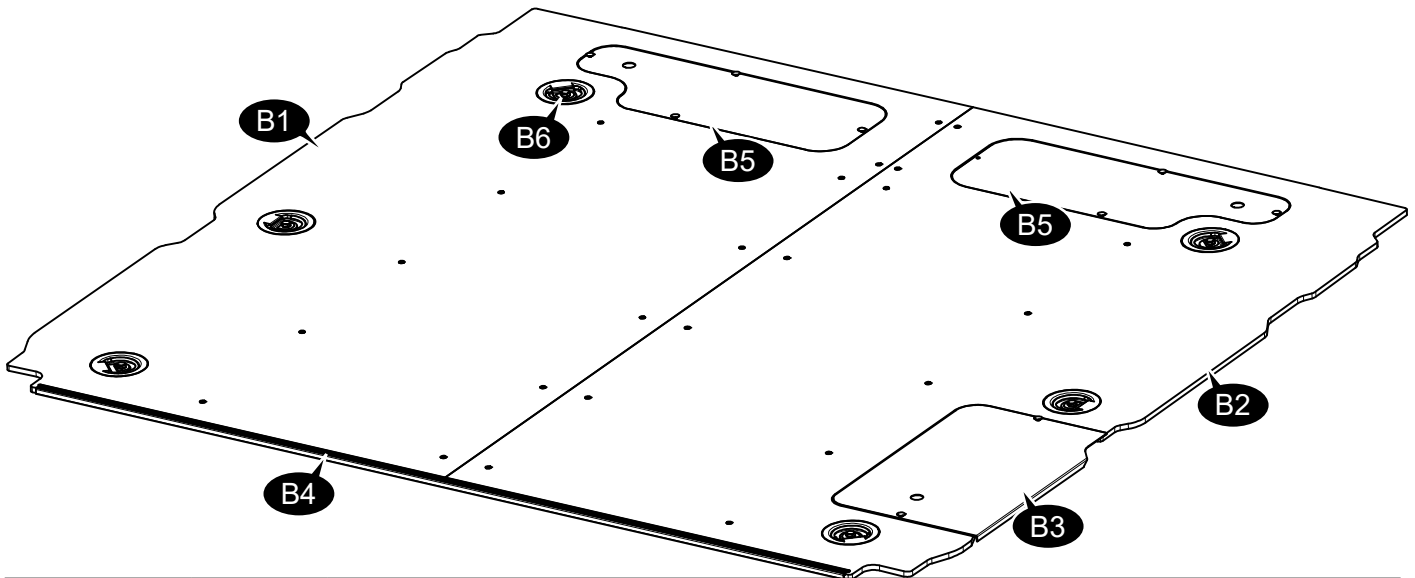
	<p>PH 2</p> <p>Torx Bits: T30</p> 		
<p>10-13 mm</p> 	<p>10-13 mm</p> 		
			

## 15017000 Kit Complete Dodge Ram 2019



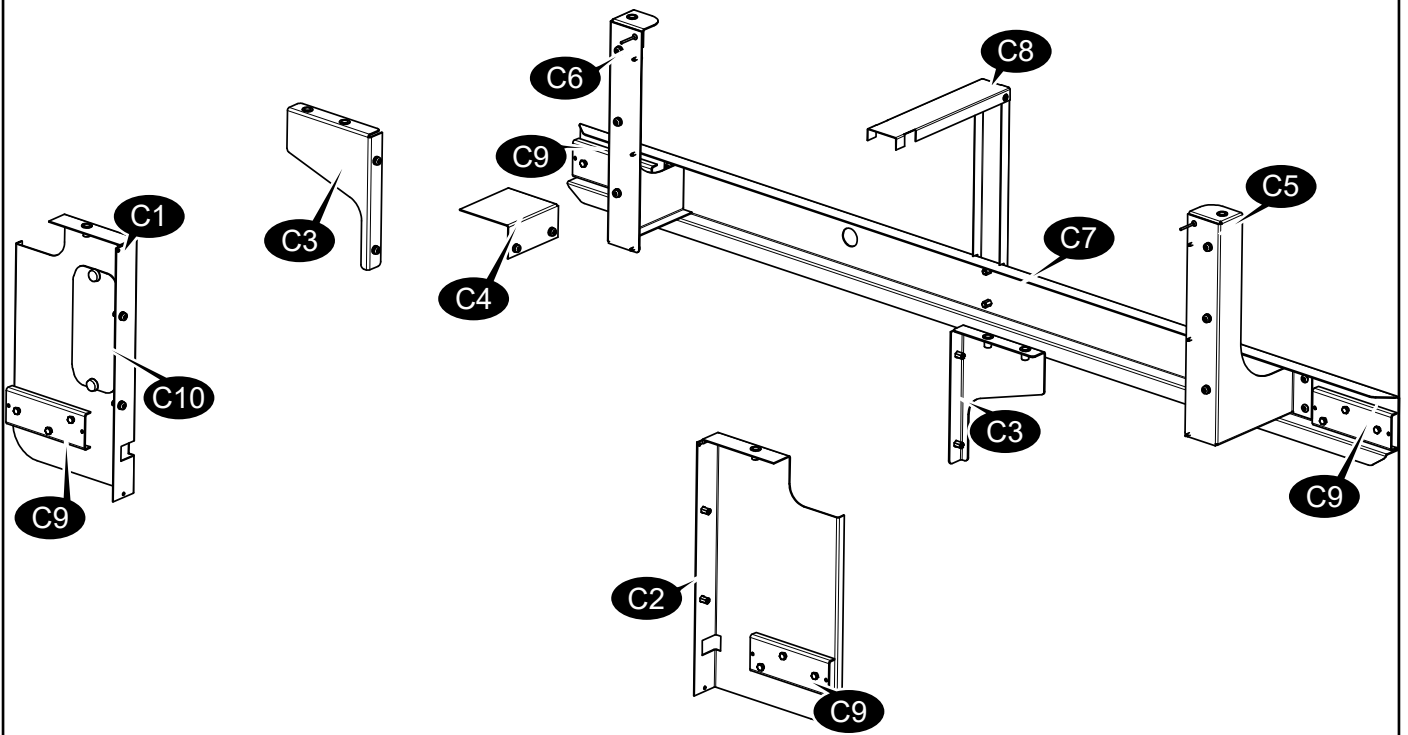
Item	Quantity	Part Number	Description
A	1	15019300	RD Rear Drawer Complete ASSY
B	1	15017293	Floor Set SF Ram 2019
C	1	15017290	Steelbracket Set SF Ram 2019
D	1	15010236	Handle ASSY
E	1	15016996	Cover Drawer Front SF Ram 2019

## 15017293 Floor Set Ram Pickup 2019



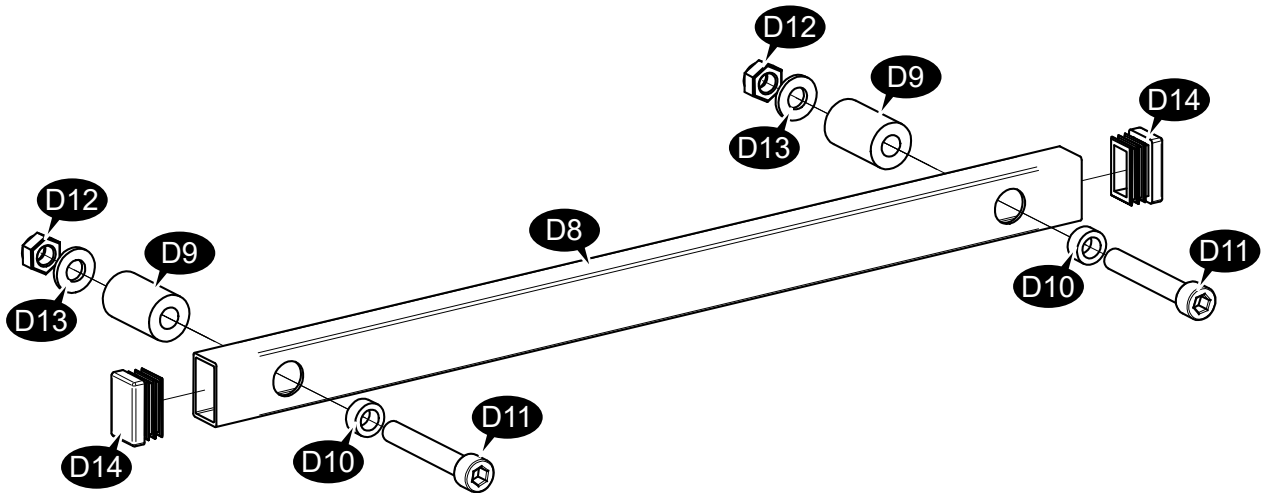
Item	Quantity	Part Number	Description
B1	1	15017282	Floor SF Left Side 9mm Ram 2019
B2	1	15017283	Floor SF Right Side 9mm Ram 2019
B3	1	15017285	Hatch Floor Rear Right SF Ram 2019
B4	2	15017291	U-Profile 9mm L=1509
B5	1	15017286	Hatch Floor Front SF Ram 2019
B6	1	15017292	Fitting Kit Floor Set SF Ram 2019

## 15017290 Steelbracket Set SF Ram 2019



Item	Quantity	Part Number	Description
C1	1	15017275	Bracket Rear Left SF Ram 2019 ASSY
C2	1	15017273	Bracket Rear Right SF Ram 2019 ASSY
C3	2	15013166	Bracket Middle w LAtch Flexi ASSY
C4	1	15017281	Bracket Hatchbox SF Ram 2019 ASSY
C5	1	15017272	Bracket Front Right SF Ram 2019 ASSY
C6	1	15017278	Bracket Front Left SF Ram 2019 ASSY
C7	1	15017299	Front Profile Latches Ram 2019 ASSY
C8	1	15017284	Floor Support Front Middle Ram 2019
C9	4	15016999	Bracket Latch Inner Front SF Ram 2019
C10	1	15016940	Hatch Tube Channel 80x160 Pickup 2019
C11		15017289	Fitting Kit Steelbracket Set SF Ram 2019

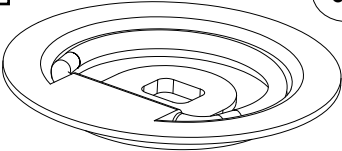
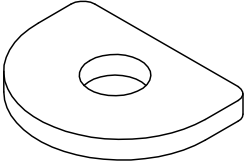
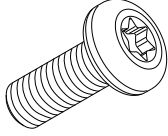
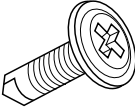
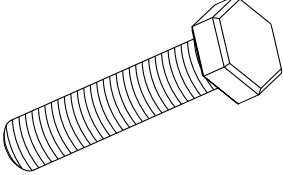
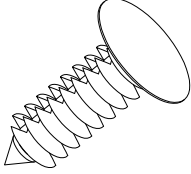
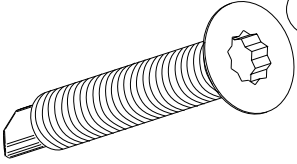
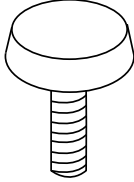

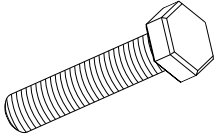
## 15010236 Handle Assy



### 15010236 Handle Assy

Item	Quantity	Part Number	Description
D8	1	15009441	Handle Tube 25x15x286
D9	2	15009442	Spacer Ø8,3x18x30 Nylon Black
D10	2	15009443	Spacer Ø8,1x13x6mm Galv
D11	2	15009444	Screw M8x50 Cylinderh Hex
D12	2	8 NMU	Mutter M8 Nyloc DIN985
D13	2	8,4x17x2	M8 Washer, DIN 125
D14	2	15009438	End Plug Tube 25x15 Inside

## Fitting Kit

<b>F1</b> <span style="float: right; border: 1px solid black; border-radius: 50%; padding: 2px;">6x</span>  15005497 Latch Cup Black Ø90 Ø12x15 1000Kp	<b>F2</b> <span style="float: right; border: 1px solid black; border-radius: 50%; padding: 2px;">6x</span>  15005884 Washer Latchcup for Ø8	<b>F3</b> <span style="float: right; border: 1px solid black; border-radius: 50%; padding: 2px;">20x</span>  15003551 M6x16 TX30 pan (DIN 7985)
<b>F4</b> <span style="float: right; border: 1px solid black; border-radius: 50%; padding: 2px;">8x</span>  4,2x16 FL Screw Selfdrill Flath Elz	<b>F5</b> <span style="float: right; border: 1px solid black; border-radius: 50%; padding: 2px;">6x</span>  6x40 6KS Bolt Black, DIN 933	<b>F6</b> <span style="float: right; border: 1px solid black; border-radius: 50%; padding: 2px;">10x</span>  Sort Plastpropp Black FTB
<b>F7</b> <span style="float: right; border: 1px solid black; border-radius: 50%; padding: 2px;">24x</span>  15016947 Screw 4,8x25 Selfdrill Counters Torx Elz	<b>F8</b> <span style="float: right; border: 1px solid black; border-radius: 50%; padding: 2px;">2x</span>  M6x20 Ø20 Rattskrue M6x20 Knob	<b>F9</b> <span style="float: right; border: 1px solid black; border-radius: 50%; padding: 2px;">6x</span>  225 085 6516 Gummikloss 12x12x5 sort m tape
<b>F10</b> <span style="float: right; border: 1px solid black; border-radius: 50%; padding: 2px;">14x</span>  6x30 6KS Bolt Black, DIN 933	<b>F11</b>	<b>F12</b>
<b>F13</b>	<b>F14</b>	<b>F15</b>
<b>F16</b>	<b>F17</b>	<b>F18</b>
<b>F19</b>	<b>F20</b>	<b>F21</b>

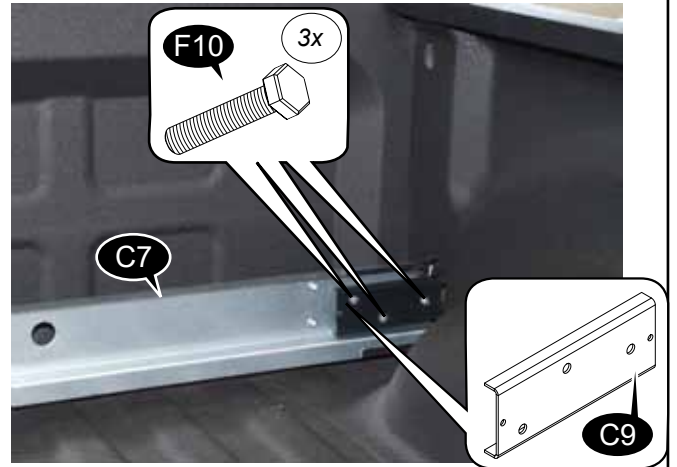
1.

L&R



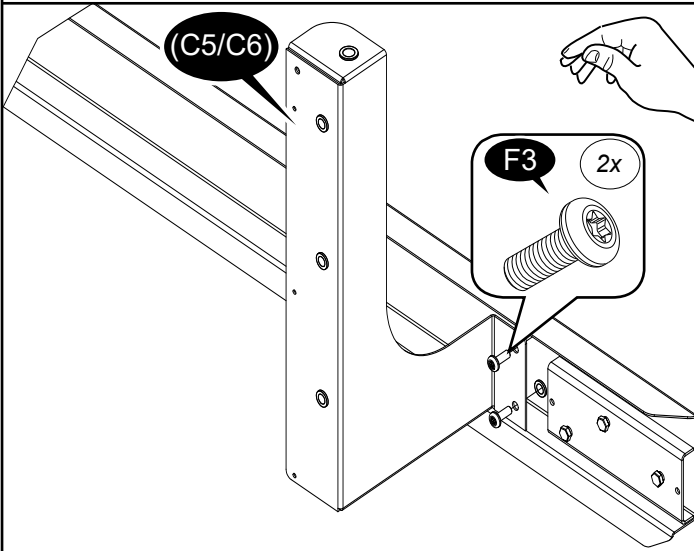
2.

L&R



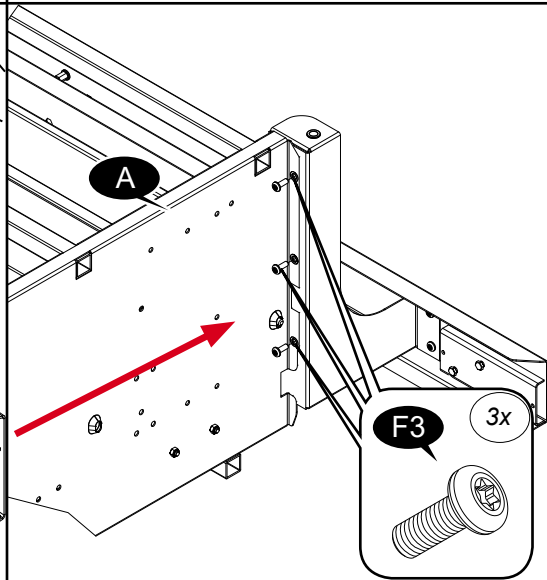
3.

L&R



4.

L&R

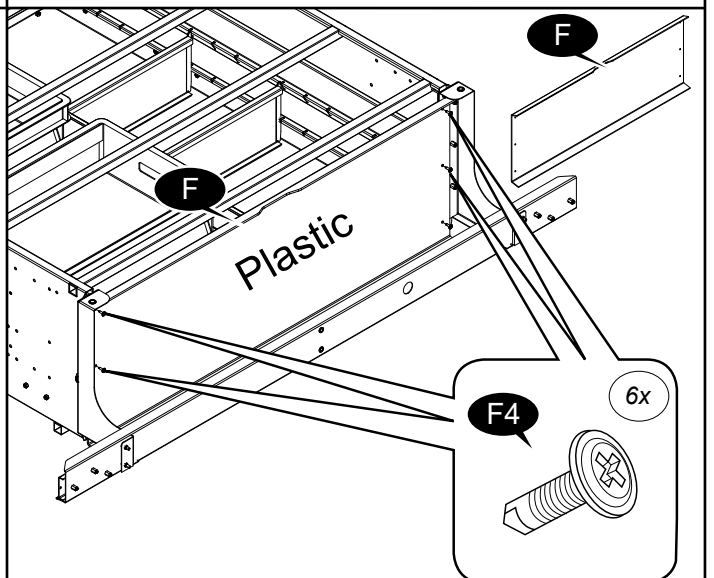


5.

L&R

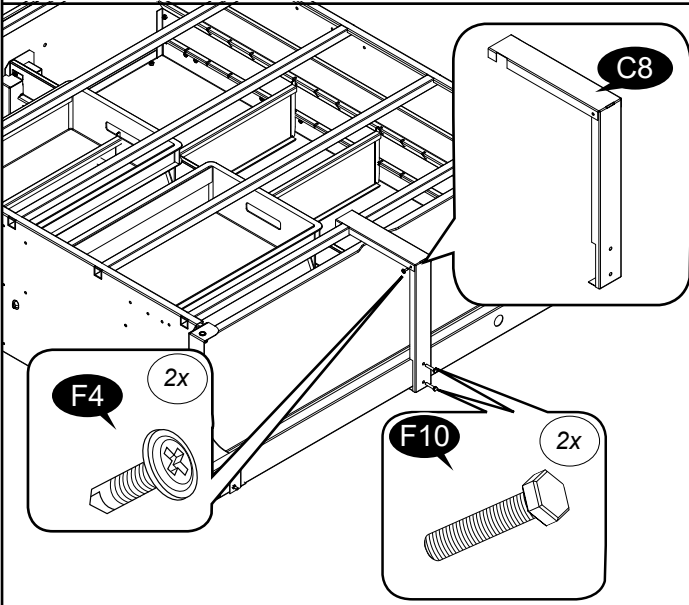
Tighten Step 2 and 3

6.

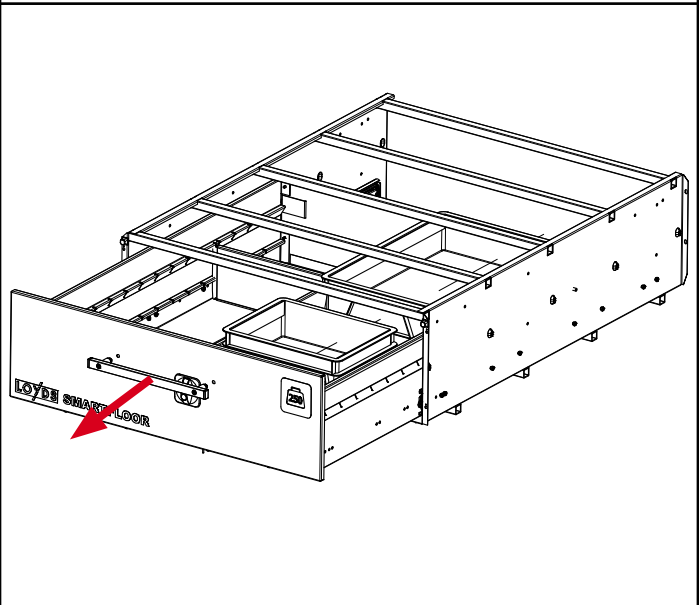




7.

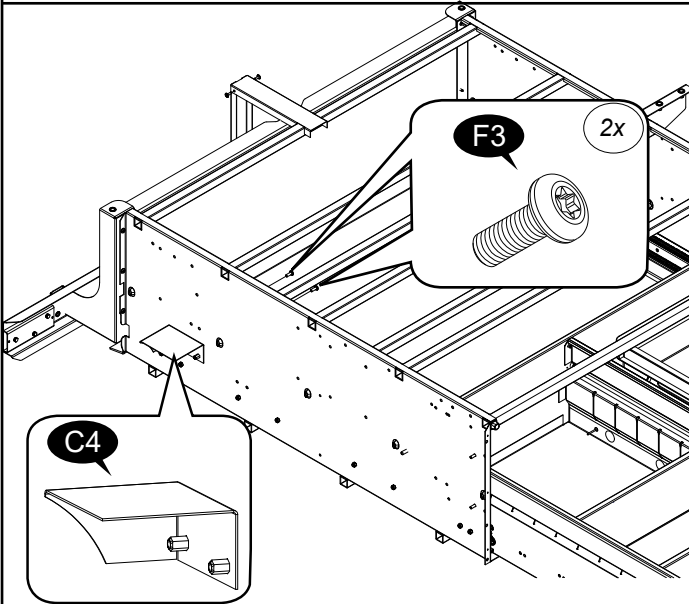


8.



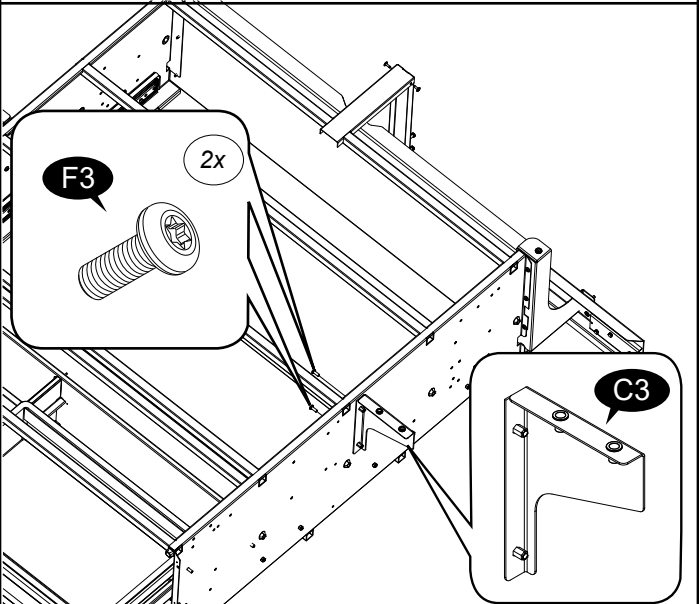
9.

LH



10.

L&R



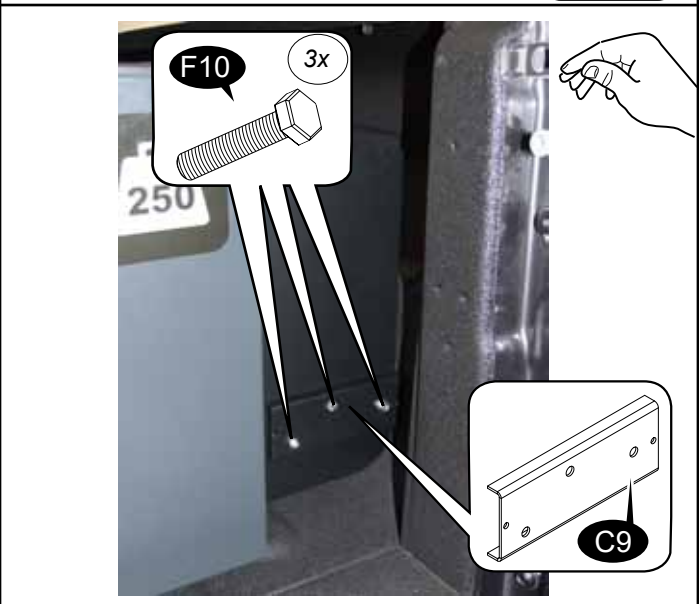
11.

L&R



12.

L&R



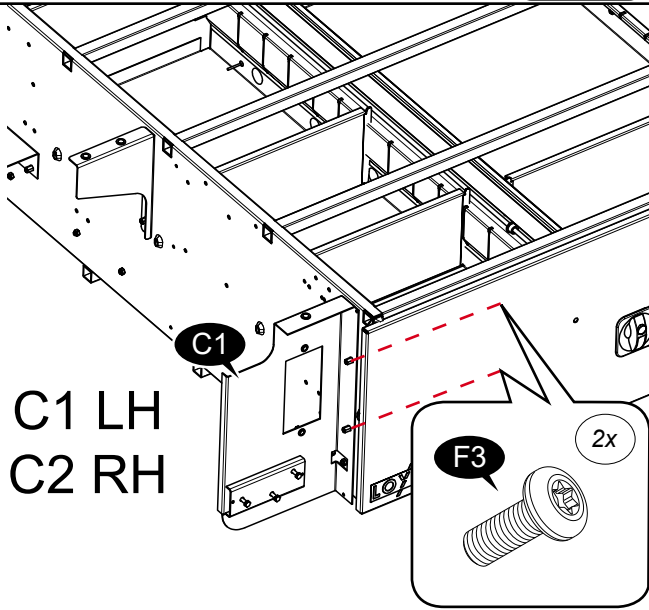


13.

L&R

14.

L&R

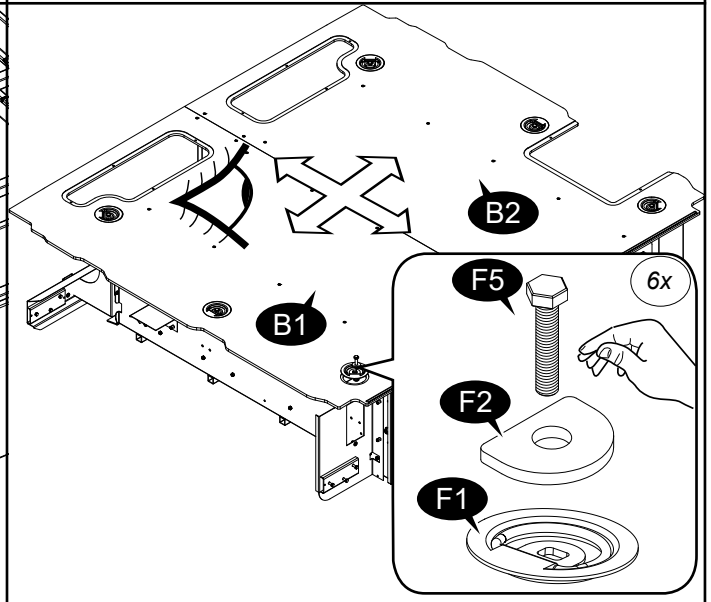
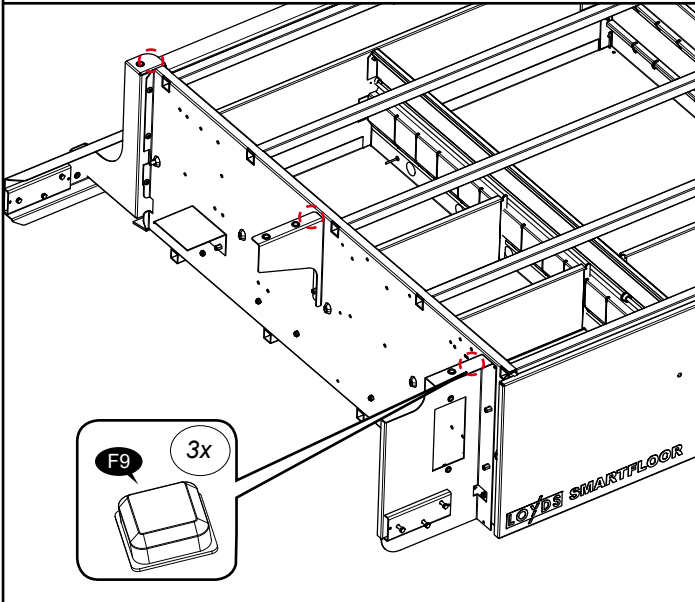


Tighten Step 12.

15.

L&R

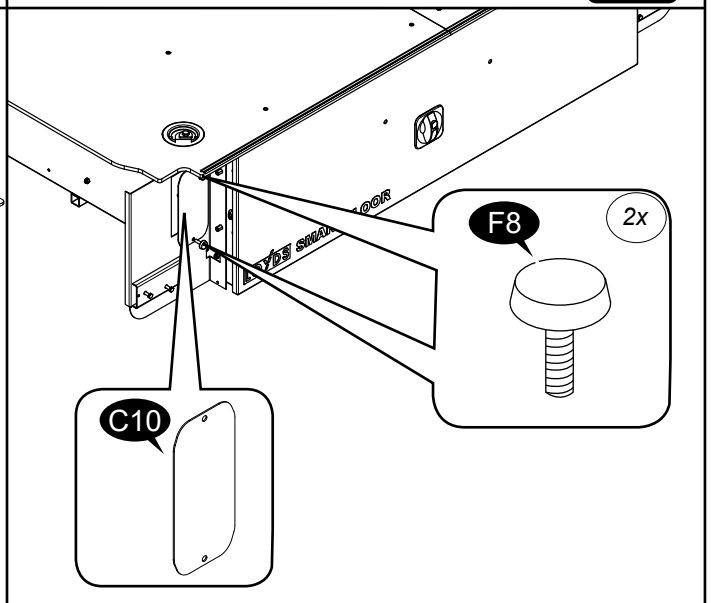
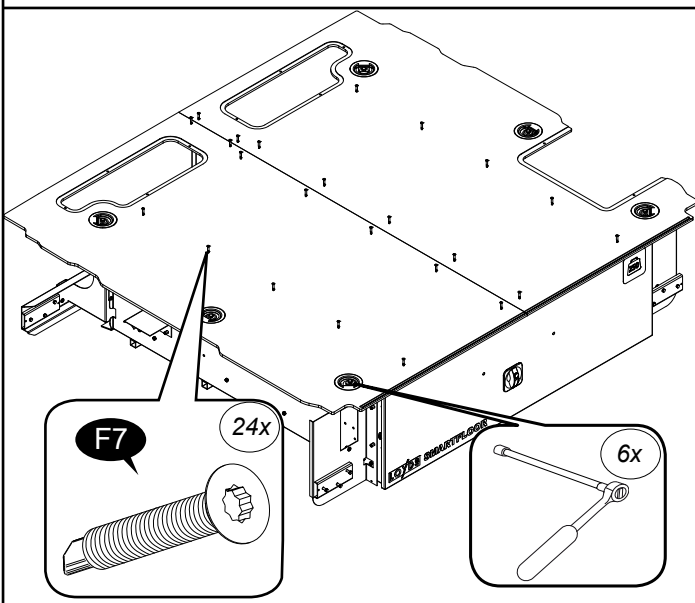
16.



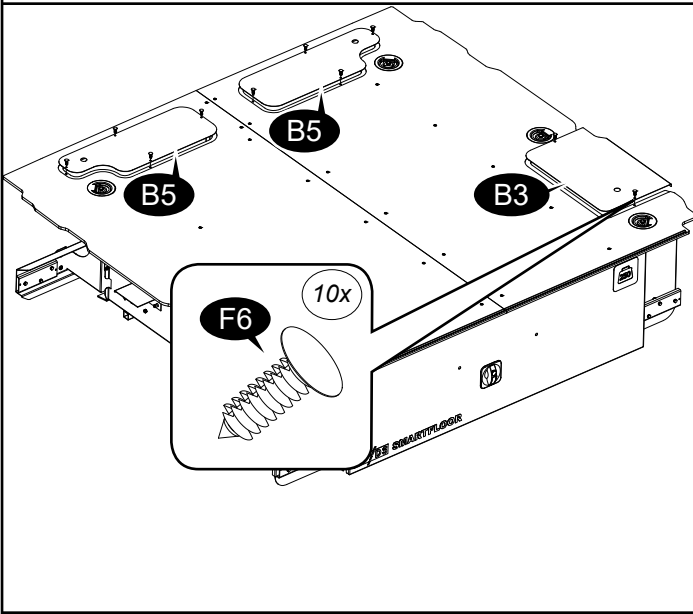
17.

18.

LH



19.



20.

