

Messer CSG-4 snow generator.

For safe, controlled combo bin snowing.



Benefits

- Produces granular CO₂ snow vs. pellets for more effective chilling
- LVSH snow horns dispense a gentle output of snow
- Produces on demand the precise amount of snow needed
- Efficient use of CO₂ lowers operating costs
- Eliminates the space required by dry ice bins and CO₂ gas associated with the filled bins
- Built-in plenum to safely exhaust gases
- Simple integration with existing CO₂ tank

Key features

Messer's CO₂ snow generator is a simple, cost-effective method to control product temperature in your processing or storage and handling operations. The ability to produce dry ice on an on demand or scheduled basis allows for the

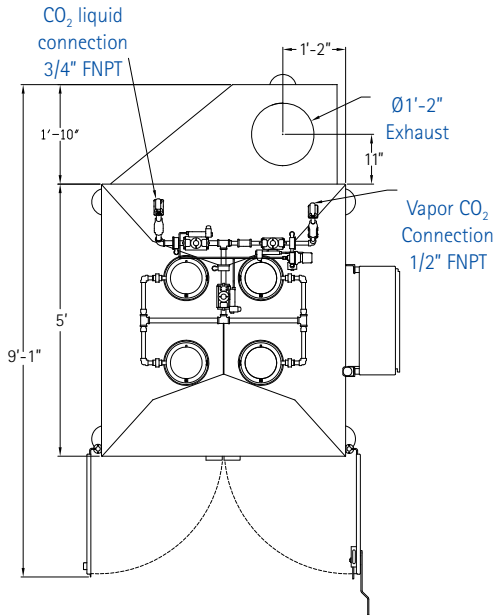
elimination of dry ice purchases and storage requirements. The Messer CO₂ snow horn generator deposits CO₂ snow at a low velocity into various types of open containers including cardboard and plastic combo bins. The generator consists of four Model LVSH-7 snow horns and an integral exhaust enclosure; which acts as a safer alternative than a traditional dry ice storage bin.

The LVSH-7 snow horns deliver granular snow without costly CO₂ loss due to snow blowout sometimes encountered with conventional snow horns. Their stainless steel, compact, low velocity design efficiently and uniformly distributes CO₂ snow.

Operation

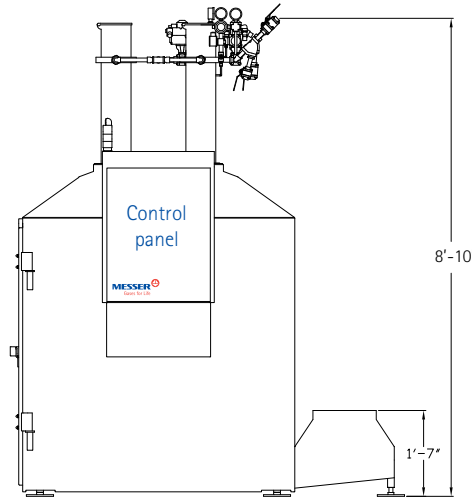
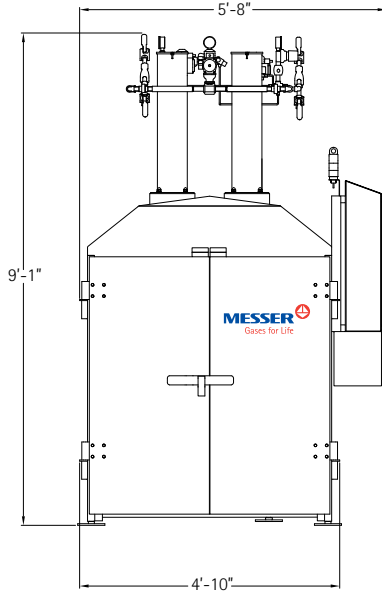
After the combo bin is rolled into place within the snow generator, the desired time of production can be entered, and the snow is generated. Once the bin is filled with snow, the combo bin is removed and sent to a downstream processing area. The snow generation cycle can then be repeated.

A control panel is included which includes a CO₂ timer for accurate snow production and the capability to manually or automatically control the exhaust blower to safely remove CO₂ vapor.



Specifications

Materials of construction	Type 304 stainless steel
External dimensions	6'10" L x 5'0" W x 9'1" H
Internal dimensions	4'7" L x 3'9" W x 5'1" H
Power requirements	3 phase, 480V/60 Hz/20A
Weight	1,000 lbs
Maximum capacity	3,600 lb CO ₂ Snow/hr to 13,000 lb CO ₂ Snow/hr



Messer North America, Inc.

200 Somerset Corporate Blvd
Suite 7000
Bridgewater, NJ 08807
Phone: 1-800-755-9277
sales@messer-us.com
www.messer-us.com



Part of the Messer World

Copyright 2019. Messer North America, Inc. All rights reserved.