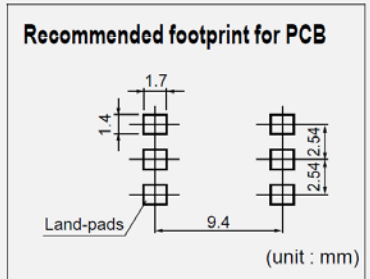
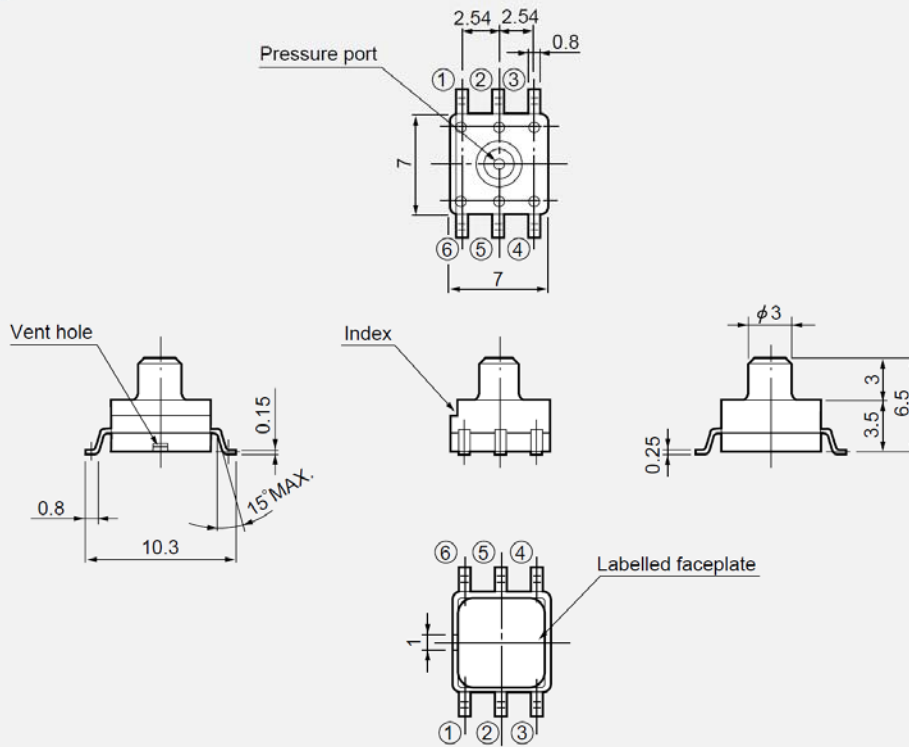


■ Outline dimensions ■

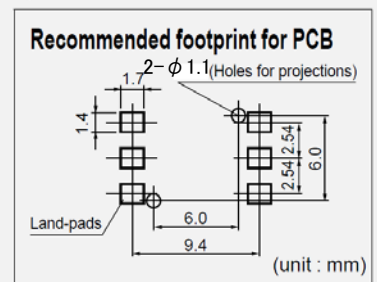
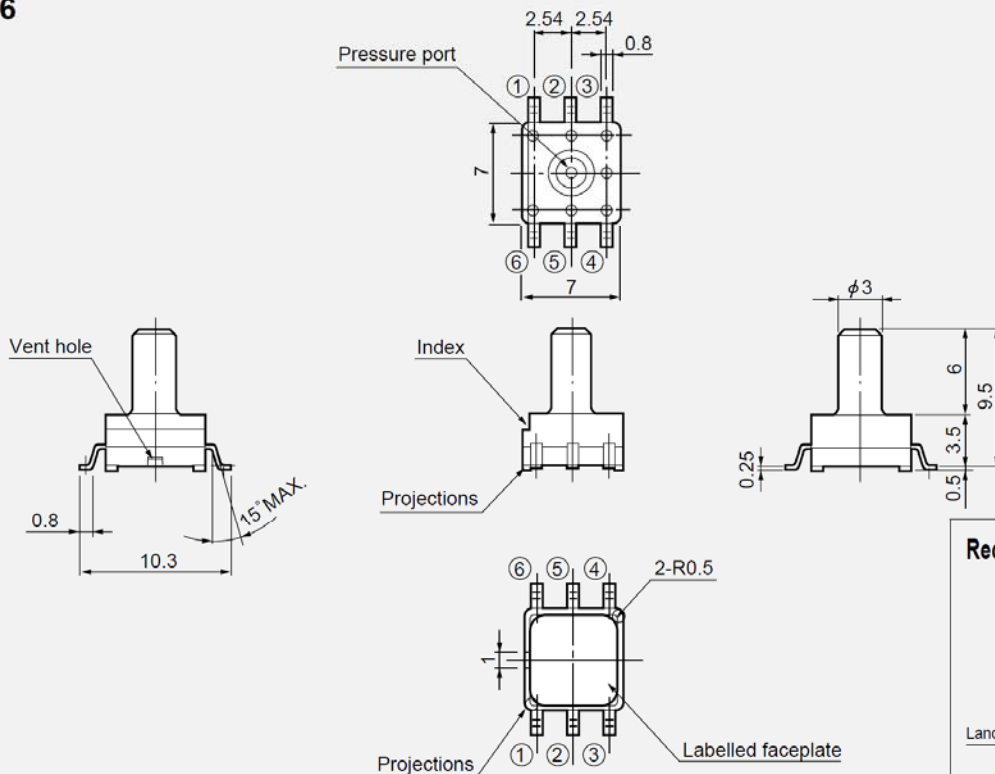
XFGM-3

unit : mm

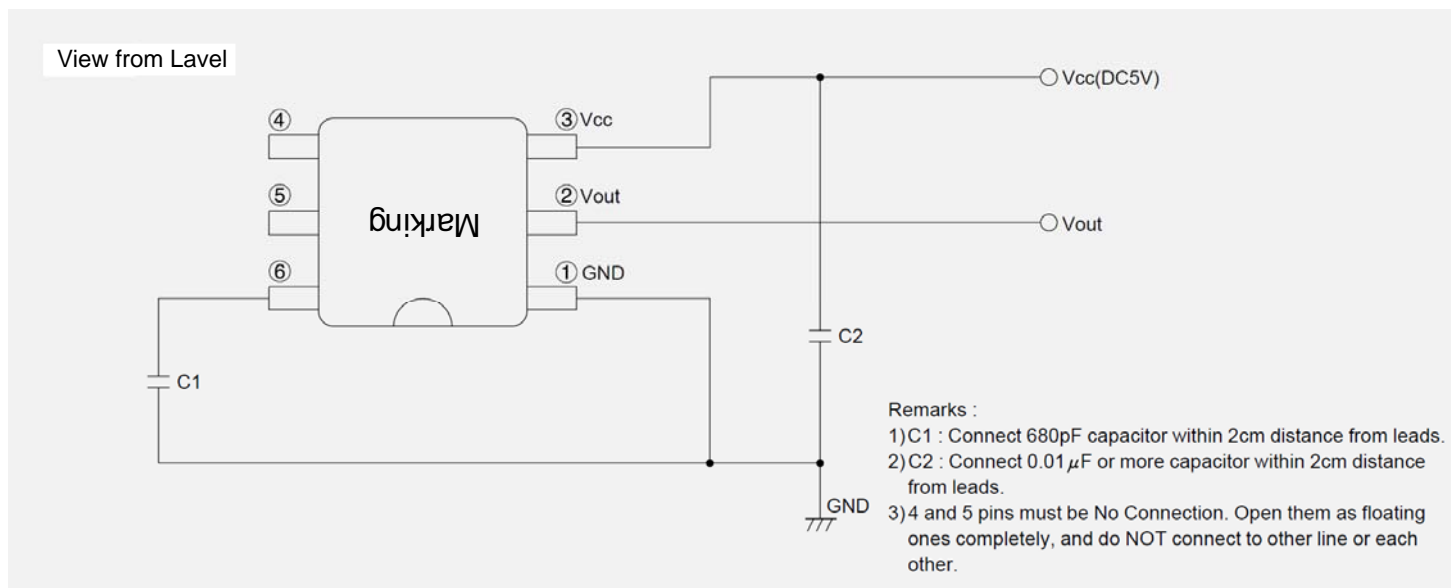


XFGM-6

unit : mm



■ Connection diagram ■



■ Transfer Function ■

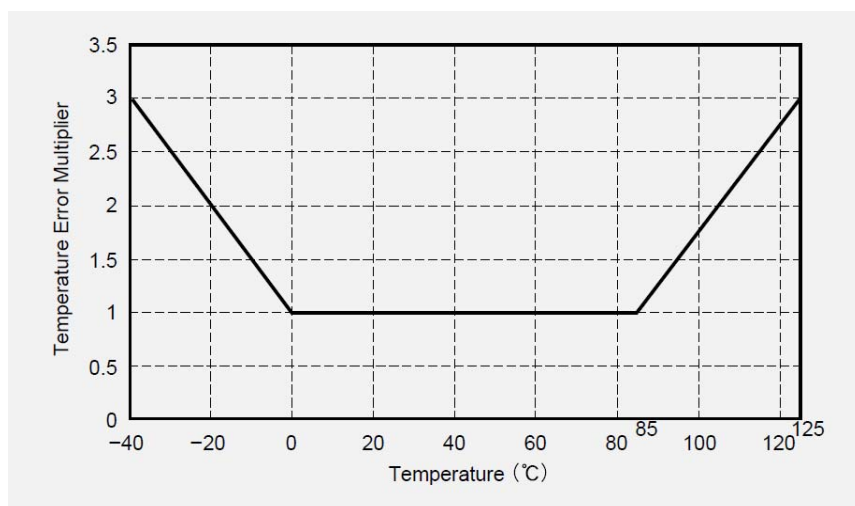
$$V_{out} = V_s \times (P \times \alpha + \beta) \pm (\text{Pressure Error} \times \text{Temperature Error Multiplier} \times \alpha \times V_s)$$

$$V_s = V_{cc} = 5.0V$$

$$P = \text{Input pressure (kPa)}$$

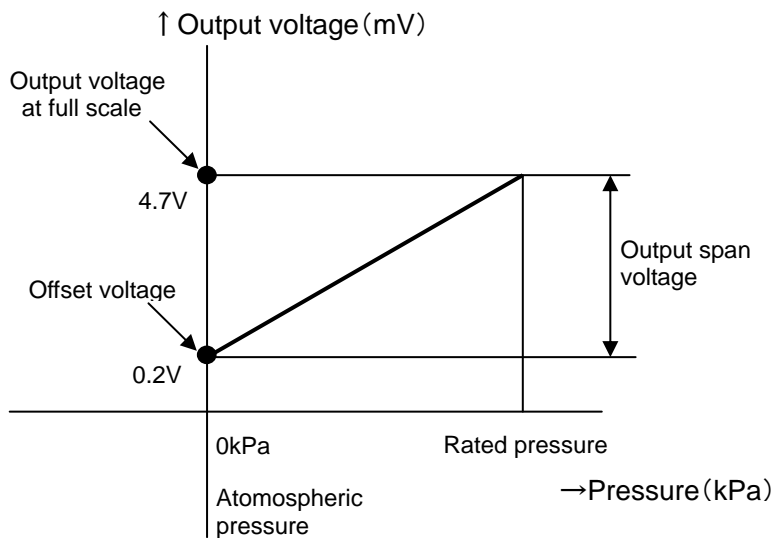
Model		Measurable pressure range(kPa)	α	β	Pressure Error (kPa)
XFGM-3100KPGWSR	XFGM-6100KPGWSR	-100~100	0.0045	0.49	5
XFGM-3100KPGVSR	XFGM-6100KPGVSR	0~-100	-0.008	0.04	2.5
XFGM-3025KPGSR	XFGM-6025KPGSR	0~25	0.036	0.04	0.625
XFGM-3050KPGSR	XFGM-6050KPGSR	0~50	0.018	0.04	1.25
XFGM-3100KPGSR	XFGM-6100KPGSR	0~100	0.009	0.04	2.5
XFGM-3200KPGSR	XFGM-6200KPGSR	0~200	0.0045	0.04	5
XFGM-3001MPGSR	XFGM-6001MPGSR	0~1000	0.0009	0.04	25

Temperature Error Multiplier

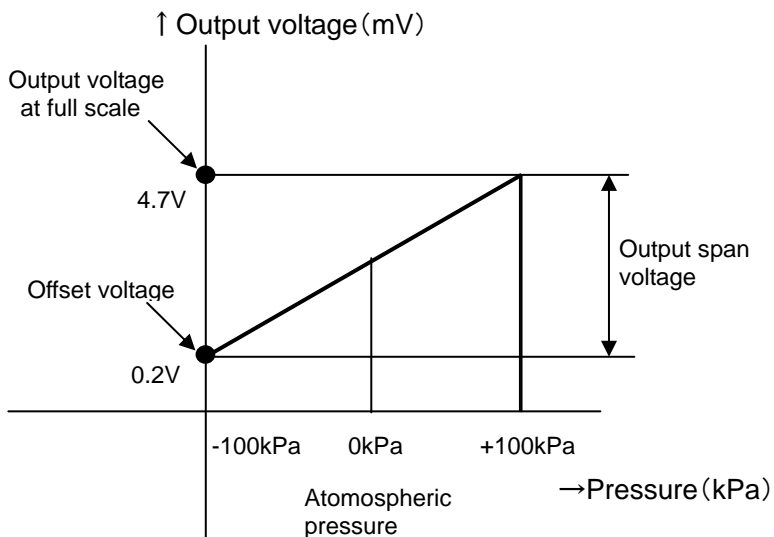


■ Output characteristics ■

XFGM-3100KPGVSR	XFGM-6100KPGVSR
XFGM-3025KPGSR	XFGM-6025KPGSR
XFGM-3050KPGSR	XFGM-6050KPGSR
XFGM-3100KPGSR	XFGM-6100KPGSR
XFGM-3200KPGSR	XFGM-6200KPGSR
XFGM-3001MPGSR	XFGM-6001MPGSR



XFGM-3100KPGWSR	XFGM-6100KPGWSR
-----------------	-----------------



Note ; Please read instruction “Notes” before using the sensor.
 Fujikura reserves the right to change specifications without notice.

If you have any questions regarding technical issues or specifications, please contact us.
 Sensor Engineering Department 5-1 Kiba 1-chome, Koto-ku, Tokyo 135-8512, Japan
 Phone +81-(0)3-5606-1072
 E-mail : sensor@fujikura.co.jp